

OPERATOR PARAMETERS	
Parameters	Settings (Default Value)
Select Option Select Option>> <input type="text" value="None"/> <i>(Available only when a Pen Drive is attached to the USB socket)</i>	None Copy (New) Re-copy (Old) Recover (Default : None)

RELAY CONFIGURATION	
Parameters	Settings (Default Value)
Relay-1 Logic RELAY-1 LOGIC >> <input type="text" value="Normal"/>	Normal Reverse (Default : Normal)
Relay-2 Logic RELAY-2 LOGIC >> <input type="text" value="Normal"/>	Normal Reverse (Default : Normal)

Parameters	Settings
Parity PARITY >> <input type="text" value="Even"/>	None Even Odd (Default : Even)
Pause Time PAUSE TIME >> <input type="text" value="0.1"/>	0.1 to 5.0 Sec. (Default : 0.1 Sec)
Response Time RESPONSE TIME >> <input type="text" value="0.3"/>	0.3 to 3.0 Sec. (Default : 0.3 Sec.)

UTILITIES	
Parameters	Settings
Master Lock Enable / Disable LOCK >> <input type="text" value="No"/>	No Yes (Default : No)
UNLOCK >> <input type="text" value="No"/>	

SUPERVISORY CONFIGURATION	
DEVICE CONFIGURATION	
Parameters	Settings (Default Value)
'Status-Off' String STATUS OFF STR >> <input type="text" value="--"/>	-- No Off (Default : --)
Delete Records DELETE RECORDS >> <input type="text" value="No"/>	No Yes (Default : No)
Scan Rate SCAN RATE >> <input type="text" value="3"/>	1 Sec. to 99 Sec. (Default : 3 Sec.)
Recorder ID RECORDER ID >> <input type="text" value="1"/>	1 to 127 (Default : 1)
Total Devices TOTAL DEVICE >> <input type="text" value="1"/>	Up to 25 (Default : 1)
Select Device SELECT DEVICE >> <input type="text" value="1"/>	1 to Total Devices
PV Resolution PV RESOLUTION >> <input type="text" value="Not Applicable"/>	Not Applicable 1, 0.1, 0.01 0.001, 0.0001 (Default : Not Applicable)
Device ID DEVICE ID >> <input type="text" value="1"/>	1 to 127 (Default : 1)

RECORDER CONFIGURATION	
Parameters	Settings (Default Value)
Normal Interval NORMAL INTERVAL >> <input type="text" value="5.00"/>	0.02 to 150.00 (MM:SS) (Default : 5.00)

CONFIGURATION MODE	
Parameters	Settings
Configuration Mode CONFIG MODE >> <input type="text" value="No"/>	No Yes (Default : No)

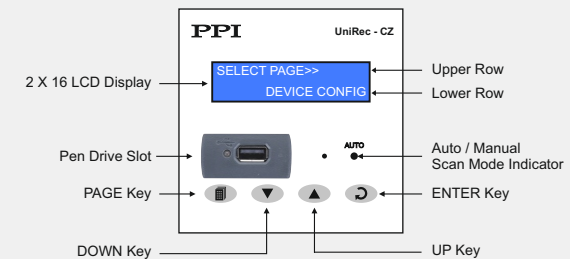
EXIT	
Parameters	Settings
Exit Setup Mode EXIT >> <input type="text" value="No"/>	No Yes (Default : No)

RTC SETTING	
Parameters	Settings
Set Clock Time (HH:MM) TIME (HH:MM) >> <input type="text" value="15:53"/>	0.0 to 23:59
Set Calendar Date DATE >> <input type="text" value="23"/>	1 to 31
Set Calendar Month MONTH >> <input type="text" value="11"/>	1 to 12
Set Calendar Year YEAR >> <input type="text" value="2025"/>	2000 to 2099

SERIAL SETTING	
Parameters	Settings
FC Ignore FC IGNORE >> <input type="text" value="No"/>	No Yes (Default : No)
Baud Rate BAUD RATE >> <input type="text" value="9600"/>	2400, 4800, 9600, 14400, 19200, 38400, 57600 (Default : 9600)

- Ignore these parameters.
- Do not alter the values.
- Will be removed in the next firmware version.

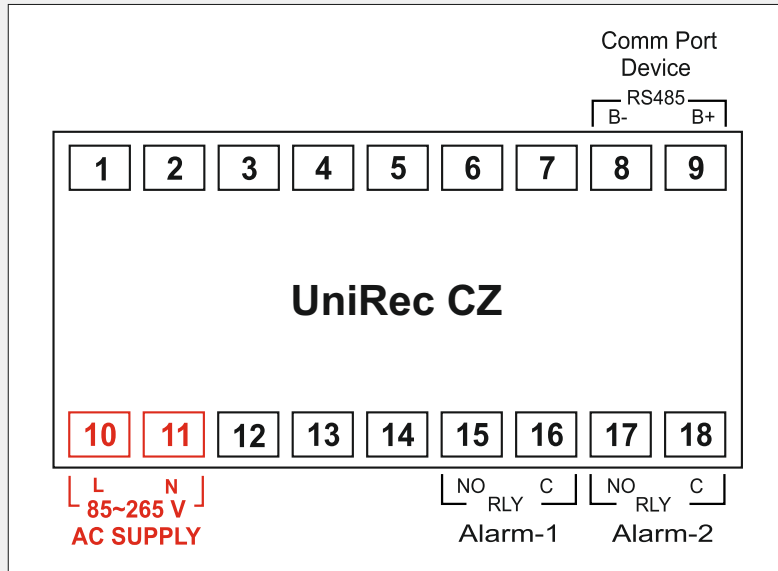
FRONT PANEL LAYOUT



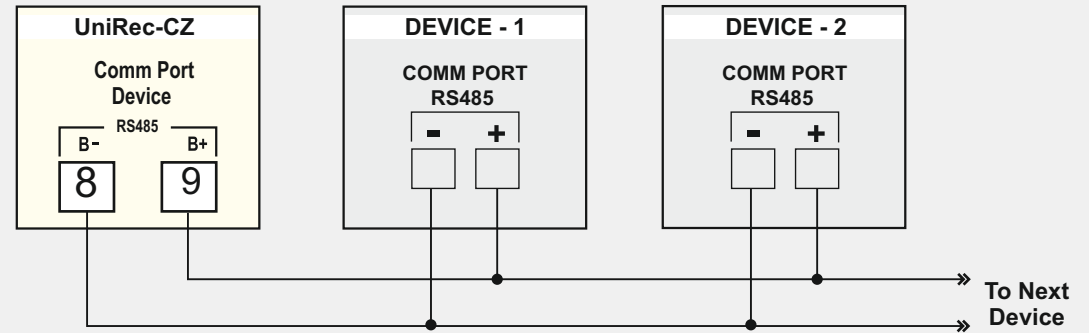
Keys Operation

Symbol	Key	Function
	PAGE	Press to enter or exit set-up mode.
	DOWN	Press to decrease the parameter value. Pressing once decreases the value by one count; holding pressed speeds up the change.
	UP	Press to increase the parameter value. Pressing once increases the value by one count; holding pressed speeds up the change.
	ENTER	Press to store the set parameter value and to scroll to the next parameter on the PAGE.

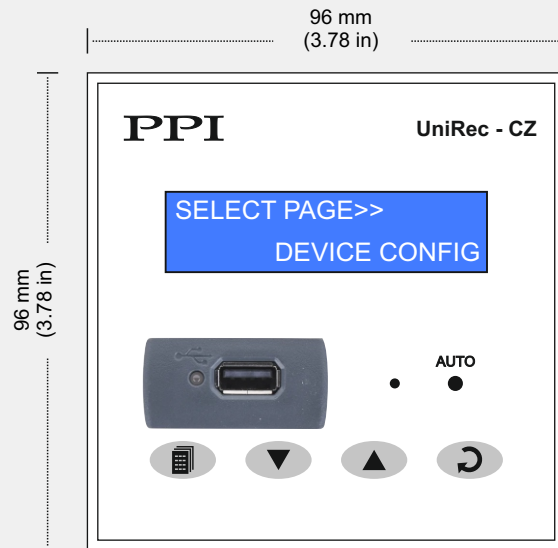
ELECTRICAL CONNECTIONS



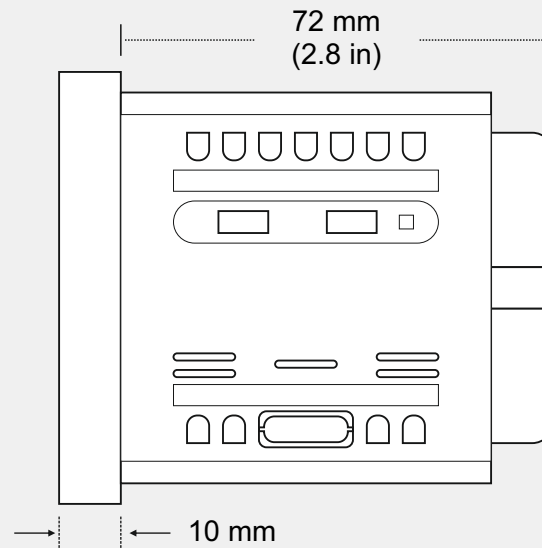
RS485 NETWORK : BACK-END DEVICES



DIMENSIONS AND PANEL CUTOUT



Front View



Side View

