

Zenex Plus 96

Multi-Purpose Temperature Controller with Graphic Display

Operation Manual

This brief manual is primarily meant for quick reference to wiring connections and parameter searching. For more details on operation and application; please log on to www.ppiindia.net

PPI

101, Diamond Industrial Estate, Navghar, Vasai Road (E), Dist. Palghar - 401 210.
Sales : 8208199048 / 8208141446
Support : 07498799226 / 08767395333
E: sales@ppiindia.net, support@ppiindia.net

Jan 2026

| OPERATOR PAGE PARAMETERS | |
|--------------------------|--|
| Parameters | Settings (Default Value) |
| Timer Start >> | Yes |
| Timer Abort >> | No (Default : No) |
| Time Interval (H:M) >> | 0.01 to 249.59 (HH:MM) (Default : 0.10) |
| Ctrl Set Value >> | Setpoint LO limit to Setpoint HI limit (Default : 25.0) |
| LO Deviation >> | 0.2 to 99.9 (Default : 2.0) |
| HI Deviation >> | 0.2 to 99.9 (Default : 2.0) |
| Change Password >> | No Yes (Default : No) |
| New Password >> | 0 to 3000 (Default : 0) |

| SUPERVISORY > SERIAL COMM | |
|---------------------------|--|
| Parameters | Settings (Default Value) |
| Device Id >> | 1 to 127 (Default : 1) |
| Baud Rate >> | 9600, 19200, 38400 (Default : 9600) |
| Parity >> | None, Even, Odd (Default : Even) |
| Serial Write >> | No Yes (Default : Yes) |

| SUPERVISORY > SENSOR INPUT | |
|----------------------------|----------------------------------|
| Parameters | Settings (Default Value) |
| Zero Offset >> | -50.0 to 50.0 (Default : 0.0) |

| SUPERVISORY > CONTROL | |
|-----------------------|---|
| Parameters | Settings (Default Value) |
| Tune >> | Yes No (Default : No) |
| Setpoint LO Limit >> | Sensor Min Range to Setpoint HI Limit (Default : Sensor Min Range) |
| Setpoint HI Limit >> | Setpoint LO Limit to Sensor Max Range (Default : Sensor Max Range) |
| Compressor SP >> | 0.0 to 100.0 (Default : 45.0) |
| Compressor Hyst >> | 0.1 to 99.9 (Default : 2.0) |
| Heat Ctrl Action >> | ON-OFF PID (Default : PID) |
| Heat Hyst >> | 0.1 to 99.9 (Default : 0.2) |

| Heat Only Control | Heat + Cool Control Zone : Single | Heat + Cool Control Zone : Dual |
|---|---|--|
| Proportional Band >> 0.1 to 999.9 (Default : 50.0) | Proportional Band >> 0.1 to 999.9 (Default : 50.0) | Cz Prop Band >> Proportional Band for Heat Pre-dominant zone 0.1 to 999.9 (Default : 50.0) |
| Integral Time >> 0 to 3600 sec (Default : 100 sec) | Integral Time >> 0 to 3600 sec (Default : 100 sec) | Cz Integral Time >> Integral Time for Cool Pre-dominant zone 0 to 3600 sec (Default : 100 sec) |
| Derivative Time >> 0 to 600 sec (Default : 16 sec) | Derivative Time >> 0 to 600 sec (Default : 16 sec) | Cz Derivative Time >> Derivative Time for Cool Pre-dominant zone 0 to 600 sec (Default : 16 sec) |

| Heat Only Control | Heat + Cool Control Zone : Single | Heat + Cool Control Zone : Dual |
|---|---|--|
| — | — | Hz Prop Band >> Proportional Band for Heat Pre-dominant zone 0.1 to 999.9 (Default : 50.0) |
| — | — | Hz Integral Time >> Integral Time for Heat Pre-dominant zone 0 to 3600 sec (Default : 100 sec) |
| — | — | Hz Derivative Time >> Derivative Time for Heat Pre-dominant zone 0 to 600 sec (Default : 16 sec) |
| Cycle Time >> 0.5 to 100.0 sec (Default : 10.0 sec) | Cycle Time >> 0.5 to 100.0 sec (Default : 10.0 sec) | Cycle Time >> 0.5 to 100.0 sec (Default : 10.0 sec) |
| Power Low >> 0 to 100% (Default : 0%) | Power Low >> 0 to 100% (Default : 0%) | Power Low >> 0 to 100% (Default : 0%) |
| Power High >> 0 to 100% (Default : 100%) | Power High >> 0 to 100% (Default : 100%) | Power High >> 0 to 100% (Default : 100%) |
| Overshoot Inhibit >> Enable Disable (Default : Disable) | Overshoot Inhibit >> Enable Disable (Default : Disable) | Overshoot Inhibit >> Enable Disable (Default : Disable) |
| Cutoff Factor >> 1.0 to 2.0 sec (Default : 1.2 sec) | Cutoff Factor >> 1.0 to 2.0 sec (Default : 1.2 sec) | Cutoff Factor >> 1.0 to 2.0 sec (Default : 1.2 sec) |

SUPERVISORY > PASSWORD

| Parameters | Settings (Default Value) |
|--------------------|------------------------------|
| Change Password >> | No Yes (Default : No) |
| New Password >> | 0 to 3000 (Default : 123) |

FACTORY > SENSOR INPUT

| Parameters | Settings (Default Value) |
|-------------------|--|
| Input Type >> | Refer Table 1 (Default : RTD Pt100) |
| PV Filter Time >> | 0.5 to 60.0 (in steps of 0.5 sec.) (Default : 0.5) |

FACTORY > ALARM

| Parameters | Settings (Default Value) |
|---------------|--------------------------------|
| Hysteresis >> | 0.1 to 99.9 (Default : 0.2) |
| Inhibit >> | Yes No (Default : Yes) |

FACTORY > HEAT COOL SELECT

| Parameters | Settings (Default Value) |
|---------------------|--|
| Control Strategy >> | Heat Only Cool Only Heat + Cool (Default : Heat + Cool) |

Control Strategy : Cool Only

| Parameters | Settings (Default Value) |
|---------------------|--------------------------------------|
| Time Delay (sec) >> | 0 to 1000 Sec (Default : 200 Sec) |

| Control Strategy : Heat + Cool | | |
|--------------------------------------|--------------------------------------|---|
| Compressor Strategy >> | | CONT. OFF CONT. ON SP BASED PV BASED (Default : SP BASED) |
| CONT. ON | SP BASED | PV BASED |
| Time Delay (sec) >> | Boundary Set Value >> | Compressor SP >> |
| 0 to 1000 Sec (Default : 200 Sec) | 0.0 to 100.0 (Default : 45.0) | 0.0 to 100.0 (Default : 45.0) |
| | Control Zones >> | Time Delay (sec) >> |
| | Single Dual (Default : Single) | 0 to 1000 Sec (Default : 200 Sec) |
| | Time Delay (sec) >> | |
| | 0 to 1000 Sec (Default : 200 Sec) | |

| FACTORY > TIMER | | |
|------------------------|---|--|
| Parameters | Settings (Default Value) | |
| Enable >> | No Yes (Default : No) | |
| Start Band >> | 0 to 999.9 (Default : 0.5) | |
| Holdback Strategy >> | None Up Down Both (Default : None) | |
| Hold Band >> | 0.1 to 999.9 (Default : 0.5) | |
| Heat Off >> | No Yes (Default : No) | |
| Cool Off >> | No Yes (Default : No) | |
| Power-Fail Recovery >> | Abort Restart Continuous (Default : Restart) | |

FACTORY > DOOR MONITORING

| Parameters | Settings (Default Value) |
|-------------------------|--|
| Enable >> | Yes No (Default : No) |
| Switch Logic >> | Close : Door Open Open : Door Open (Default : Close : Door Open) |
| Door Alarm Dly (sec) >> | 0 to 1000 Sec (Default : 60 Sec) |

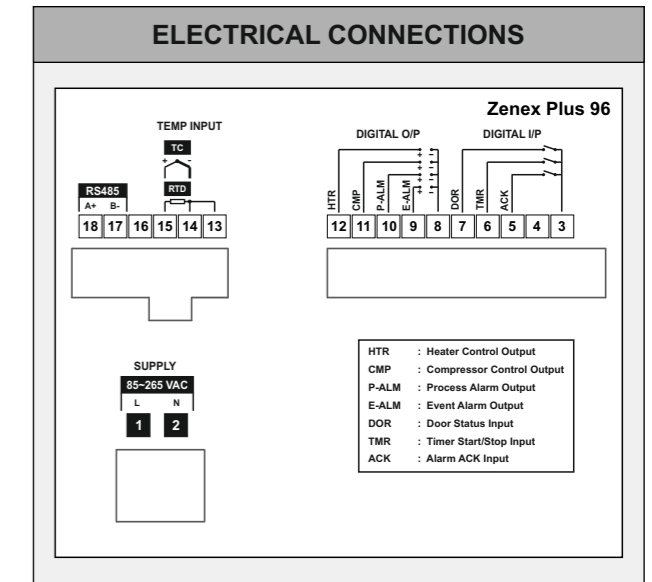
FACTORY > FACTORY DEFAULT

| Parameters | Settings (Default Value) |
|-------------------|-----------------------------|
| Set To Default >> | Yes No (Default : No) |

FACTORY > PASSWORD

| Parameters | Settings (Default Value) |
|--------------------|------------------------------|
| Change Password >> | No Yes (Default : No) |
| New Password >> | 0 to 3000 (Default : 321) |

| Option | Range (Min. to Max.) | Resolution & Unit |
|-----------|----------------------|-------------------|
| Type J | 0 to +960°C | 1 °C |
| Type K | -200 to +1376°C | |
| Type T | -200 to +387°C | |
| Type R | 0 to +1771°C | |
| Type S | 0 to +1768°C | |
| Type B | 0 to +1826°C | |
| Type N | 0 to +1314°C | 0.1 °C |
| Type E | -200 to +1000°C | |
| RTD Pt100 | -99.9 to +850.0°C | |



FRONT PANEL KEY

| Symbol | Key | Function (in Set-up Mode) |
|--------|-------|--|
| | PAGE | Press to enter or exit set-up mode. |
| | DOWN | Press to decrease the parameter value. Pressing once decreases the value by one count; keeping pressed speeds up the change. |
| | UP | Press to increase the parameter value. Pressing once increases the value by one count; keeping pressed speeds up the change. |
| | ENTER | Press to store the set parameter value and to scroll to the next parameter in setup mode. Can also be used as Alarm Acknowledgment in normal operation mode. |

Outer Dimension, Panel Cutout & Spacing

