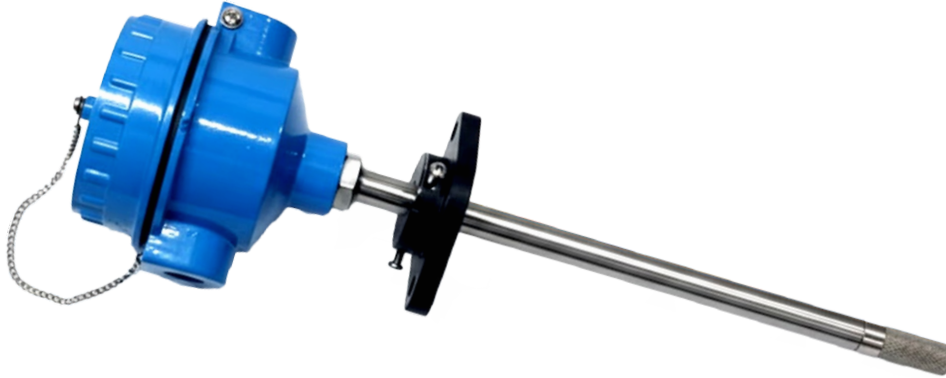


Duct Mount - Flameproof Head T+RH Transmitters

STH 9FC / STH 9FV / STH 9FD

Flameproof Protection Head Certified for Gas Group IIA & IIB
4-20 mA / 0-5 & 0-10 VDC / RS485 MODBUS Output
12 to 36 VDC Operated

Process Precision Instruments
Vasai Road (E), Dist. Palghar - 401210,
Maharashtra, India
www.ppiindia.net



Salient Features

- Flameproof Protection Head Certified for Gas Group IIA & IIB, as per IS 2148
- High Precision, Long Term Stability & Good Anti-Interference
- SS316 Probe Material & SS Sintered Filter for Long Working Life in Harsh Environment Conditions
- Current (4-20 mA), Voltage (0-5 VDC / 0-10 VDC) & RS485 (MODBUS) Output Versions
- Reverse Polarity Protected Current Outputs
- Over-Voltage & Reverse Polarity Protected Power Supply
- Wide Supply Voltage Range : 12 to 36 VDC
- **Dimensions :**
14mm Probe Dia with 300mm Standard Length
(Other Lengths on Request)

General Information

Product Type	Duct Mount - Flameproof head T+RH Transmitter
Ordering Code	STH 9FC 4 to 20 mA Current Outputs
	STH 9FV-5 0 to 5 VDC Voltage Outputs
	STH 9FV-10 0 to 10 VDC Voltage Outputs
	STH 9FD RS485 MODBUS Output
Quantity	1 Unit
Accessories	Mounting Flange (Oval) with Screw Sets

General Specifications

Housing	Flameproof Head, SS316 Probe, SS Sintered Filter, ø14mm X L 300mm Probe
Power Supply	12 to 36 VDC
Working Environment	-40 to +85°C, 5 to 95%RH (Non-condensing)
Protection Class	Certified for Gas Group IIA & IIB, as per IS 2148

%RH (Relative Humidity)

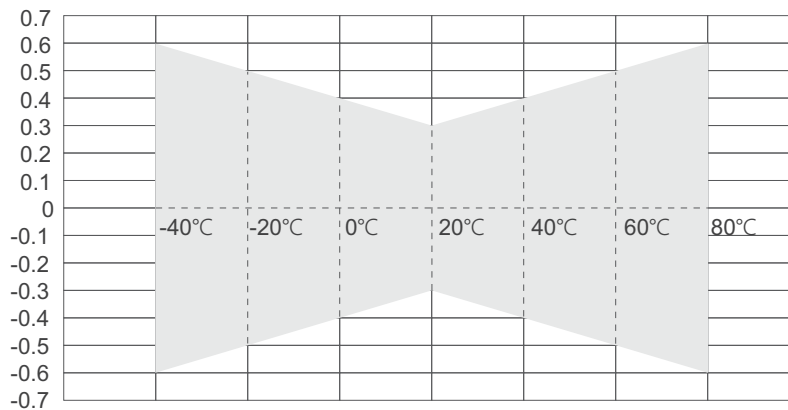
Sensor Type	Digital
Range	0 to 100%RH
Accuracy	± 3% @ 20°C & 60%RH
Output	STH 9FC : 4 to 20 mA STH 9FV-5 : 0 to 5 VDC STH 9FV-10 : 0 to 10 VDC STH 9FD : RS485 MODBUS

Duct Mount - Flameproof Head T+RH Transmitters

Temperature

Sensor Type	Digital
Range	-40 to +85 °C
Accuracy	± 0.3°C @ 20°C (Refer Temperature Accuracy Curve)
Output	STH 9FC : 4 to 20 mA STH 9FV-5V : 0 to 5 VDC STH 9FV-10 : 0 to 10 VDC STH 9FD : RS485 MODBUS

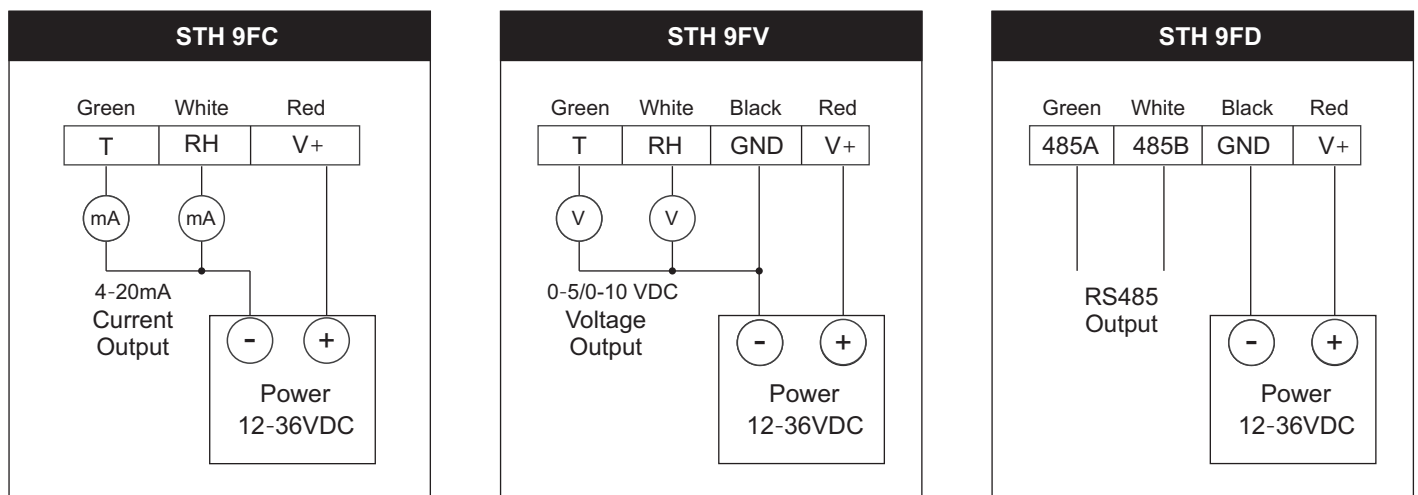
Temperature Accuracy Curve



Serial Communication (Model : STH 9FD)

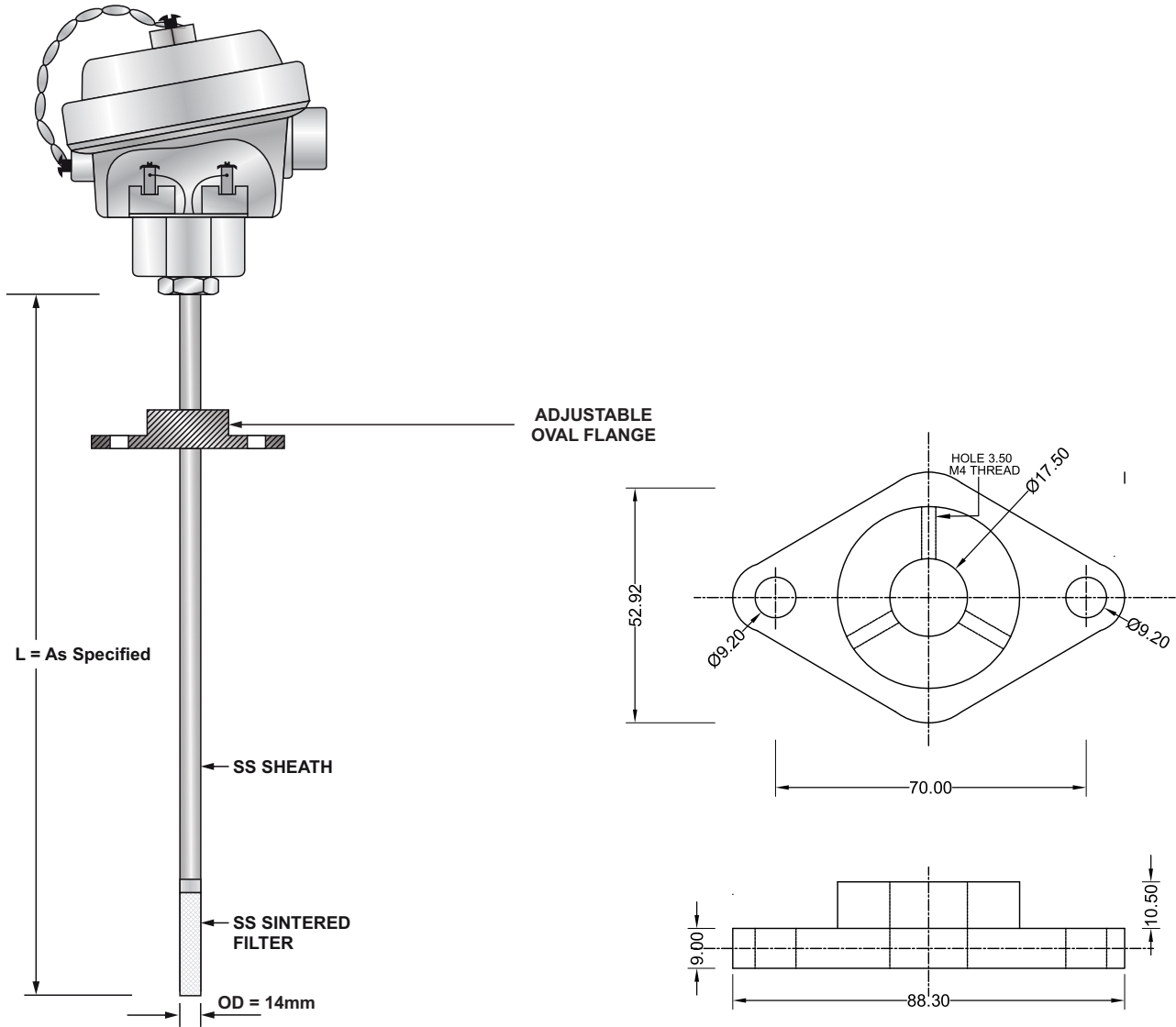
Port	RS485, 2-wire, Half Duplex, Start-Stop Synchronized
Protocol	MODBUS RTU (Slave)
Slave ID	Settable : 1 to 255 (Default : 1)
Baud Rate	Settable : 9600, 19200, 38400, 115200 bps (Default : 9600)
Parity	None
Data Format	1 Start Bit + 8 Data Bits + 1 Stop Bit
Temperature & %RH Values	16 Bit Signed Integer or 32 Bit Float Value (0.1°C & 0.1%RH Resolution)

Wiring Instructions



Duct Mount - Flameproof Head T+RH Transmitters

Dimensions (mm)



Process Precision Instruments (An ISO 9001 : 2008 Company)

📍 101, Diamond Industrial Estate, Navghar, Vasai Road (E), Dist. Palghar - 401210, Maharashtra, India

☎ Sales : 8208199048 / 8208141446 Support : 07498799226 / 08767395333

✉ sales@ppiindia.net 🖱 www.ppiindia.net