

STH 9FC : 4-20 mA Output
STH 9FV : 0-5 & 0-10 VDC Output
STH 9FD : RS485 MODBUS

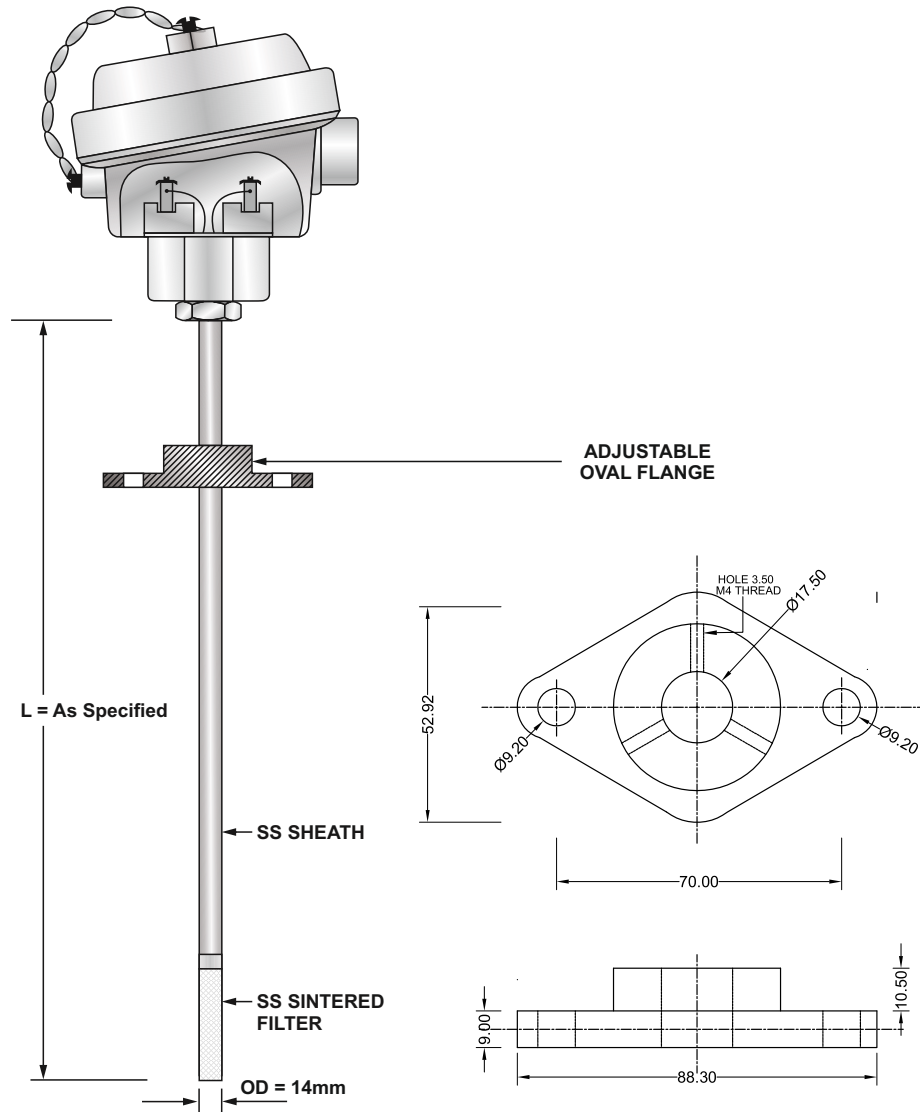
Installation Manual

PPI

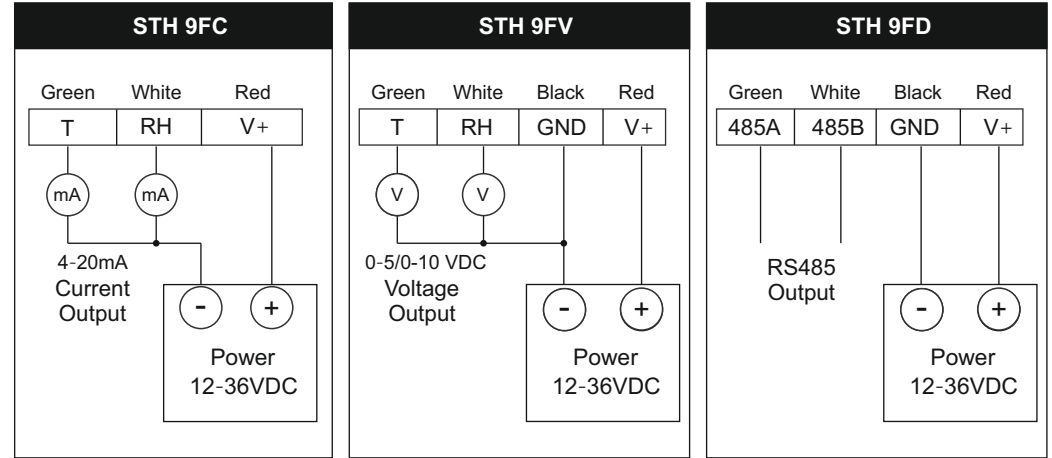
101, Diamond Industrial Estate, Navghar,
 Vasai Road (E), Dist. Palghar - 401 210.
 Sales : 8208199048 / 8208141446
 Support : 07498799226 / 08767395333
 E: sales@ppiindia.net, support@ppiindia.net

Dec 2025

► Dimensions (mm)



► Wiring Instructions



► MODBUS Register Addresses : STH 9FD

Parameter	Address	R/W	Description	Default
Baud Rate	3	R/W	1 = 9600 bps, 2 = 19200 bps, 3 = 38400 bps, 4 = 115200 bps	9600 bps
Slave ID	4	R/W	1 to 255	1
Temperature (16 Bit Signed Integer)	1	R	0.1 °C Resolution. Examples : 0x00C4 = 19.6 °C 0xFFBE = -6.6 °C	NA
Humidity (16 Bit Signed Integer)	2	R	0.1% Resolution. Example : 0x0134 = 30.8%	NA
Temperature (32 Bit Float)	6	R	0.01 °C Resolution. Examples : 0x41200000 = 10.00°C 0xC1A00000 = -20.00°C	NA
Humidity (32 Bit Float)	8	R	0.01% Resolution. Example : 0x41200000 = 10.00%	NA
Sensor Status	10	R	0 = OK, 1 = Fault	NA