

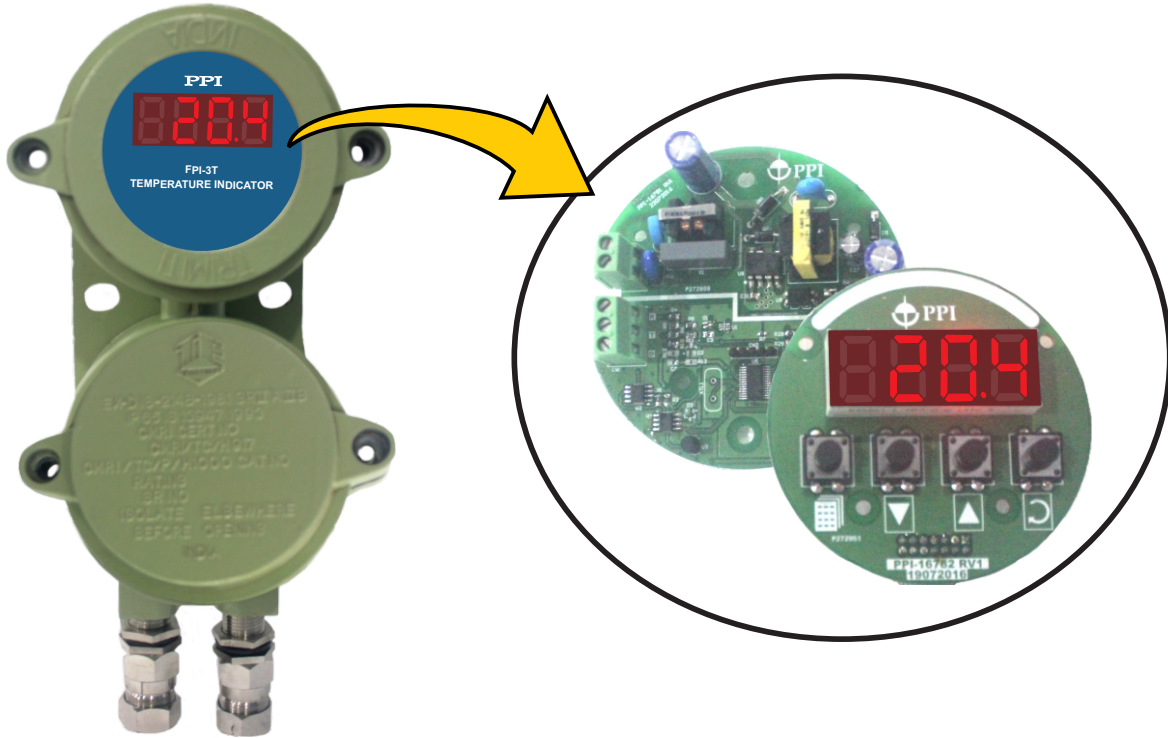
Flameproof Temperature Indicator

FPI-3T

Gas Group IIA, IIB Certified
Two 3/4" ET Cable Glands
RTD Pt100, J/K Thermocouple Inputs

Process Precision Instruments
Vasai Road (E), Dist. Palghar - 401210,
Maharashtra, India

www.ppiindia.net



Salient Features

- 4 Digit, 0.5" Ht., Bright Red, 7-Segment LED Display
- Selectable Inputs: RTD Pt100, J / K Type Thermocouple
- Programmable Zero Offset
- Parameter Setting Through Four Internal Keys
- Flame Proof Enclosure (Aluminum Alloy)
- Certified for Gas Groups IIA & IIB
- Two 3/4" ET Cable Entries with Glands
- Enclosure Size : 140(W) X 240(H) X 90(D), mm
- Wide Supply Voltage Range : 85 ~ 265 VAC

General Information

Product Type	Flameproof Temperature Indicator Certified for Gas Groups IIA & IIB
Ordering Code	FPI-3T
Quantity	1 Unit
Similar Modules	FPI-3D

Flameproof Temperature Indicator

Operator Interface

Display	4 Digits, 0.5" Bright Red, 7 Segment LED
Keys (Internal)	4 Tactile Switches PAGE, DOWN, UP, ENTER

Sensor Input

Type (User Configurable)	RTD Pt100, 3 wire J / K Thermocouple
Corrections	<ul style="list-style-type: none"> • In-built Cold-Junction Compensation for Thermocouples • In-built Lead Resistance Compensation for RTD (Upto 22 Ohms in each lead)
Accuracy	$\pm 0.25\%$ of reading $\pm 1^\circ\text{C}$
Display Resolution (User Programmable)	RTD Pt100 : 0.1 / 1 $^\circ\text{C}$ Thermocouple : 1 $^\circ\text{C}$ Fixed
ADC	16 Bit ($\pm 32,768$ Counts), Sigma-Delta ($\Sigma\Delta$)
Sampling Time	200mS (5 Samples per Second)
Input Resistance	> 1 M Ω
Common Mode Rejection	> 100dB at 50/60 Hz
Signal Conditioning	R-C Low-Pass Filter
Zero Offset	User Adjustable over Full Range

Power Supply

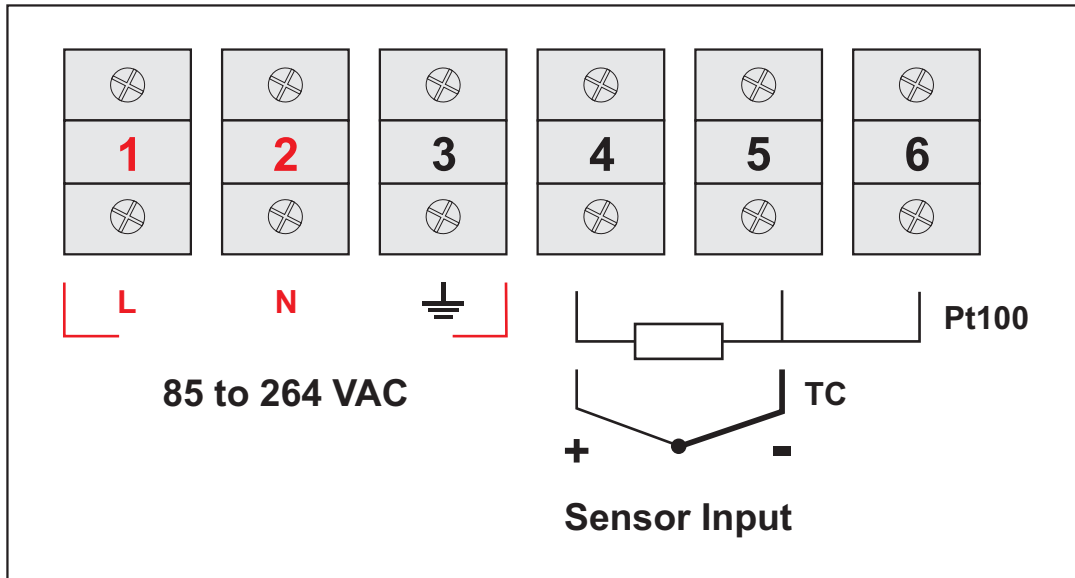
Type	Switch Mode (SMPS)
Line Voltage	85~264 VAC, 50/60Hz
Consumption	5 VA Max

Physical

Enclosure	Flame Proof (Aluminum Alloy), Certified for Gas Group I, IIA & IIB
Overall Dimensions	140(W) X 240(H) X 90(D), mm
Terminals	Screw Type
Weight	Max. 1.5 Kg

Flameproof Temperature Indicator

Electrical Connections



Process Precision Instruments (An ISO 9001 : 2008 Company)

📍 101, Diamond Industrial Estate, Navghar, Vasai Road (E), Dist. Palghar - 401210, Maharashtra, India
 📞 Sales : 8208199048 / 8208141446 Support : 07498799226 / 08767395333
 ✉️ sales@ppiindia.net 🖱️ www.ppiindia.net