

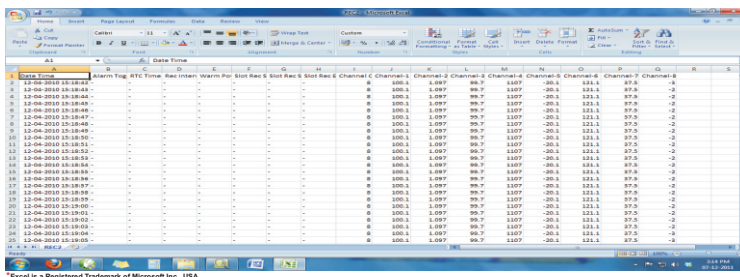
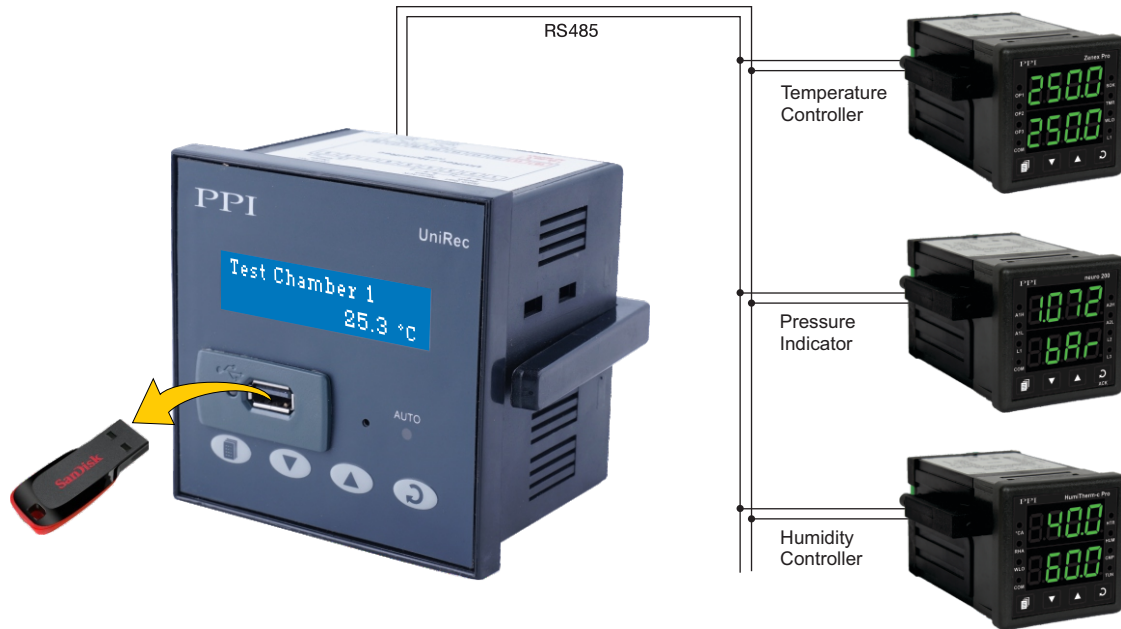
# Data Logger for PPI Make Indicators & Controllers with Pen-Drive Interface

## UniRec

Compatible with Most PPI Make Indicators & Controllers  
Single Logger for Multiple Devices  
CSV Formatted Data Records  
Built-in Huge Record Storage Capacity

**Process Precision Instruments**  
Vasai Road (E), Dist. Palghar - 401210,  
Maharashtra, India

www.ppiindia.net



## Salient Features


- Fetches & Records PV Data from a Range of PPI's Widely used Process Indicators & Controllers
- Supports Multiple Indicators / Controllers (Any Mix of Models)
- 2 Rows of 16 Characters LCD Display & 4 Tactile Keys
- User Programmable Name for Each Device
- Huge Data Storage Capacity : Appx. 38,56,000 Records
- Date / Time Stamped Process Value (PV) & Alarm Status Recording with Programmable Recording Interval
- Event Generated Records : Power-up, Alarm Toggle, RTC / Recording Interval Changed
- Continuous or Batch Recording
- Direct Data Transfer to PC via Pen-Drive (Memory Stick)
- CSV (Comma Separated Values) formatted Records Facilitates Direct View in EXCEL Sheet

## General Information


<b>Product Type</b>	Data Logger for PPI Make Indicators & Controllers with Pen-Drive Interface
<b>Quantity</b>	1 Unit
<b>Accessories</b>	(Optional) 16 / 32 GB Pen-Drive
<b>Similar Products</b>	UniRec Z UniRec Pro UniRec CZ

# Data Logger for PPI Make Indicators & Controllers with Pen-Drive Interface

## User Interface Display

Digital Readout	2 Rows of 16 Characters LCD Display with Back-Light LED	
Keys	4 Tactile Switches (PAGE, DOWN, UP, ENTER)	
Module Interface	Half Duplex RS485 Serial Port (Master)	
Pen-Drive Interface	USB Connector Type A	
Alarm Outputs	1 Common High & 1 Common Low Alarm Relay (2A @ 230VAC)	
Physical	<b>Mounting :</b> Plug-in with Panel Mounting Clamps <b>Overall Dimensions :</b> 96 (W) X 96 (H) X 65 (D), mm <b>Panel Cutout :</b> 92 (W) X 92 (H), mm	
Supply Voltage	85~264 VAC, 50/60 Hz, Single Phase	

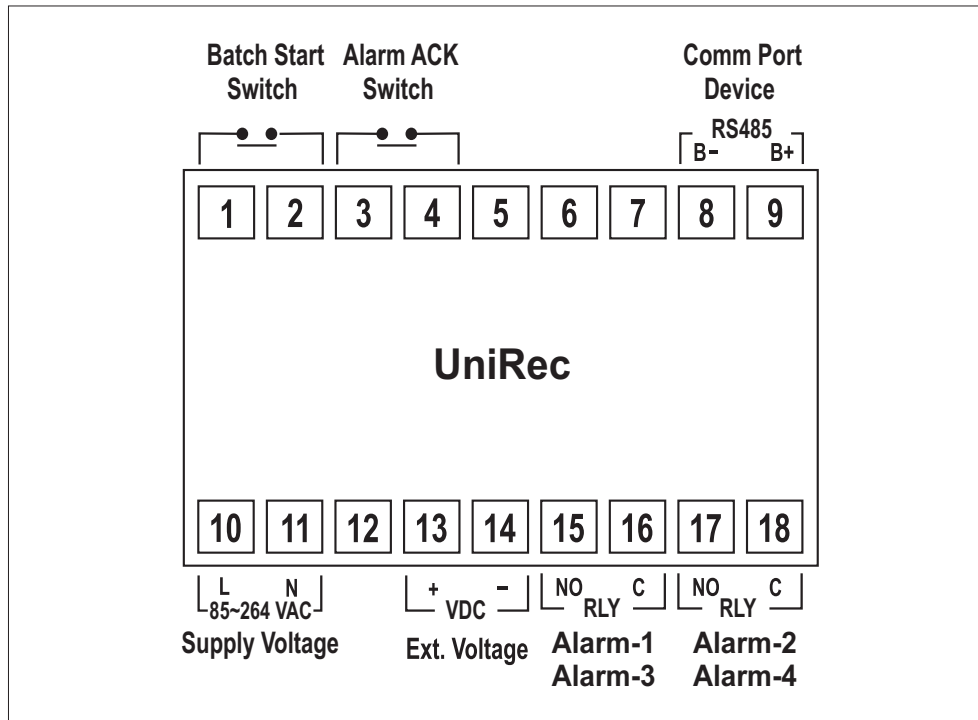
## Devices Supported (Partial List)

Temperature Indicators & Controllers	zenex / zenex Pro Delta / Delta Pro zenex Ultra ApeX	
Temperature + RH Indicators & Controllers	HumiTherm-i / HumiTherm-i Pro HumiTherm-iS HumiTherm-c / HumiTherm-c Pro HumiTherm-cS	
Process Indicators & Controllers	neuro 100 / neuro 200 neuro 100EX neuro 100Z neuro 102 / neuro 202 neuro 102EX Epsilon neuro 104 neuro 105	
Autoclave Controller	Clavex / Clavex Pro Clavex GD	
Flow Rate Indicator	Florex	

**Note :** Consult factory for the products not included in the list

## Back Panel Termination

### User Interface Module



## Process Precision Instruments (An ISO 9001 : 2008 Company)

101, Diamond Industrial Estate, Navghar, Vasai Road (E), Dist. Palghar - 401210, Maharashtra, India  
 Sales : 8208199048 / 8208141446 Support : 07498799226 / 08767395333  
 sales@ppiindia.net www.ppiindia.net