

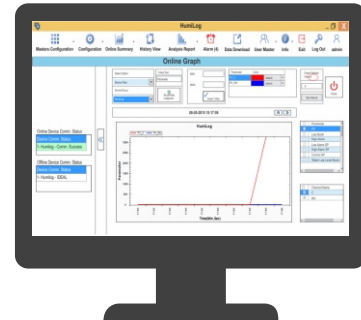
Single Point Temperature Controller cum Logger with PC Interface

UniRec Z

Single Loop Temperature Controller with Data Logging
21 CFR Part 11 Compliant PC Interface
Built-in Huge Record Storage Capacity

Process Precision Instruments
Vasai Road (E), Dist. Palghar - 401210,
Maharashtra, India

www.ppiindia.net



Salient Features

- Fetches & Records PV Data from PPI's most Widely used Universal Temperature Controller zeneX Pro
- Periodic (User settable interval) Recording of PV and Alarm Status
- Huge Data Storage Capacity :Approx. 38,56,000 Records
- Accompanied with Windows Based PC Software for Record Transfer & Analysis with following Salient Features
 - ✓ Online Data Display in Tabular & Graphical Forms with Alarm Indications
 - ✓ Automatic Periodic Record Fetching from UniRec Z
 - ✓ Manual & Auto Back-up Facility with Archiving
 - ✓ Data Log Report, Alarm Log Report & History Graph in PDF & Excel Formats

General Information

Product Type	Data Logger for PPI Make Temperature Controller with PC Interface
Quantity	1 Unit
Accessories	(Optional) USB to RS485 Converter
Similar Products	UniRec UniRec Pro UniRec CZ

Single Point Temperature Controller cum Logger with PC Interface

Device Interface / User Interface Display

Device Interface	Half Duplex RS485 Serial Port (Master)
PC Interface	Half Duplex RS485 Serial Port (Slave)
Physical	Mounting : DIN Rail Overall Dimensions : 60 (W) X 70 (H) X 110 (D), mm Terminals : Screw Type Weight : 100 gm. Approx.
Supply Voltage	85~264 VAC, 50/60 Hz, Single Phase



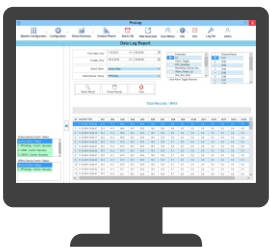
PC Interface

Serial Port (Slave)	Port	: RS485, 2-wire, Half Duplex, Start-Stop Synchronized
	Slave ID	: 1 to 127
	Max. Units per Loop	: 31
	Max. Distance	: 1200 Meters

PC Software (USFDA 21 CFR Part 11 Compliant)

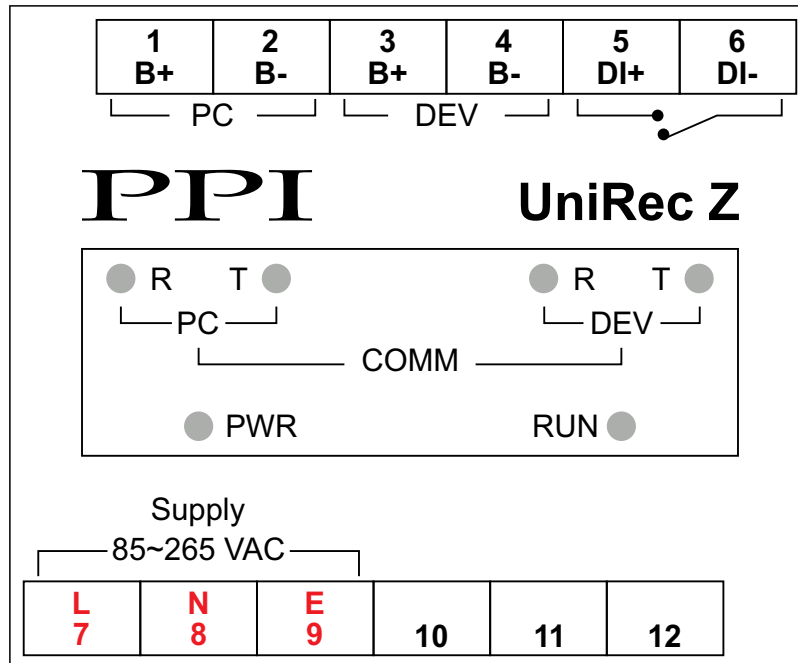
Supported Operating Systems (OS)	<ul style="list-style-type: none"> Windows Vista 32 bit / 64 bit Windows 8 & Above 	<ul style="list-style-type: none"> Windows 7
Minimum PC Configuration Requirements	<ul style="list-style-type: none"> 2.8 GHz Clock Speed 32 bit / 64 bit Pentium Dual Core 	<ul style="list-style-type: none"> 40 GB Hard Disk 2 GB RAM

Features



- Supports Multiple Data Loggers on Single Installation
- Auto Start-up on PC Power-up
- Online Display of Process Values & Stored Records in Graphical & Tabular Forms with Alarm Indications
- SMS and/or Email Alerts on Alarm Conditions
- Process Value Min / Max Average Computation
- Automatic Periodic Downloading of Records Stored in Data Loggers
- Access Control According to Authority Level
- User Actions with Signing & Authorization
- Automatic Password Expiry
- Manual & Auto Back-up Facility with Archiving
- Data Log Reports with User Configurable Title, Footer & Header
- Data Log Report, Alarm Log Report, History Graph & Audit Trail Report in PDF & EXCEL formats
- Audit Trail History of Critical Events & User Actions

Back Panel Termination



Process Precision Instruments (An ISO 9001 : 2008 Company)

📍 101, Diamond Industrial Estate, Navghar, Vasai Road (E), Dist. Palghar - 401210, Maharashtra, India
📞 Sales : 8208199048 / 8208141446 Support : 07498799226 / 08767395333
✉️ sales@ppiindia.net 🖱️ www.ppiindia.net