

# Data Logger for PPI Make Indicators & Controllers with PC Interface

## UniRec Pro

Compatible with Most PPI Make Indicators & Controllers  
Single Logger for Multiple Devices  
21 CFR Part 11 Compliant PC Interface  
Built-in Huge Record Storage Capacity

**Process Precision Instruments**

Vasai Road (E), Dist. Palghar - 401210,  
Maharashtra, India

www.ppiindia.net



## Salient Features

- Fetches & Records PV Data from a Range of PPI's Widely used Process Indicators & Controllers
- Supports Multiple Indicators / Controllers (Any Mix of Models)
- Huge Data Storage Capacity : Approx. 38,56,000 Records
- Date / Time Stamped Process Value (PV) & Alarm Status Recording with Programmable Recording Interval
- Event Generated Records : Power-up, Alarm Toggle, RTC / Recording Interval Changed
- Accompanied with Windows Based PC Software for Record Transfer & Analysis with following Salient Features
  - ✓ Online Data Display in Tabular & Graphical Forms with Alarm Indications
  - ✓ Automatic Periodic Record Fetching from UniRec Pro
  - ✓ Manual & Auto Back-up Facility with Archiving
  - ✓ Data Log Report, Alarm Log Report & History Graph in PDF & Excel Formats

## General Information

<b>Product Type</b>	Data Logger for PPI Make Indicators & Controllers with PC Interface
<b>Quantity</b>	1 Unit
<b>Accessories</b>	(Optional) USB to RS485 Converter
<b>Similar Products</b>	UniRec Z UniRec UniRec CZ

# Data Logger for PPI Make Indicators & Controllers with PC Interface

## User Interface Display

Device Interface                      Half Duplex RS485 Serial Port (Master)

PC Interface                            Half Duplex RS485 Serial Port (Slave)

Physical                                **Mounting** : DIN Rail  
**Overall Dimensions** : 60 (W) X 70 (H) X 110 (D), mm  
**Terminals** : Screw Type  
**Weight** : 100 gm. Approx.



Supply Voltage                        85~264 VAC, 50/60 Hz, Single Phase

## Devices Supported (Partial List)

Temperature Indicators & Controllers	zenex / zenex Pro Delta / Delta Pro zenex Ultra ApeX
Temperature + RH Indicators & Controllers	HumiTherm-i / HumiTherm-i Pro HumiTherm-iS HumiTherm-c / HumiTherm-c Pro HumiTherm-cS
Process Indicators & Controllers	neuro 100 / neuro 200 neuro 100EX neuro 100Z neuro 102 / neuro 202 neuro 102EX Epsilon neuro 104 neuro 105
Autoclave Controller	Clavex / Clavex Pro Clavex GD
Flow Rate Indicator	Florex



**Note** : Consult factory for the products not included in the list

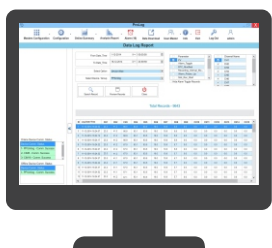
## PC Interface

Serial Port (Slave)	Port	: RS485, 2-wire, Half Duplex, Start-Stop Synchronized
	Slave ID	: 1 to 127
	Max. Units per Loop	: 31
	Max. Distance	: 1200 Meters

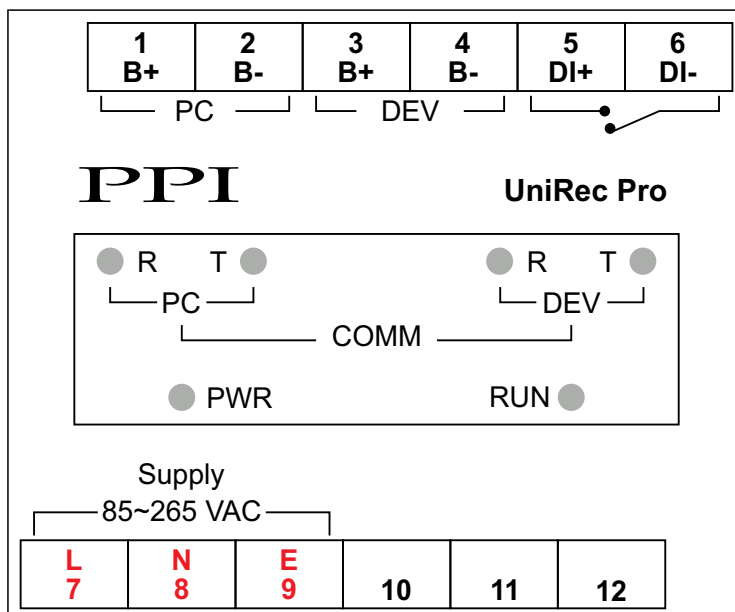
# Data Logger for PPI Make Indicators & Controllers with PC Interface

## PC Software (USFDA 21 CFR Part 11 Compliant)

Supported Operating Systems (OS)	<ul style="list-style-type: none"> <li>• Windows Vista</li> <li>• 32 bit / 64 bit Windows 8 &amp; Above</li> </ul>	<ul style="list-style-type: none"> <li>• Windows 7</li> </ul>
Minimum PC Configuration Requirements	<ul style="list-style-type: none"> <li>• 2.8 GHz Clock Speed</li> <li>• 32 bit / 64 bit Pentium Dual Core</li> </ul>	<ul style="list-style-type: none"> <li>• 40 GB Hard Disk</li> <li>• 2 GB RAM</li> </ul>
Features	<ul style="list-style-type: none"> <li>• Supports Multiple Data Loggers on Single Installation</li> <li>• Auto Start-up on PC Power-up</li> <li>• Online Display of Process Values &amp; Stored Records in Graphical &amp; Tabular Forms with Alarm Indications</li> <li>• SMS and/or Email Alerts on Alarm Conditions</li> <li>• Process Value Min / Max Average Computation</li> <li>• Automatic Periodic Downloading of Records Stored in Data Loggers</li> <li>• Access Control According to Authority Level</li> <li>• User Actions with Signing &amp; Authorization</li> <li>• Automatic Password Expiry</li> <li>• Manual &amp; Auto Back-up Facility with Archiving</li> <li>• Data Log Reports with User Configurable Title, Footer &amp; Header</li> <li>• Data Log Report, Alarm Log Report, History Graph &amp; Audit Trail Report in PDF &amp; EXCEL formats</li> <li>• Audit Trail History of Critical Events &amp; User Actions</li> </ul>	



## Back Panel Termination



## Process Precision Instruments (An ISO 9001 : 2008 Company)

101, Diamond Industrial Estate, Navghar, Vasai Road (E), Dist. Palghar - 401210, Maharashtra, India  
 Sales : 8208199048 / 8208141446 Support : 07498799226 / 08767395333  
 sales@ppiindia.net www.ppiindia.net