

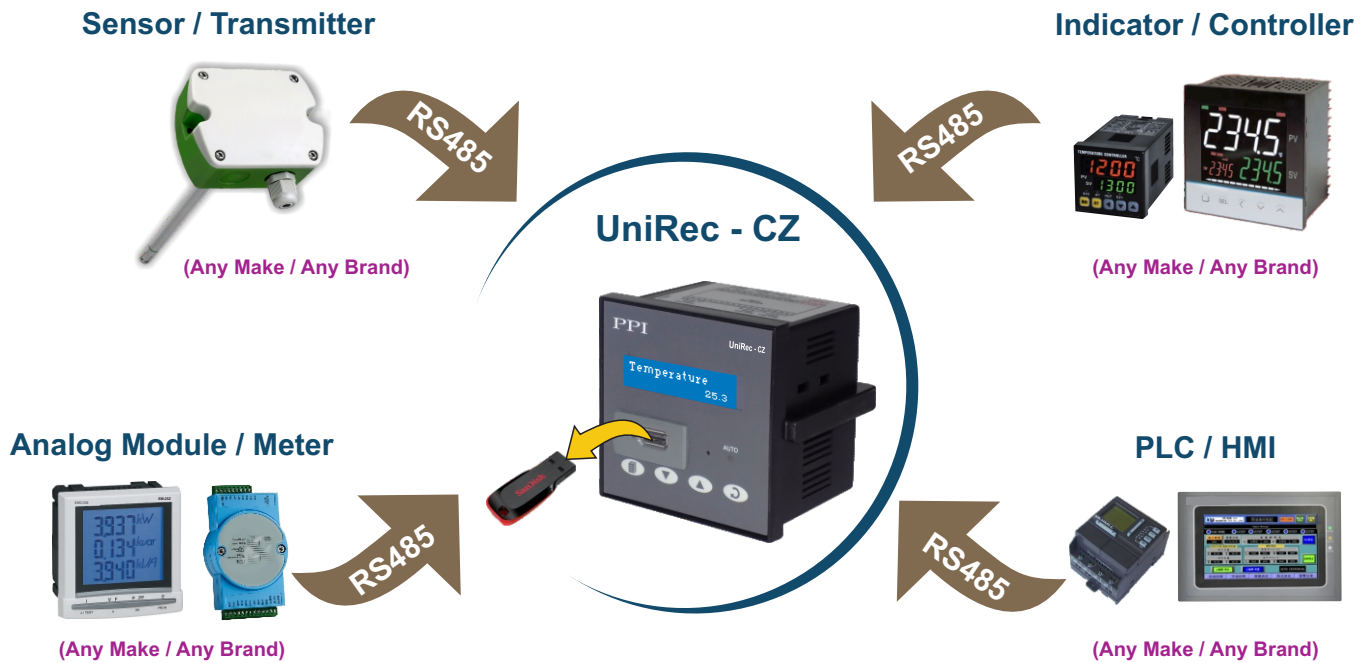
# MODBUS RTU Data Logger with Pen-Drive Interface

## UniRec - CZ

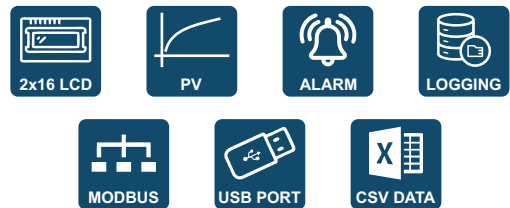
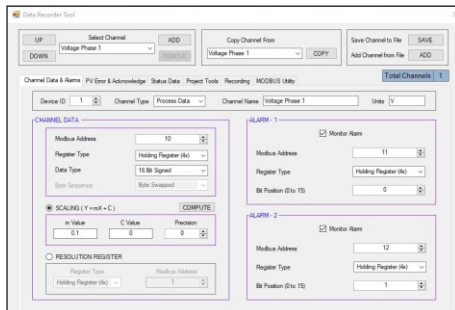
Compatible with any Devices with MODBUS RTU Slave Port  
Supports Up to 25 Channels (PV & Alarms)  
CSV Formatted Data Records  
Built-in Huge Record Storage Capacity

**Process Precision Instruments**  
Vasai Road (E), Dist. Palghar - 401210,  
Maharashtra, India

www.ppiindia.net



### Free PC Configuration Tool



### Salient Features

- Monitor & Record Process Values & Alarms for Upto 25 Channels
- Free PC Software Tool for Easy Configuration
- Supports 16 & 32 Bit Data Including Single Precision Float for PV
- Process Value Scaling with Programmable Decimal Point
- Fault Status Monitoring & Acknowledge with User Set Messages
- User Programmable Channel Names
- Date / Time Stamped Records with Internal 2 GB Memory
- CSV Formatted Records for Direct View in Excel Sheet
- 2 X 16 Characters LCD Display for Channel-wise PV Indication with Alarm Status
- Programmable Recording Interval & Auto / Manual Display Mode

### General Information

<b>Product Type</b>	MODBUS RTU Data Logger for 3 <sup>rd</sup> Party Devices (Energy Meters, Sensors/Transmitters, HMI, etc.)
<b>Quantity</b>	1 Unit
<b>Accessories</b>	(Optional) 16 / 32 GB Pen-Drive
<b>Similar Products</b>	

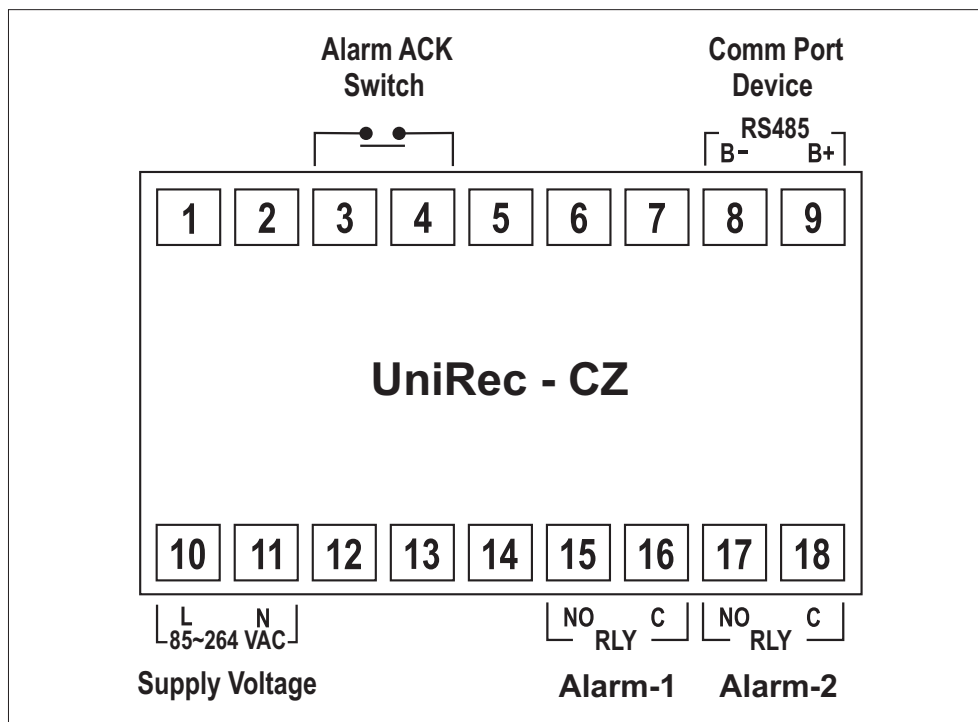
# MODBUS RTU Data Logger with Pen-Drive Interface

## Specifications

Digital Readout	2 Rows of 16 Characters LCD Display with Back-Light LED
Keys	4 Tactile Switches (PAGE, DOWN, UP, ENTER)
Module Interface	Half Duplex RS485 Serial Port (Master)
Pen-Drive Interface	USB Connector Type A
Alarm Outputs	1 Common High & 1 Common Low Alarm Relay (2A @ 230VAC)
Physical	<b>Mounting :</b> Plug-in with Panel Mounting Clamps <b>Overall Dimensions :</b> 96 (W) X 96 (H) X 65 (D), mm <b>Panel Cutout :</b> 92 (W) X 92 (H), mm
Supply Voltage	85~264 VAC, 50/60 Hz, Single Phase



## Back Panel Termination



## Process Precision Instruments (An ISO 9001 : 2008 Company)

📍 101, Diamond Industrial Estate, Navghar, Vasai Road (E), Dist. Palghar - 401210, Maharashtra, India  
 📞 Sales : 8208199048 / 8208141446 Support : 07498799226 / 08767395333  
 ✉️ sales@ppiindia.net 🖱️ www.ppiindia.net