

Modular Universal Process Data Logger with Pen-Drive Interface

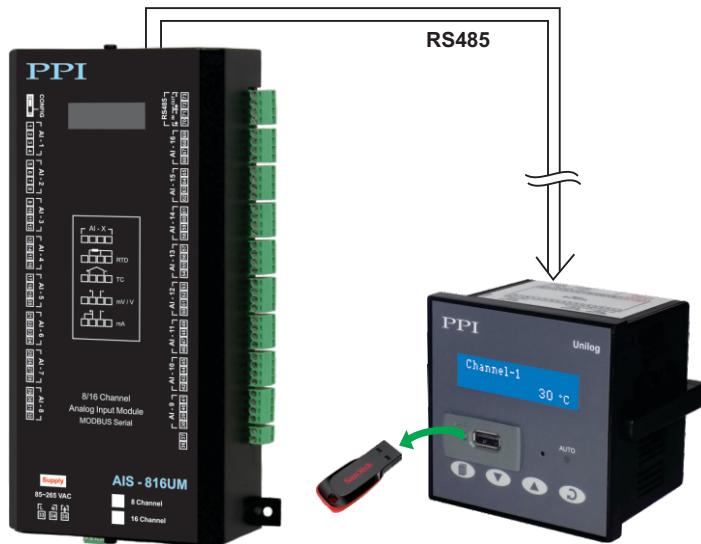
UniLog / UniLog Plus

Fixed 8 / 16 Channels (UniLog)
Expandable 8 to 128 Universal Channels (UniLog Plus)
CSV Formatted Data Records
Built-in Huge Record Storage Capacity

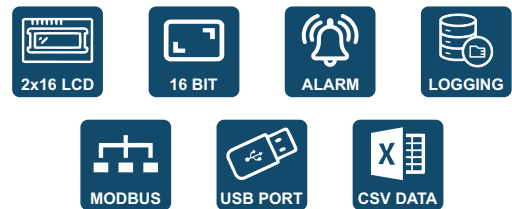
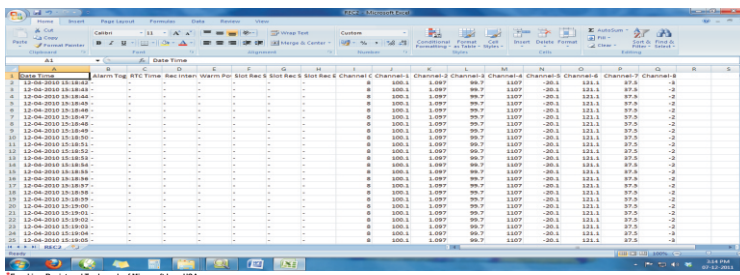
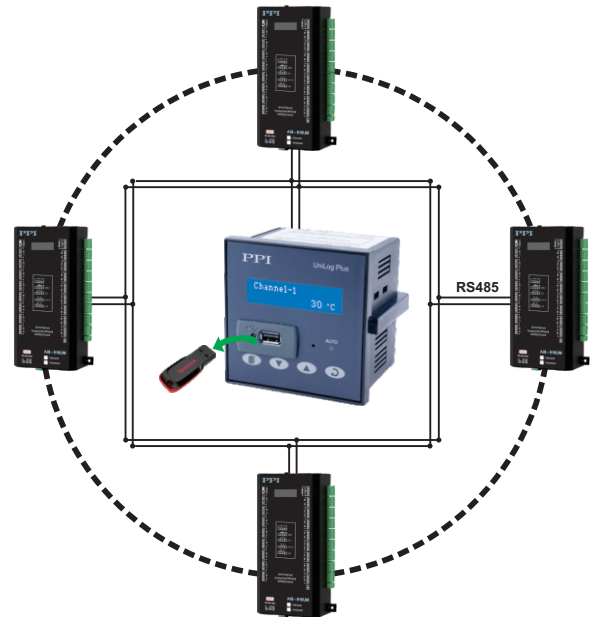
Process Precision Instruments
Vasai Road (E), Dist. Palghar - 401210,
Maharashtra, India

www.ppiindia.net

UniLog : Fixed 8 / 16 Channels



UniLog Plus : Expandable 8 to 128 Channels



Salient Features

- 2 Rows of 16 Characters LCD Display & 4 Tactile Keys
- Fixed 8 / 16 or Expandable 8 to 128 Universal Channels
- Universal Inputs : Thermocouples, RTD Pt100, mV, V, mA
- Fast Channel Update Rate : 250 mS per Channel
- 4 Programmable Soft Alarms per Channel
- 2 Common Relay Outputs for Alarms
- User Assigned Channel Names for Easy PV Identification
- Huge Data Storage Capacity : Appx. 38,56,000 Records
- Date / Time Stamped Process Value (PV) & Alarm Status Recording with Programmable Recording Interval
- Event Generated Records : Power-up, Alarm Toggle, RTC / Recording Interval Changed
- Continuous or Batch Recording
- Direct Data Transfer to PC via Pen-Drive (Memory Stick)
- CSV (Comma Separated Values) formatted Records Facilitates Direct View in EXCEL Sheet

General Information

Product Type	Fixed / Expandable, Modular Multi-Channel Universal Process Data Logger with Pen-Drive Interface
Quantity	1 Unit
Accessories	(Optional) 16 / 32 GB Pen-Drive
Similar Products	ScanLog 96 ScanLog 4C ScanLog 8C ScanLog 16C UniLog Ultra UniLog Pro Plus

Modular Universal Process Data Logger with Pen-Drive Interface

User Interface Display

Digital Readout	2 Rows of 16 Characters LCD Display with Back-Light LED
Keys	4 Tactile Switches (PAGE, DOWN, UP, ENTER)
Module Interface	Half Duplex RS485 Serial Port (Master)
Pen-Drive Interface	USB Connector Type A
Alarm Outputs	1 Common High & 1 Common Low Alarm Relay (2A @ 230VAC)
Physical	Mounting : Plug-in with Panel Mounting Clamps Overall Dimensions : 96 (W) X 96 (H) X 65 (D), mm Panel Cutout : 92 (W) X 92 (H), mm
Supply Voltage	85~264 VAC, 50/60 Hz, Single Phase



Analog Input Channel Module (Model : AIS - 816UM)

Number of Channels	8 or 16, Universal
Input Types	Thermocouples : J, K, T, R, S, B, N RTD : Pt100, 3-Wire DC mV : 0 to 80 mV DC Volts : 0 to 1.25V, 0 to 5V, 1 to 5V, 0 to 10V DC mA : 0-20 mA, 4-20 mA
Accuracy	Thermocouples Measurement : $\pm 0.25\%$ of Measured Value ± 1 LSD (Excluding CJC Error) Cold Junction : $\pm 2.5^\circ\text{C}$ (Specified over 18 to 37°C Ambient) RTD Pt100 $\pm 0.25\%$ of Measured Value ± 1 LSD (Lead-Resistance compensated up to 5Ω in each Lead) DC mA / mV / V $\pm 0.20\%$ of Measured Value ± 1 LSD
Resolution (Settable)	Thermocouples & RTD : 0.1 / 1 ($^\circ\text{C}$) DC Linear Volts / Current : 0.001 / 0.01 / 0.1 / 1 (Counts)
Range	Thermocouple & RTD Pt100 : Refer Table-1 DC Volts / Current : Programmable within -30000 to +30000 Counts
Zero Offset	User Adjustable over Full Range for Each Channel
ADC	16 Bit ($\pm 32,768$ Counts), Sigma-Delta ($\Sigma\Delta$)
Channel Update Time	2 Second for 8 Channels 4 Second for 16 Channels
Input Impedence	Greater than $10\text{ M}\Omega$ 249Ω Precision Shunt Resistor for 0-20 mA & 4-20 mA Input
Signal Conditioning	First Order Low-Pass RC Filter. Cutoff Frequency at 55Hz (3dB at 55Hz with roll-off rate of 20dB/decade)
Input Protection	ESD : 8KV EFT : 2KV Surge : 1KV
Physical	Mounting : Wall Mounting Overall Dimensions : 115 (W) X 208 (L) X 52 (D), mm Terminals : Screw Type, Male-Female Detachable
Supply Voltage	85 to 265 VAC, 50/60 Hz, Single Phase



Modular Universal Process Data Logger with Pen-Drive Interface

Pen-Drive Interface

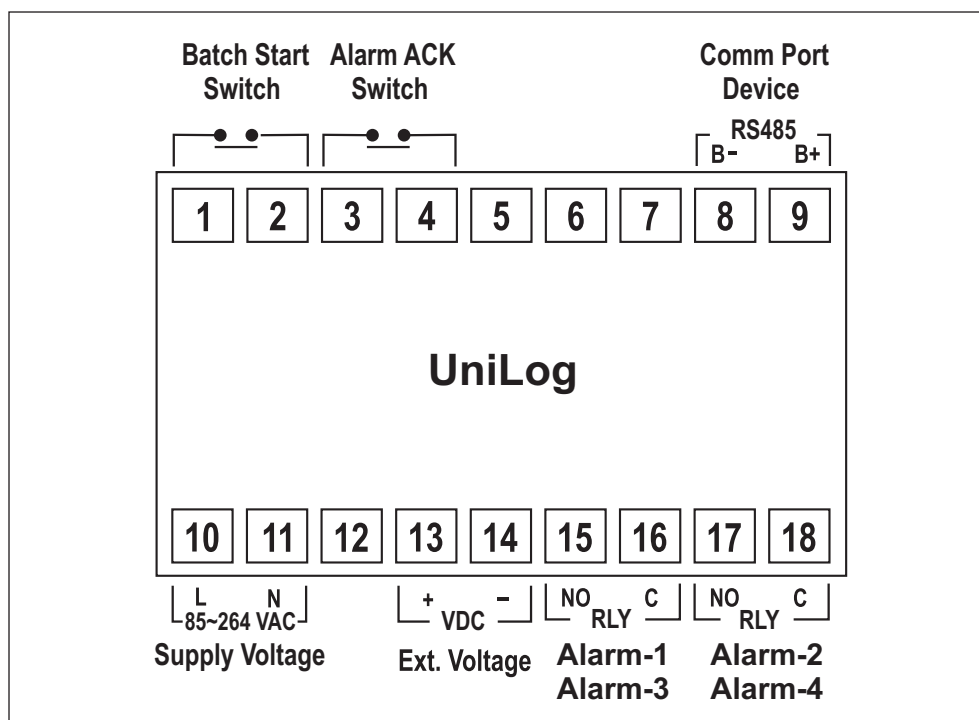
Pen-Drive Support	USB 2.0, Format : FAT, Socket : Type A
File Operation	Read <i>Set.txt</i> file Write .csv files (Data Records)

TABLE 1

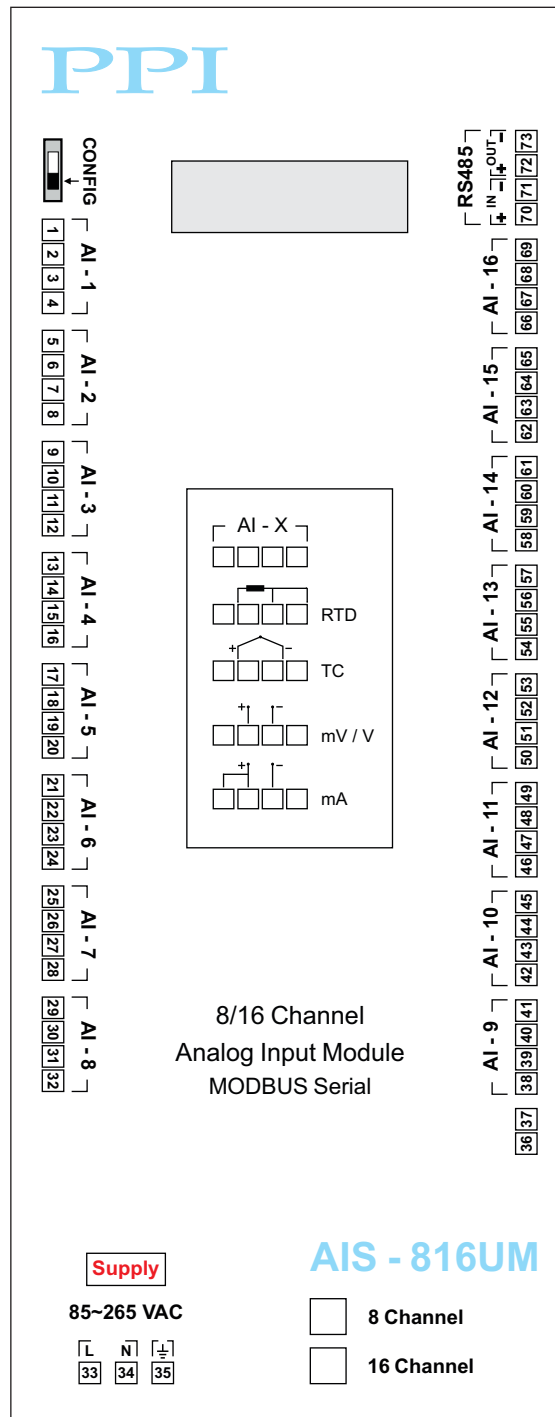
Input Type	Range (Min. to Max.)
2 / 3-wire, RTD Pt100	-199.9 to +600.0 °C / -328.0 to +1112.0 °F
Type J Thermocouple (Fe-K)	0.0 to +960.0°C / +32.0 to +1760.0°F
Type K Thermocouple (Cr-Al)	-200.0 to +1376.0°C / -328.0 to +2508.0°F
Type T Thermocouple (Cu-Con)	-200.0 to +387.0°C / -328.0 to +728.0°F
Type R Thermocouple (Pt / Pt-Rh13%)	0.0 to +1771.0°C / +32.0 to +3219.0°F
Type S Thermocouple (Pt / Pt-Rh10%)	0.0 to +1768.0°C / +32.0 to +3214.0°F
Type B Thermocouple (Pt-Rh6% / Pt-Rh30%)	0.0 to +1826.0°C / +32.0 to +3218.0°F
Type N Thermocouple (NiCrSi / NiSi)	0.0 to +1314.0°C / +32.0 to +2397.0°F

Back Panel Termination

User Interface Module



Channel Interface Module



Process Precision Instruments (An ISO 9001 : 2008 Company)

101, Diamond Industrial Estate, Navghar, Vasai Road (E), Dist. Palghar - 401210, Maharashtra, India
 Sales : 8208199048 / 8208141446 Support : 07498799226 / 08767395333
 sales@ppiindia.net www.ppiindia.net