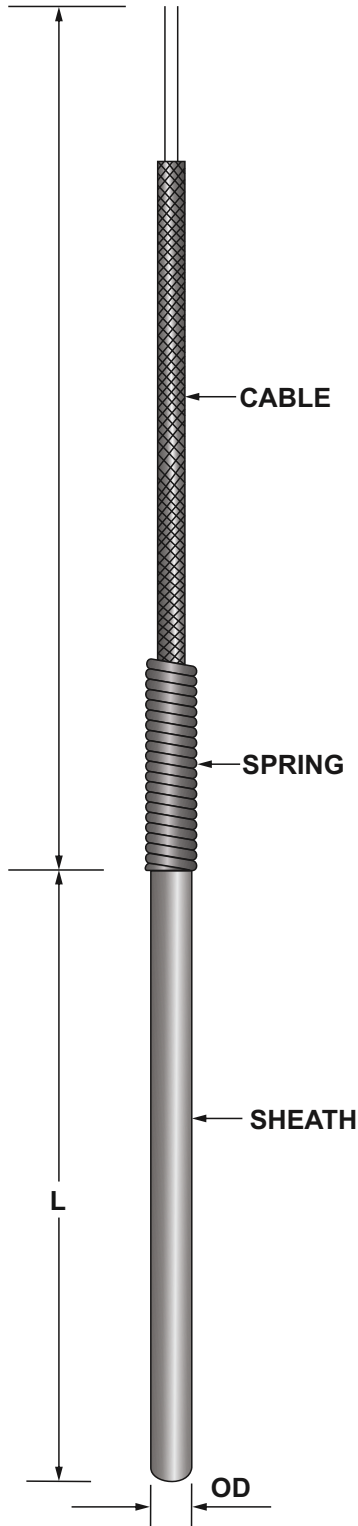




TJT - 01



Element	<input type="text"/>	K	Chromel / Alumel
		J	Iron / Constantan
		O	Consult Factory
Configuration	<input type="text"/>	SX	Simplex
		DX	Duplex
Junction	<input type="text"/>	GN	Grounded
		UN	Ungrounded
Temp. Range	<input type="text"/>	<input type="text" value="Specify"/>	
Sheath Material	<input type="text"/>	316	SS 316
		310	SS 310
		600	Inconel 600
Sheath "OD"	<input type="text"/>	4.7	4.7mm
		6	6mm
		8	8mm
		O	Consult Factory
Type of Cable	<input type="text"/>	A	PTFE / PTFE
		B	FG / FG / SSB
		O	Consult Factory
Length of Cable	<input type="text"/>	<input type="text" value="Specify"/>	
Termination	<input type="text"/>	<input type="text" value="Refer Termination Styles Sheet"/>	
Sheath Length "L"	<input type="text"/>	<input type="text" value="Specify"/>	

Process Precision Instruments

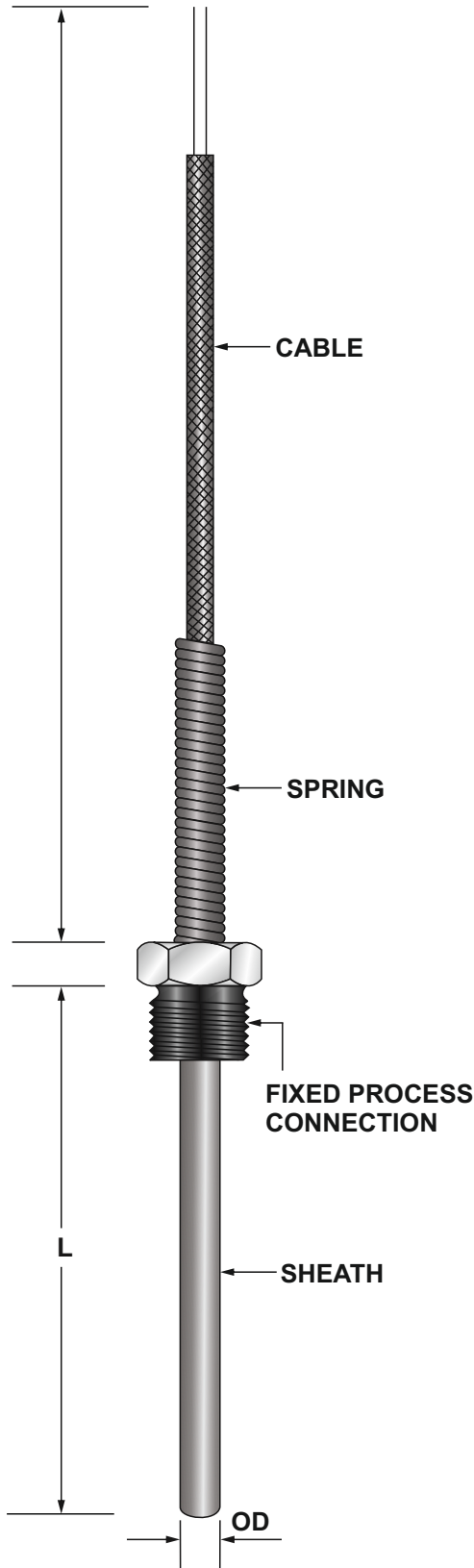
101, Diamond Industrial Estate, Navghar, Vasai Road (E), Dist. Palghar - 401210, Maharashtra, India

Sales : 8208199048 / 8208141446 Support : 07498799226 / 08767395333

sales@ppiindia.net www.ppiindia.net



TJT - 02



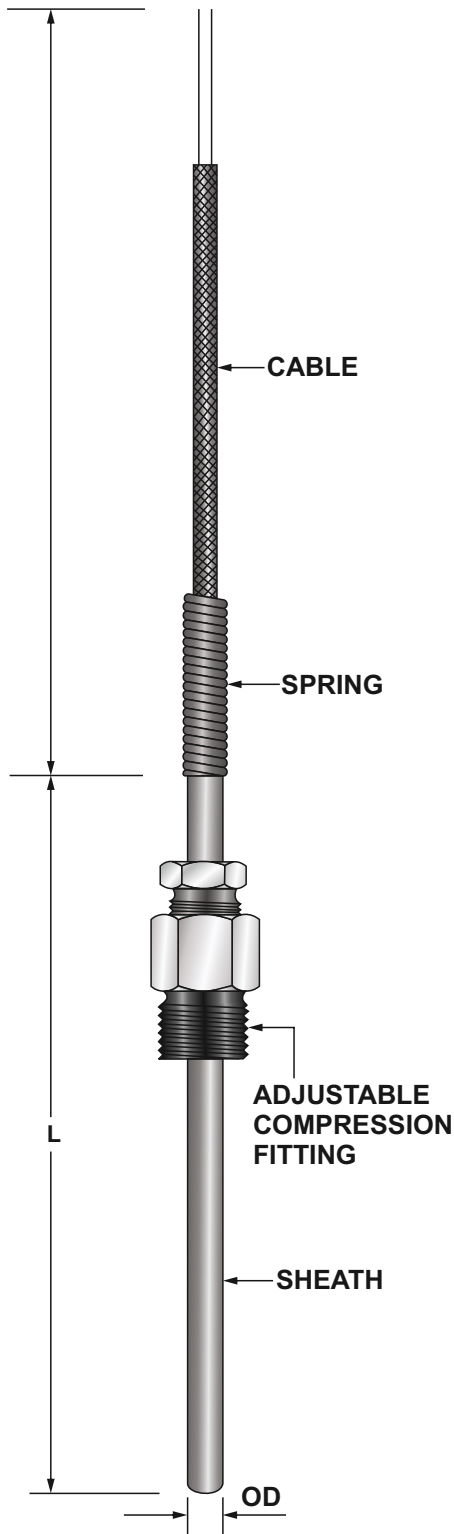
Element	<input type="text"/>	K	Chromel / Alumel
		J	Iron / Constantan
		O	Consult Factory
Configuration	<input type="text"/>	SX	Simplex
		DX	Duplex
Junction	<input type="text"/>	GN	Grounded
		UN	Ungrounded
Temp. Range	<input type="text"/>	<input type="text" value="Specify"/>	
Sheath Material	<input type="text"/>	316	SS 316
		310	SS 310
		600	Inconel 600
Sheath "OD"	<input type="text"/>	4.7	4.7mm
		6	6mm
		8	8mm
		O	Consult Factory
Fixed Process Connection	<input type="text"/>	Threads	1/4" 3/8" 1/2" 3/4"
		BSP / NPT	1" 1 1/4" 1 1/2" 2"
		M -Threads	M18 X 1.5 M20 X 1.5 M27 X 2 M33 X 2
		O	Consult Factory
Type of Cable	<input type="text"/>	A	PTFE / PTFE
		B	FG / FG / SSB
		O	Consult Factory
Lenght of Cable	<input type="text"/>	<input type="text" value="Specify"/>	
Termination	<input type="text"/>	<input type="text" value="Refer Termination Styles Sheet"/>	
Sheath Length "L"	<input type="text"/>	<input type="text" value="Specify"/>	

Process Precision Instruments



TRANSITION JOINT THERMOCOUPLE WITH ADJUSTABLE COMPRESSION FITTING

TJT - 03

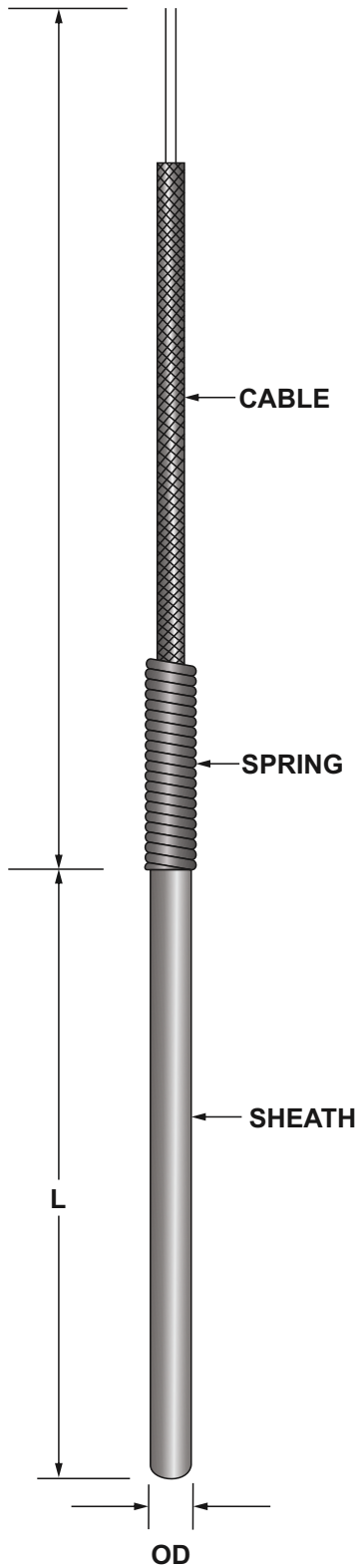


Element	<input type="text"/>	K	Chromel / Alumel
		J	Iron / Constantan
		O	Consult Factory
Configuration	<input type="text"/>	SX	Simplex
		DX	Duplex
Junction	<input type="text"/>	GN	Grounded
		UN	Ungrounded
Temp. Range	<input type="text"/>	Specify	
Sheath Material	<input type="text"/>	316	SS 316
		310	SS 310
		600	Inconel 600
Sheath "OD"	<input type="text"/>	4.7	4.7mm
		6	6mm
		8	8mm
		O	Consult Factory
Adjustable Compression Fitting	<input type="text"/>	Threads BSP / NPT	1/4" 3/8" 1/2" 3/4"
			1" 1 1/4" 1 1/2" 2"
		M -Threads	M18 X 1.5 M20 X 1.5
			M27 X 2 M33 X 2
O	Consult Factory		
Type of Cable	<input type="text"/>	A	PTFE / PTFE
		B	FG / FG / SSB
		O	Consult Factory
Lenght of Cable	<input type="text"/>	Specify	
Termination	<input type="text"/>	Refer Termination Styles Sheet	
Sheath Length "L"	<input type="text"/>	Specify	

Process Precision Instruments



TJT - 04



Element	<input type="text"/>	K	Chromel / Alumel
		J	Iron / Constantan
		O	Consult Factory
Configuration	<input type="text"/>	SX	Simplex
		DX	Duplex
Junction	<input type="text"/>	UN	Ungrounded
Temp. Range	<input type="text"/>	Specify	
Sheath Material	<input type="text"/>	316	SS 316
		310	SS 310
		600	Inconel 600
Sheath "OD"	<input type="text"/>	3	3mm (Simplex Only)
		4.5	4.5mm
		6	6mm
		8	8mm
Type of Cable	<input type="text"/>	A	PTFE / PTFE
		B	FG / FG / SSB
		O	Consult Factory
Length of Cable	<input type="text"/>	Specify	
Termination	<input type="text"/>	Refer Termination Styles Sheet	
Sheath Length "L"	<input type="text"/>	Specify	

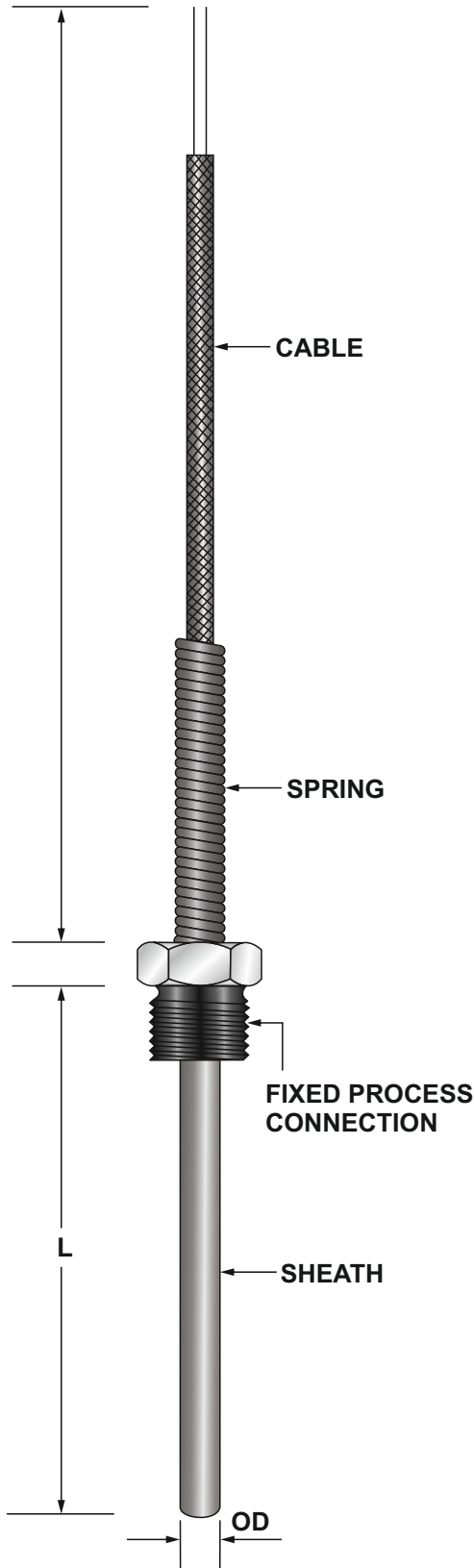
Process Precision Instruments



TRANSITION JOINT THERMOCOUPLE WITH FIXED PROCESS CONNECTION

(MINERAL INSULATED)

TJT - 05



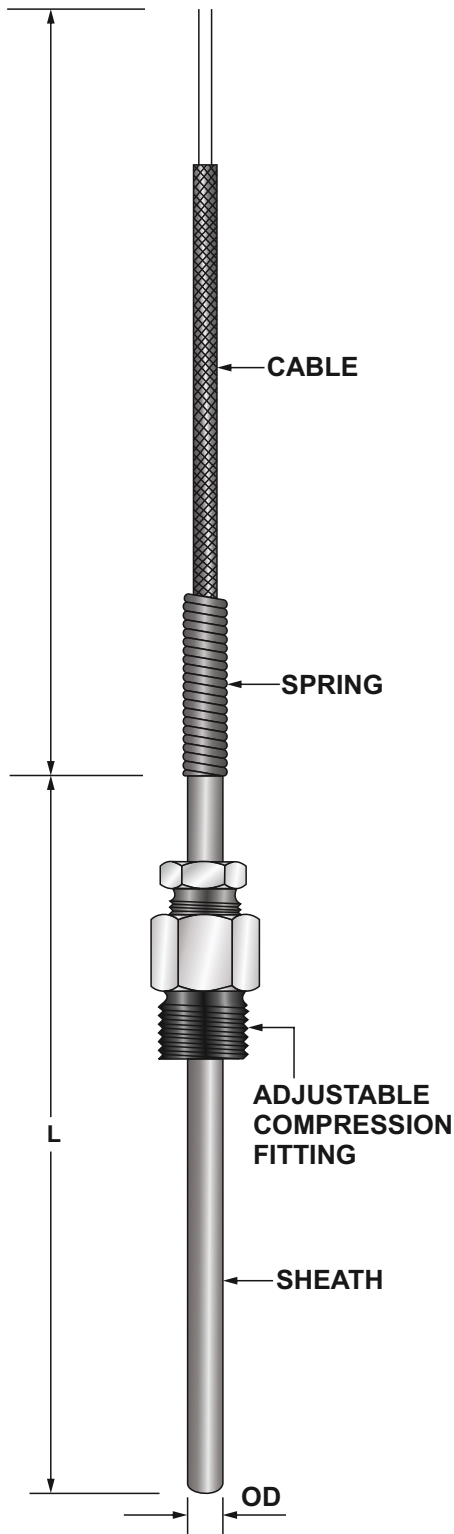
Element	<input type="text"/>	K	Chromel / Alumel
		J	Iron / Constantan
		O	Consult Factory
Configuration	<input type="text"/>	SX	Simplex
		DX	Duplex
Junction	<input type="text"/>	UN	Ungrounded
Temp. Range	<input type="text"/>	Specify	
Sheath Material	<input type="text"/>	316	SS 316
		310	SS 310
		600	Inconel 600
Sheath "OD"	<input type="text"/>	3	3mm (Simplex Only)
		4.5	4.5mm
		6	6mm
		8	8mm
Fixed Process Connection	<input type="text"/>	Threads BSP / NPT	1/4" 3/8" 1/2" 3/4"
			1" 1 1/4" 1 1/2" 2"
		M -Threads	M18 X 1.5 M20 X 1.5
			M27 X 2 M33 X 2
O	Consult Factory		
Type of Cable	<input type="text"/>	A	PTFE / PTFE
		B	FG / FG / SSB
		O	Consult Factory
Length of Cable	<input type="text"/>	Specify	
Termination	<input type="text"/>	Refer Termination Styles Sheet	
Sheath Length "L"	<input type="text"/>	Specify	

Process Precision Instruments



TRANSITION JOINT THERMOCOUPLE WITH ADJUSTABLE COMPRESSION FITTING (MINERAL INSULATED)

TJT - 06



Element	<input type="text"/>	K	Chromel / Alumel
		J	Iron / Constantan
		O	Consult Factory
Configuration	<input type="text"/>	SX	Simplex
		DX	Duplex
Junction	<input type="text"/>	UN	Ungrounded
Temp. Range	<input type="text"/>	Specify	
Sheath Material	<input type="text"/>	316	SS 316
		310	SS 310
		600	Inconel 600
Sheath "OD"	<input type="text"/>	3	3mm (Simplex Only)
		4.5	4.5mm
		6	6mm
		8	8mm
Adjustable Compression Fitting	<input type="text"/>	Threads BSP / NPT	1/4" 3/8" 1/2" 3/4"
			1" 1 1/4" 1 1/2" 2"
		M -Threads	M18 X 1.5 M20 X 1.5
			M27 X 2 M33 X 2
O	Consult Factory		
Type of Cable	<input type="text"/>	A	PTFE / PTFE
		B	FG / FG / SSB
		O	Consult Factory
Length of Cable	<input type="text"/>	Specify	
Termination	<input type="text"/>	Refer Termination Styles Sheet	
Sheath Length "L"	<input type="text"/>	Specify	

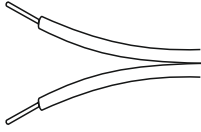
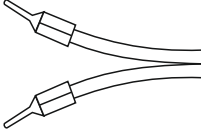
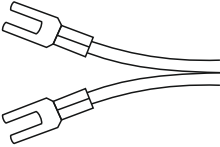
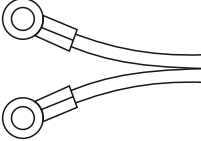
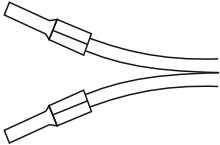
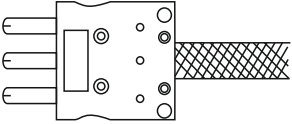
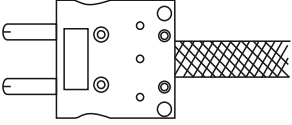
Process Precision Instruments

101, Diamond Industrial Estate, Navghar, Vasai Road (E), Dist. Palghar - 401210, Maharashtra, India

Sales : 8208199048 / 8208141446 Support : 07498799226 / 08767395333

sales@ppiindia.net www.ppiindia.net



BARE LEADS CODE BR	
PIN TYPE CODE PN	
FORK TYPE LUGS CODE FR	
RING TYPE LUGS CODE RG	
FLAT LUGS CODE FL	
MINIATURE PLUG CODE MP	
MINIATURE PLUG CODE MP	
MINIATURE SOCKET CODE MS	