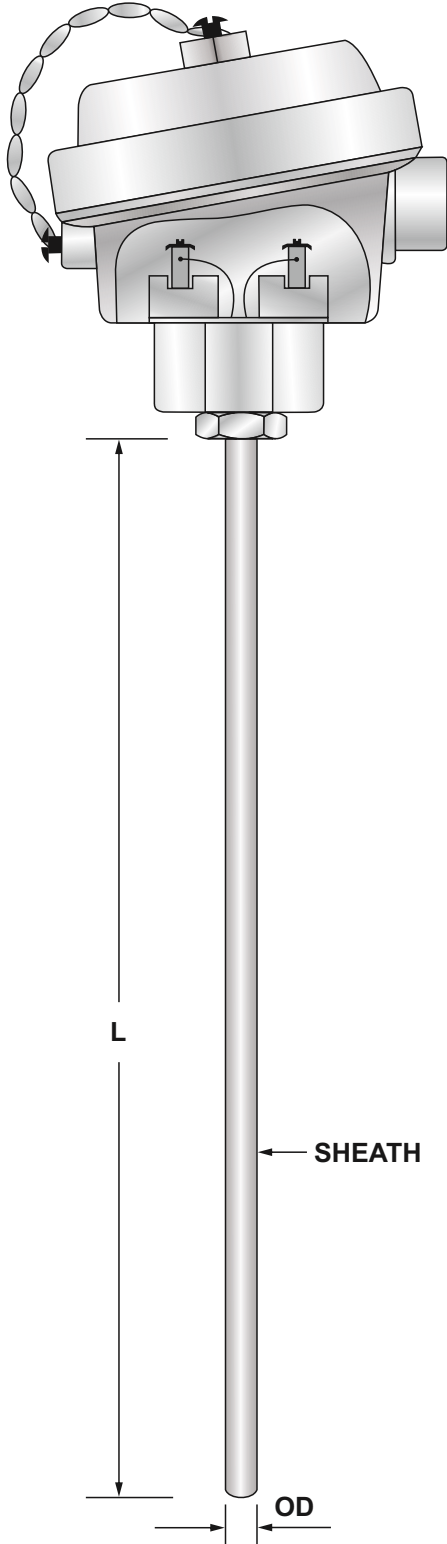




PHT - 01



Element	<input type="text"/>	K	Chromel / Alumel
		J	Iron / Constantan
		O	Consult Factory
Configuration	<input type="text"/>	SX	Simplex
		DX	Duplex
Termination	<input type="text"/>	W	Weather Proof Head IP-67
		F	Ex. Proof Head IIA / IIB IP-66
		O	Consult Factory
Junction	<input type="text"/>	GN	Grounded
		UN	Ungrounded
Temp. Range	<input type="text"/>	<input type="text" value="Specify"/>	
Sheath Material	<input type="text"/>	316	SS 316
		310	SS 310
		600	Inconel 600
Sheath "OD"	<input type="text"/>	4.7	4.7mm
		6	6mm
		8	8mm
		9.5	9.5mm
		19	19mm
		O	Consult Factory
Sheath Length "L"	<input type="text"/>	<input type="text" value="Specify"/>	

Process Precision Instruments

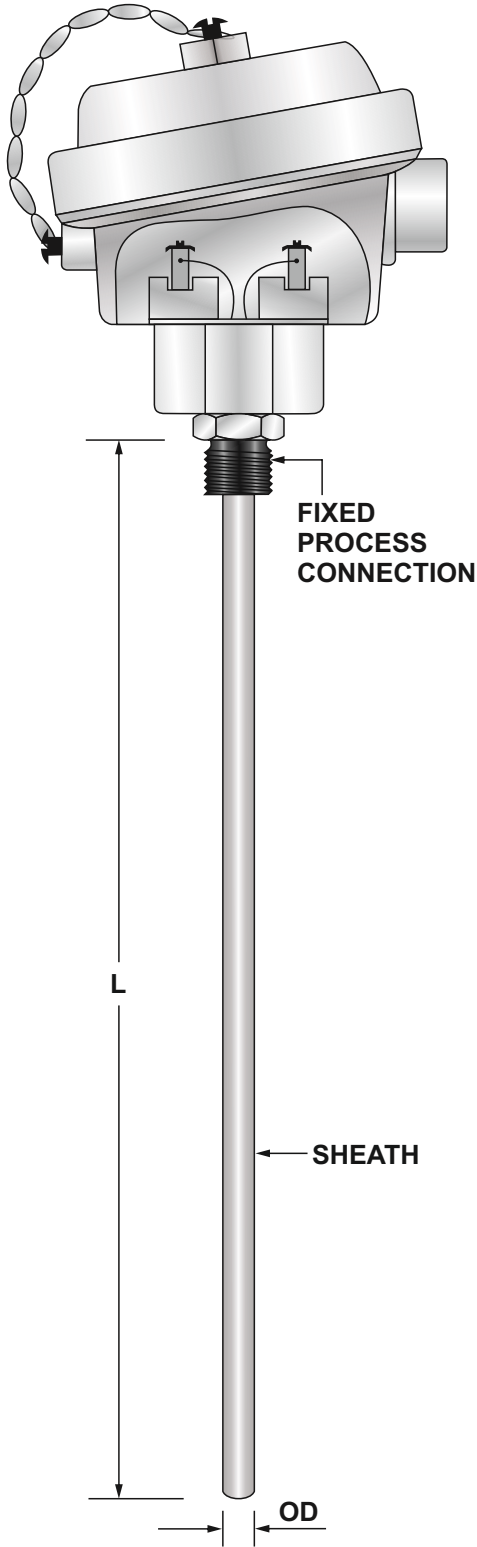
📍 101, Diamond Industrial Estate, Navghar, Vasai Road (E), Dist. Palghar - 401210, Maharashtra, India

☎ Sales : 8208199048 / 8208141446 Support : 07498799226 / 08767395333

✉ sales@ppiindia.net 🖱 www.ppiindia.net

THERMOCOUPLE HEAD TYPE WITH FIXED PROCESS CONNECTION

PHT - 02



Element	<input type="text"/>	K	Chromel / Alumel
		J	Iron / Constantan
		O	Consult Factory
Configuration	<input type="text"/>	SX	Simplex
		DX	Duplex
Termination	<input type="text"/>	W	Weather Proof Head IP-67
		F	Ex. Proof Head IIA / IIB IP-66
		O	Consult Factory
Junction	<input type="text"/>	GN	Grounded
		UN	Ungrounded
Temp. Range	<input type="text"/>	Specify	
Sheath Material	<input type="text"/>	316	SS 316
		310	SS 310
		600	Inconel 600
Sheath "OD"	<input type="text"/>	4.7	4.7mm
		6	6mm
		8	8mm
		9.5	9.5mm
		19	19mm
		O	Consult Factory
Fixed Process Connection	<input type="text"/>	Threads BSP / NPT	1/4" 3/8" 1/2" 3/4"
			1" 1 1/4" 1 1/2" 2"
		M -Threads	M18 X 1.5 M20 X 1.5
			M27 X 2 M33 X 2
O	Consult Factory		
Sheath Length "L"	<input type="text"/>	Specify	

Process Precision Instruments

📍 101, Diamond Industrial Estate, Navghar, Vasai Road (E), Dist. Palghar - 401210, Maharashtra, India

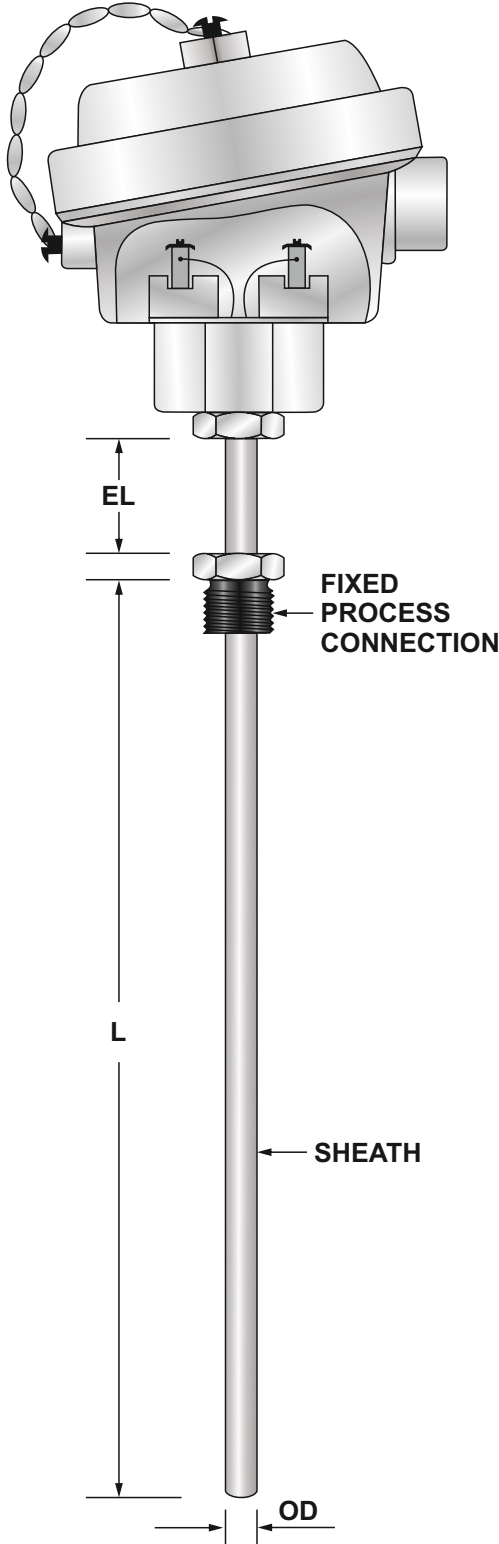
☎ Sales : 8208199048 / 8208141446 Support : 07498799226 / 08767395333

✉ sales@ppiindia.net 🖱 www.ppiindia.net



THERMOCOUPLE HEAD TYPE WITH FIXED PROCESS CONNECTION

PHT - 03



Element	<input type="text"/>	K	Chromel / Alumel
		J	Iron / Constantan
		O	Consult Factory
Configuration	<input type="text"/>	SX	Simplex
		DX	Duplex
Termination	<input type="text"/>	W	Weather Proof Head IP-67
		F	Ex. Proof Head IIA / IIB IP-66
		O	Consult Factory
Junction	<input type="text"/>	GN	Grounded
		UN	Ungrounded
Temp. Range	<input type="text"/>	Specify	
Sheath Material	<input type="text"/>	316	SS 316
		310	SS 310
		600	Inconel 600
Sheath "OD"	<input type="text"/>	4.7	4.7mm
		6	6mm
		8	8mm
		9.5	9.5mm
		19	19mm
		O	Consult Factory
Fixed Process Connection	<input type="text"/>	Threads BSP / NPT	1/4" 3/8" 1/2" 3/4"
			1" 1 1/4" 1 1/2" 2"
		M -Threads	M18 X 1.5 M20 X 1.5
			M27 X 2 M33 X 2
O	Consult Factory		
Extension Length "EL"	<input type="text"/>	Specify	
Insertion Length "L"	<input type="text"/>	Specify	

Process Precision Instruments

101, Diamond Industrial Estate, Navghar, Vasai Road (E), Dist. Palghar - 401210, Maharashtra, India

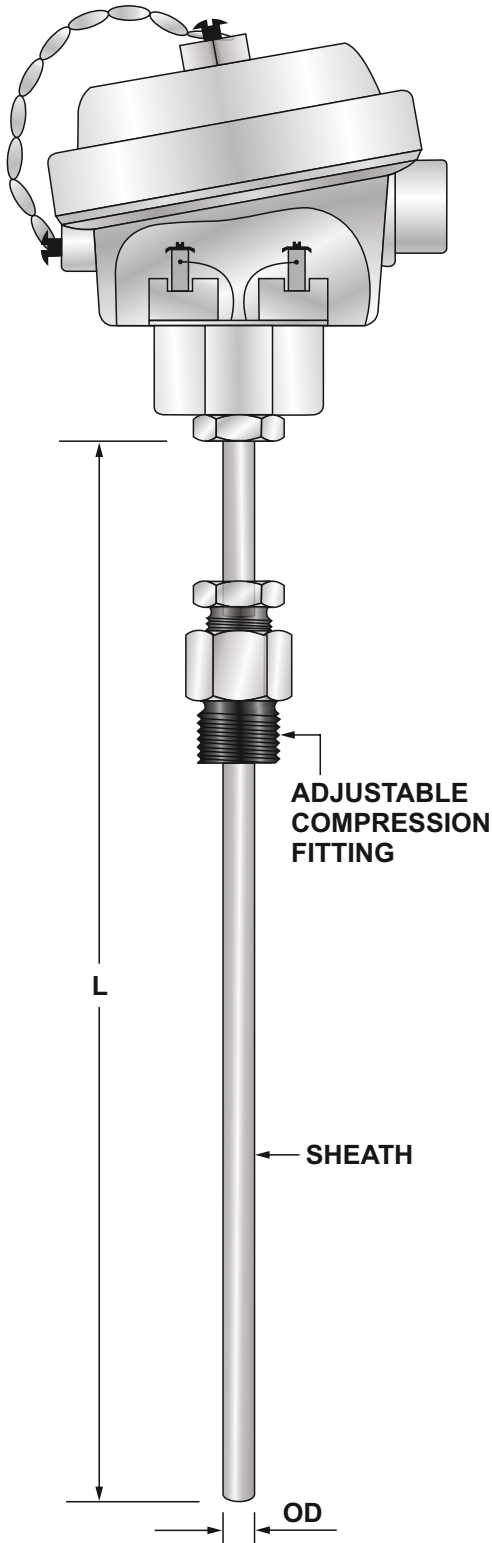
Sales : 8208199048 / 8208141446 Support : 07498799226 / 08767395333

sales@ppiindia.net www.ppiindia.net



THERMOCOUPLE HEAD TYPE WITH ADJUSTABLE COMPRESSION FITTING

PHR - 04



Element	<input type="text"/>	K	Chromel / Alumel
		J	Iron / Constantan
		O	Consult Factory
Configuration	<input type="text"/>	SX	Simplex
		DX	Duplex
Termination	<input type="text"/>	W	Weather Proof Head IP-67
		F	Ex. Proof Head IIA / IIB IP-66
		O	Consult Factory
Junction	<input type="text"/>	GN	Grounded
		UN	Ungrounded
Temp. Range	<input type="text"/>	Specify	
Sheath Material	<input type="text"/>	316	SS 316
		310	SS 310
		600	Inconel 600
Sheath "OD"	<input type="text"/>	4.7	4.7mm
		6	6mm
		8	8mm
		9.5	9.5mm
		19	19mm
		O	Consult Factory
Adjustable Compression Fitting	<input type="text"/>	Threads BSP / NPT	1/4" 3/8" 1/2" 3/4"
			1" 1 1/4" 1 1/2" 2"
		M -Threads	M18 X 1.5 M20 X 1.5
			M27 X 2 M33 X 2
O	Consult Factory		
Sheath Length "L"	<input type="text"/>	Specify	

Process Precision Instruments

101, Diamond Industrial Estate, Navghar, Vasai Road (E), Dist. Palghar - 401210, Maharashtra, India

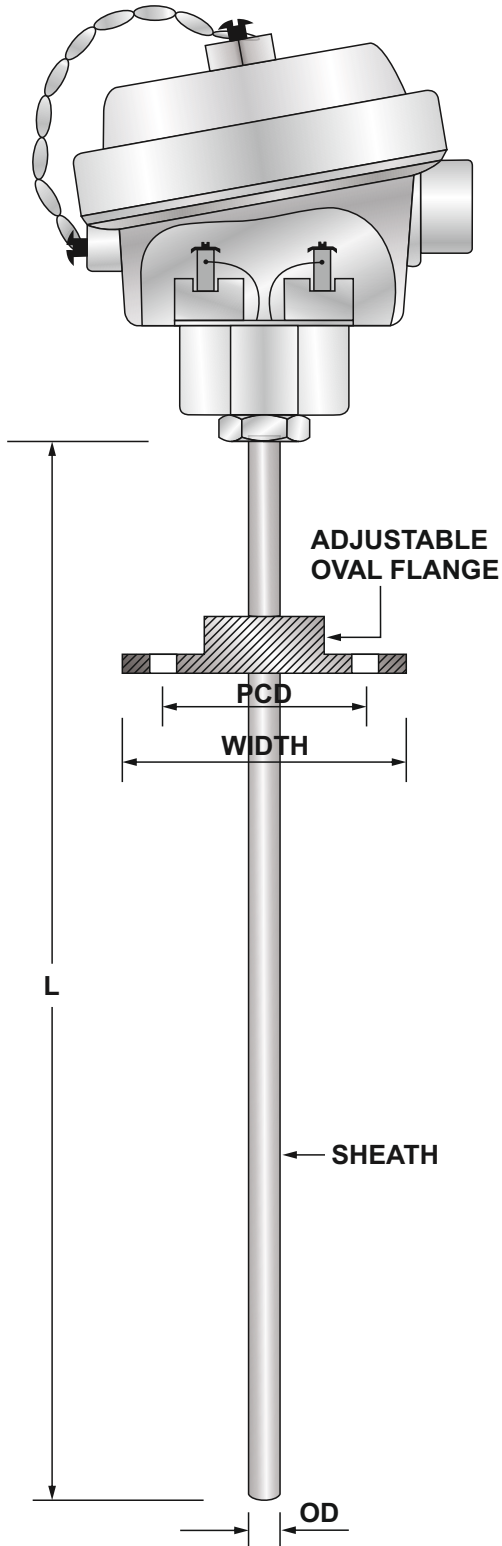
Sales : 8208199048 / 8208141446 Support : 07498799226 / 08767395333

sales@ppiindia.net www.ppiindia.net



THERMOCOUPLE HEAD TYPE WITH ADJUSTABLE OVAL FLANGE

PHT - 05



Element	<input type="text"/>	K	Chromel / Alumel
		J	Iron / Constantan
		O	Consult Factory
Configuration	<input type="text"/>	SX	Simplex
		DX	Duplex
Termination	<input type="text"/>	W	Weather Proof Head IP-67
		F	Ex. Proof Head IIA / IIB IP-66
		O	Consult Factory
Junction	<input type="text"/>	GN	Grounded
		UN	Ungrounded
Temp. Range	<input type="text"/>	Specify	
Sheath Material	<input type="text"/>	316	SS 316
		310	SS 310
		600	Inconel 600
Sheath "OD"	<input type="text"/>	6	6mm
		8	8mm
		9.5	9.5mm
		19	19mm
		O	Consult Factory
Adjustable Oval Flange	<input type="text"/>	WIDTH (Specify)	
		PCD (Specify)	
Sheath Length "L"	<input type="text"/>	Specify	

Process Precision Instruments

101, Diamond Industrial Estate, Navghar, Vasai Road (E), Dist. Palghar - 401210, Maharashtra, India

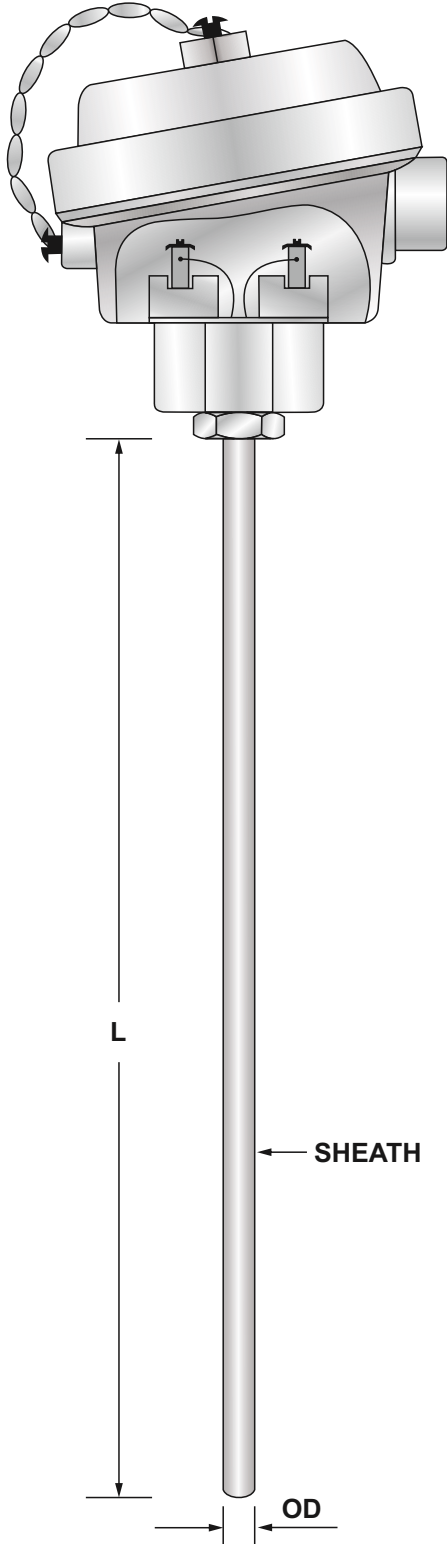
Sales : 8208199048 / 8208141446 Support : 07498799226 / 08767395333

sales@ppiindia.net www.ppiindia.net



THERMOCOUPLE HEAD TYPE (MINERAL INSULATED)

PHT - 06



Element	<input type="text"/>	K	Chromel / Alumel
		O	Consult Factory
Configuration	<input type="text"/>	SX	Simplex
		DX	Duplex
Termination	<input type="text"/>	W	Weather Proof Head IP-67
		F	Ex. Proof Head IIA / IIB IP-66
		O	Consult Factory
Junction	<input type="text"/>	UN	Ungrounded
Temp. Range	<input type="text"/>	Specify	
Sheath Material (Flexible)	<input type="text"/>	316	MI SS 316
		310	MI SS 310
		600	MI Inconel 600
Sheath "OD"	<input type="text"/>	3	3mm (Simplex Only)
		4.5	4.5mm
		6	6mm
		8	8mm
Sheath Length "L"	<input type="text"/>	Specify	

Process Precision Instruments

📍 101, Diamond Industrial Estate, Navghar, Vasai Road (E), Dist. Palghar - 401210, Maharashtra, India

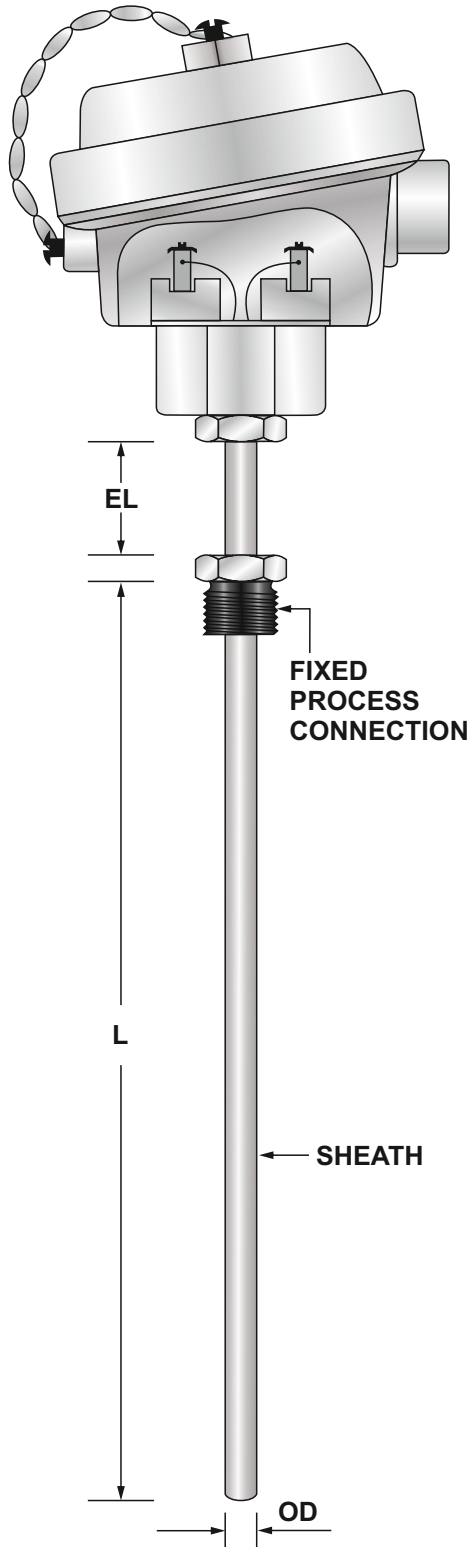
☎ Sales : 8208199048 / 8208141446 Support : 07498799226 / 08767395333

✉ sales@ppiindia.net 🖱 www.ppiindia.net



THERMOCOUPLE HEAD TYPE WITH FIXED PROCESS CONNECTION (MINERAL INSULATED)

PHT - 07



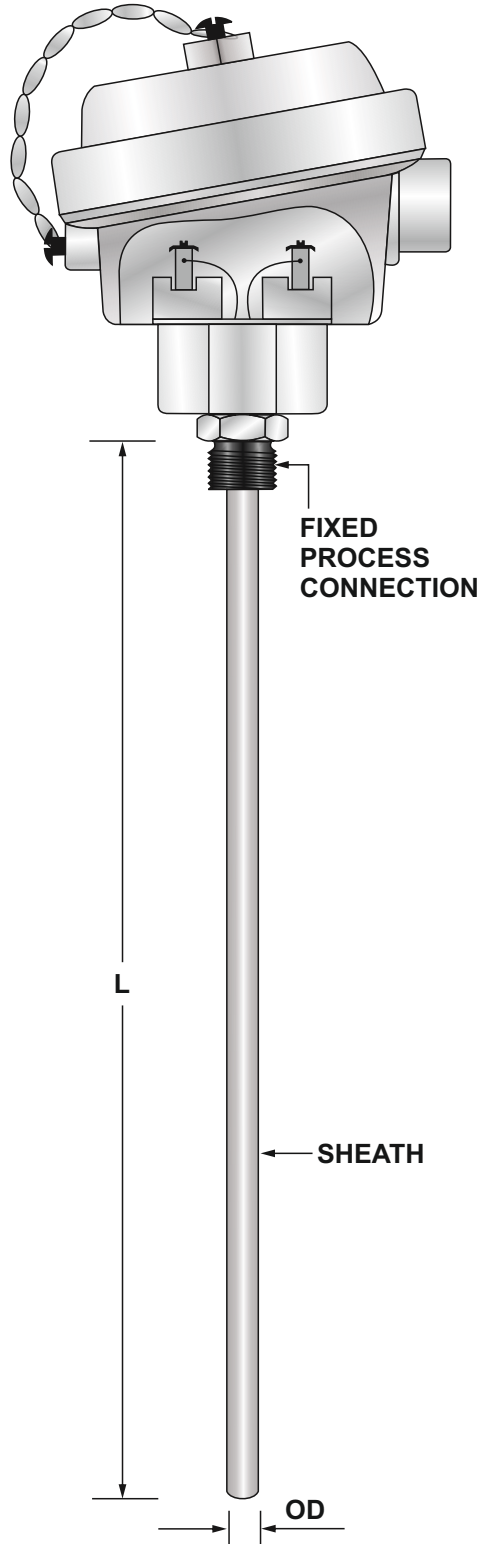
Element	<input type="text"/>	K	Chromel / Alumel
		J	Iron / Constantan
		O	Consult Factory
Configuration	<input type="text"/>	SX	Simplex
		DX	Duplex
Termination	<input type="text"/>	W	Weather Proof Head IP-67
		F	Ex. Proof Head IIA / IIB IP-66
		O	Consult Factory
Junction	<input type="text"/>	UN	Ungrounded
Temp. Range	<input type="text"/>	Specify	
Sheath Material (Flexible)	<input type="text"/>	316	MI SS 316
		310	MI SS 310
		600	MI Inconel 600
Sheath "OD"	<input type="text"/>	3	3mm (Simplex Only)
		4.5	4.5mm
		6	6mm
		8	8mm
Fixed Process Connection	<input type="text"/>	Threads BSP / NPT	1/4" 3/8" 1/2" 3/4" 1" 1 1/4" 1 1/2" 2"
		M -Threads	M18 X 1.5 M20 X 1.5 M27 X 2 M33 X 2
		O	Consult Factory
		Specify	
Sheath Length "L"	<input type="text"/>	Specify	

*Available in Simplex Assembly only

Process Precision Instruments

THERMOCOUPLE HEAD TYPE WITH FIXED PROCESS CONNECTION (MINERAL INSULATED)

PHT - 08



Element	<input type="text"/>	K	Chromel / Alumel
		J	Iron / Constantan
		O	Consult Factory
Configuration	<input type="text"/>	SX	Simplex
		DX	Duplex
Termination	<input type="text"/>	W	Weather Proof Head IP-67
		F	Ex. Proof Head IIA / IIB IP-66
		O	Consult Factory
Junction	<input type="text"/>	UN	Ungrounded
Temp. Range	<input type="text"/>	Specify	
Sheath Material (Flexible)	<input type="text"/>	316	MI SS 316
		310	MI SS 310
		600	MI Inconel 600
Sheath "OD"	<input type="text"/>	3	3mm (Simplex Only)
		4.5	4.5mm
		6	6mm
		8	8mm
Fixed Process Connection	<input type="text"/>	Threads BSP / NPT	1/4" 3/8" 1/2" 3/4" 1" 1 1/4" 1 1/2" 2"
		M -Threads	M18 X 1.5 M20 X 1.5 M27 X 2 M33 X 2
		O	Consult Factory
Sheath Length "L"	<input type="text"/>	Specify	

*Available in Simplex Assembly only

Process Precision Instruments

101, Diamond Industrial Estate, Navghar, Vasai Road (E), Dist. Palghar - 401210, Maharashtra, India

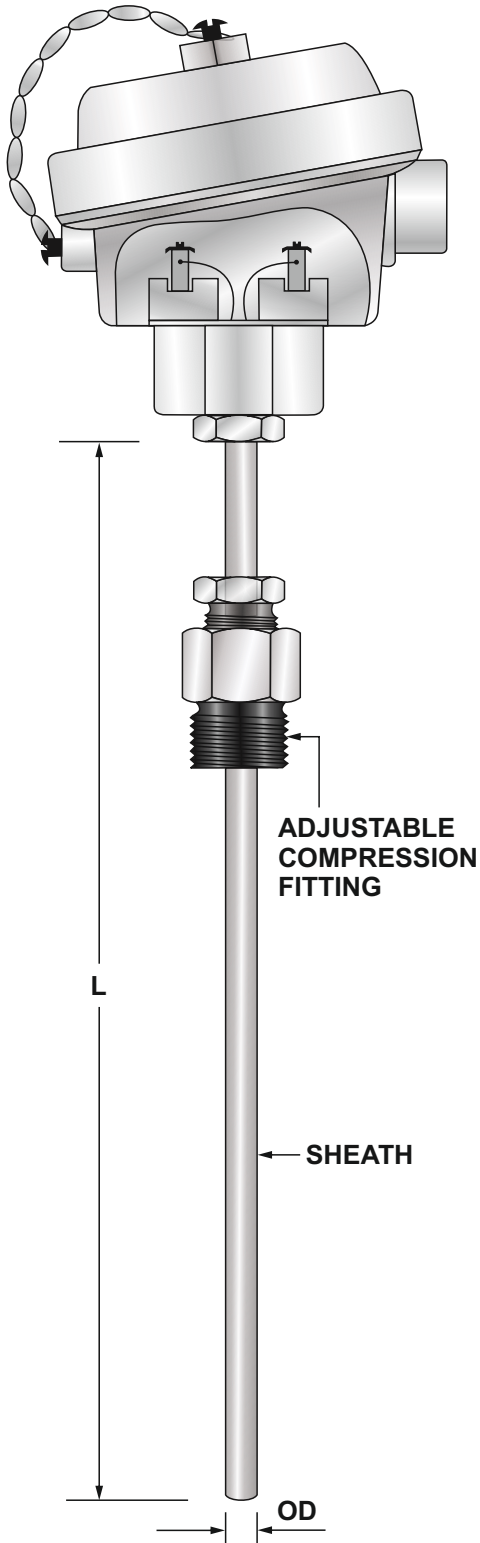
Sales : 8208199048 / 8208141446 Support : 07498799226 / 08767395333

sales@ppiindia.net www.ppiindia.net



THERMOCOUPLE HEAD TYPE WITH ADJUSTABLE COMPRESSION FITTING (MINERAL INSULATED)

PHT - 09



Element	<input type="text"/>	K	Chromel / Alumel
		J	Iron / Constantan
		O	Consult Factory
Configuration	<input type="text"/>	SX	Simplex
		DX	Duplex
Termination	<input type="text"/>	W	Weather Proof Head IP-67
		F	Ex. Proof Head IIA / IIB IP-66
		O	Consult Factory
Junction	<input type="text"/>	UN	Ungrounded
Temp. Range	<input type="text"/>	Specify	
Sheath Material (Flexible)	<input type="text"/>	316	MI SS 316
		310	MI SS 310
		600	MI Inconel 600
Sheath "OD"	<input type="text"/>	3	3mm (Simplex Only)
		4.5	4.5mm
		6	6mm
		8	8mm
Adjustable Compression Fitting	<input type="text"/>	Threads BSP / NPT	1/4" 3/8" 1/2" 3/4"
			1" 1 1/4" 1 1/2" 2"
		M -Threads	M18 X 1.5 M20 X 1.5
			M27 X 2 M33 X 2
O	Consult Factory		
Sheath Length "L"	<input type="text"/>	Specify	

*Available in Simplex Assembly only

Process Precision Instruments

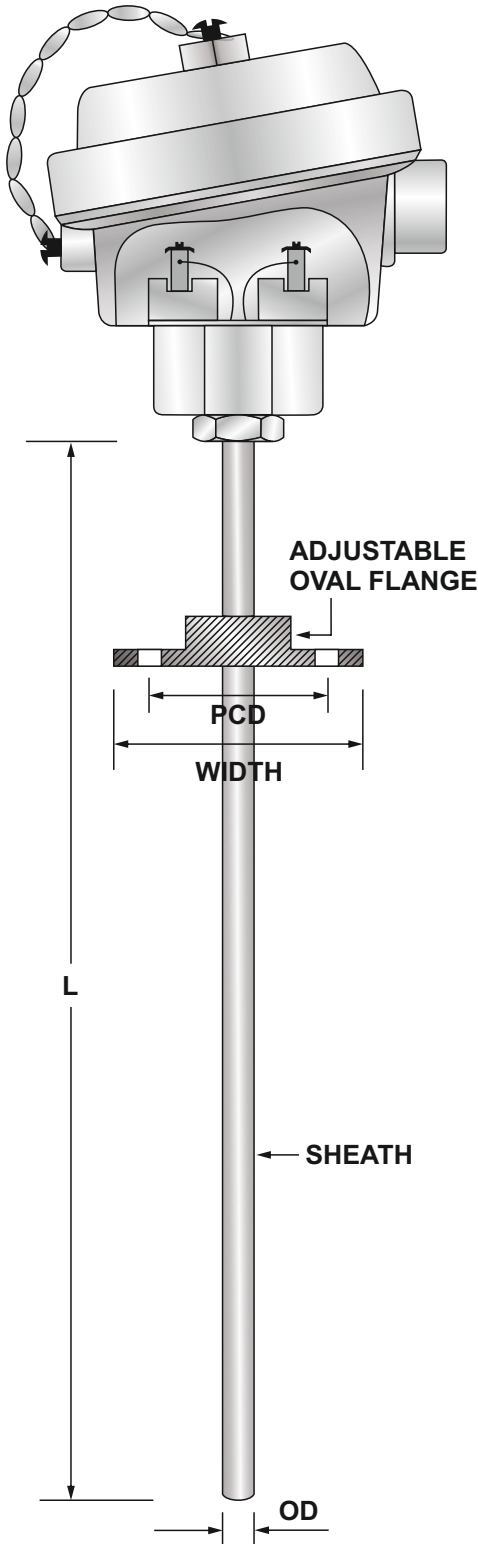
101, Diamond Industrial Estate, Navghar, Vasai Road (E), Dist. Palghar - 401210, Maharashtra, India

Sales : 8208199048 / 8208141446 Support : 07498799226 / 08767395333

sales@ppiindia.net www.ppiindia.net

THERMOCOUPLE HEAD TYPE WITH ADJUSTABLE OVAL FLANGE (MINERAL INSULATED)

PHT - 10



Element	<input type="text"/>	K	Chromel / Alumel
		J	Iron / Constantan
		O	Consult Factory
Configuration	<input type="text"/>	SX	Simplex
		DX	Duplex
Termination	<input type="text"/>	W	Weather Proof Head IP-67
		F	Ex. Proof Head IIA / IIB IP-66
		O	Consult Factory
Junction	<input type="text"/>	UN	Ungrounded
Temp. Range	<input type="text"/>	Specify	
Sheath Material (Flexible)	<input type="text"/>	316	MI SS 316
		310	MI SS 310
		600	MI Inconel 600
Sheath "OD"	<input type="text"/>	3	3mm (Simplex Only)
		4.5	4.5mm
		6	6mm
		8	8mm
Adjustable Oval Flange	<input type="text"/>	WIDTH (Specify)	
		PCD (Specify)	
Sheath Length "L"	<input type="text"/>	Specify	

*Available in Simplex Assembly only

Process Precision Instruments

101, Diamond Industrial Estate, Navghar, Vasai Road (E), Dist. Palghar - 401210, Maharashtra, India

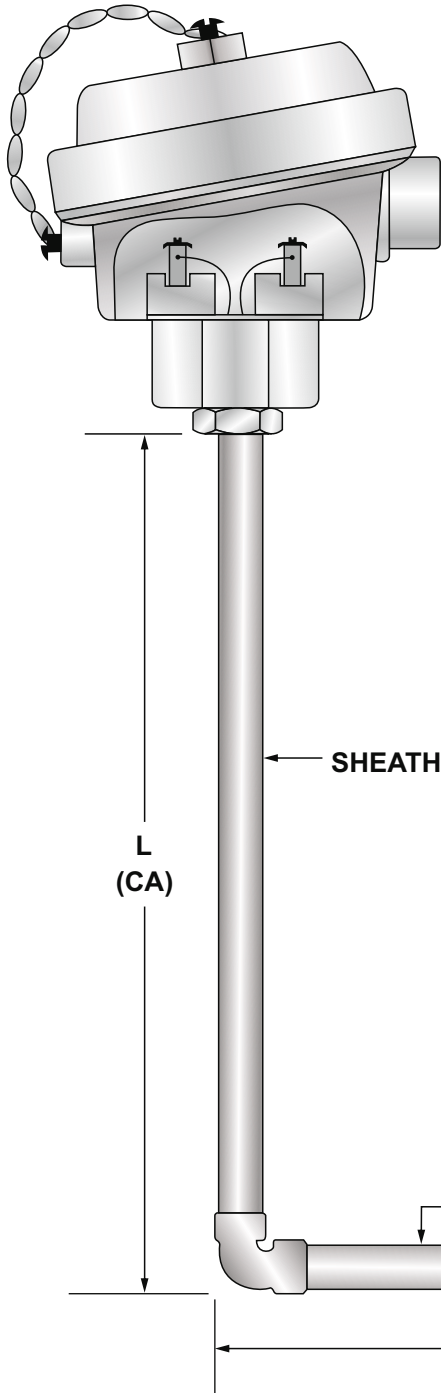
Sales : 8208199048 / 8208141446 Support : 07498799226 / 08767395333

sales@ppiindia.net www.ppiindia.net



THERMOCOUPLE HEAD TYPE L-SHAPED

PHT - 11



Element	<input type="text"/>	K	Chromel / Alumel
Configuration	<input type="text"/>	SX	Simplex
		DX	Duplex
Termination	<input type="text"/>	W	Weather Proof Head IP-67
		F	Ex. Proof Head IIA / IIB IP-66
		O	Consult Factory
Junction	<input type="text"/>	GN	Grounded
		UN	Ungrounded
Temp. Range	<input type="text"/>	Specify	
Sheath Material	<input type="text"/>	316	SS 316
		310	SS 310
		600	Inconel 600
Sheath "OD"	<input type="text"/>	19	19mm
		O	Consult Factory
Sheath Length "L"	<input type="text"/>	HA	Specify
		CA	Specify

Process Precision Instruments

101, Diamond Industrial Estate, Navghar, Vasai Road (E), Dist. Palghar - 401210, Maharashtra, India

Sales : 8208199048 / 8208141446 Support : 07498799226 / 08767395333

sales@ppiindia.net www.ppiindia.net