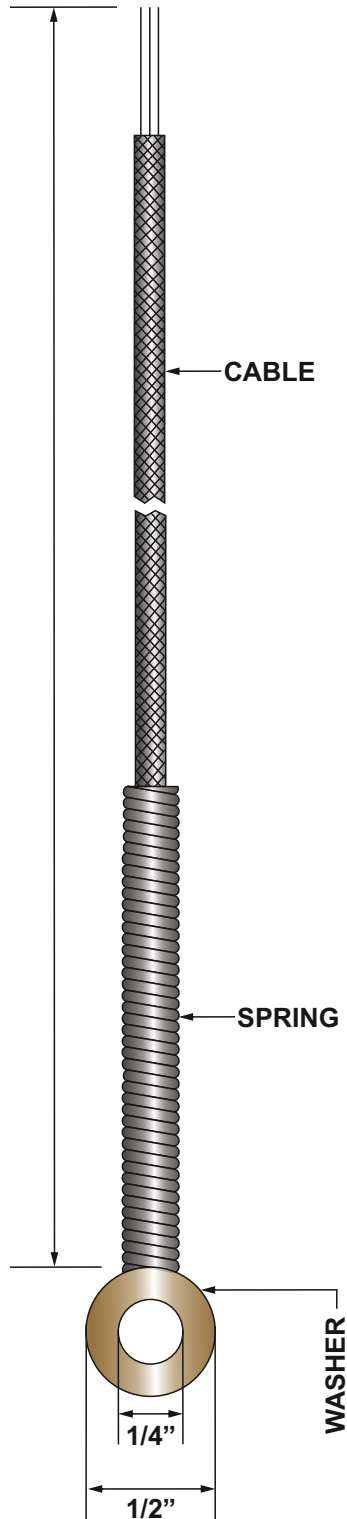




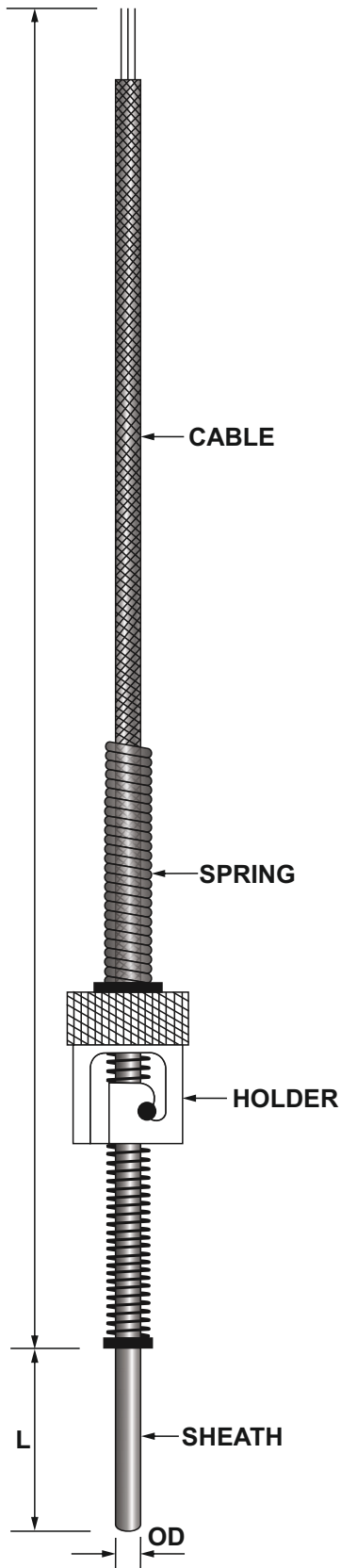
WR - 01



Element	<input type="text"/>	A	Pt- 100 x 1, Simplex
		O	Consult Factory
Configuration	<input type="text"/>	J2	2 - Wire
		J3	3 - Wire
		O	Consult Factory
Temp. Range	<input type="text"/>	T1	-20 to 250°C
		T2	-150 to 400°C
		O	Consult Factory
Washer Material	<input type="text"/>	B	BRASS
		O	Consult Factory
Washer OD / ID	<input type="text"/>	A	1/2" / 1/4"
		O	Consult Factory
Type of Cable	<input type="text"/>	A	PTFE / PTFE
		B	PTFE / FG / SSB
Lenght of Cable	<input type="text"/>	Specify	
Termination	<input type="text"/>	Refer Termination Styles Sheet	



BR - 01



Element	A	Pt- 100 x 1, Simplex
	O	Consult Factory
Configuration	J2	2 - Wire
	J3	3 - Wire
	O	Consult Factory
Temp. Range	T1	-20 to 250°C
	T2	-150 to 400°C
	O	Consult Factory
Sheath Material	316	SS 316
	O	Consult Factory
Tip "OD"	3	3mm
	4.7	4.7mm
	6	6mm
	O	Consult Factory
Tip "L"	Specify	
Holder (ID)	A	1/2"
	B	16mm
	O	Consult Factory
Type of Cable	A	PTFE / PTFE
	B	PTFE / FG / SSB
Length of Cable	Specify	
Termination	Refer Termination Styles Sheet	

Process Precision Instruments

101, Diamond Industrial Estate, Navghar, Vasai Road (E), Dist. Palghar - 401210, Maharashtra, India

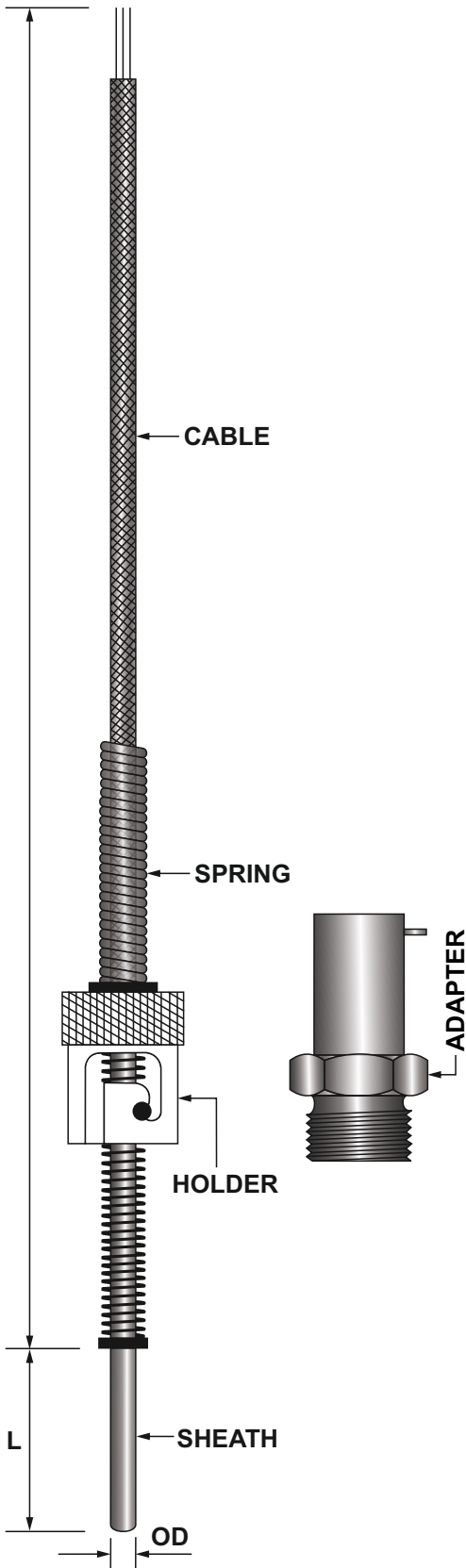
Sales : 8208199048 / 8208141446 Support : 07498799226 / 08767395333

sales@ppiindia.net www.ppiindia.net



RTD BAYONET (SPRING LOADED) WITH ADAPTER

BR - 02



Element	<input type="text"/>	A	Pt- 100 x 1, Simplex
		O	Consult Factory
Configuration	<input type="text"/>	J2	2 - Wire
		J3	3 - Wire
		O	Consult Factory
Temp. Range	<input type="text"/>	T1	-20 to 250°C
		T2	-150 to 400°C
		O	Consult Factory
Sheath Material	<input type="text"/>	316	SS 316
		O	Consult Factory
Tip "OD"	<input type="text"/>	3	3mm
		4.7	4.7mm
		6	6mm
		O	Consult Factory
Tip "L"	<input type="text"/>	Specify	
Holder (ID)	<input type="text"/>	A	1/2"
		B	16mm
		O	Consult Factory
Adapter	<input type="text"/>	A	1/8" BSP
		B	1/2" BSW
		C	M 12
		D	M 14
		O	Consult Factory
Type of Cable	<input type="text"/>	A	PTFE / PTFE
		B	PTFE / FG / SSB
Length of Cable	<input type="text"/>	Specify	
Termination	<input type="text"/>	Refer Termination Styles Sheet	

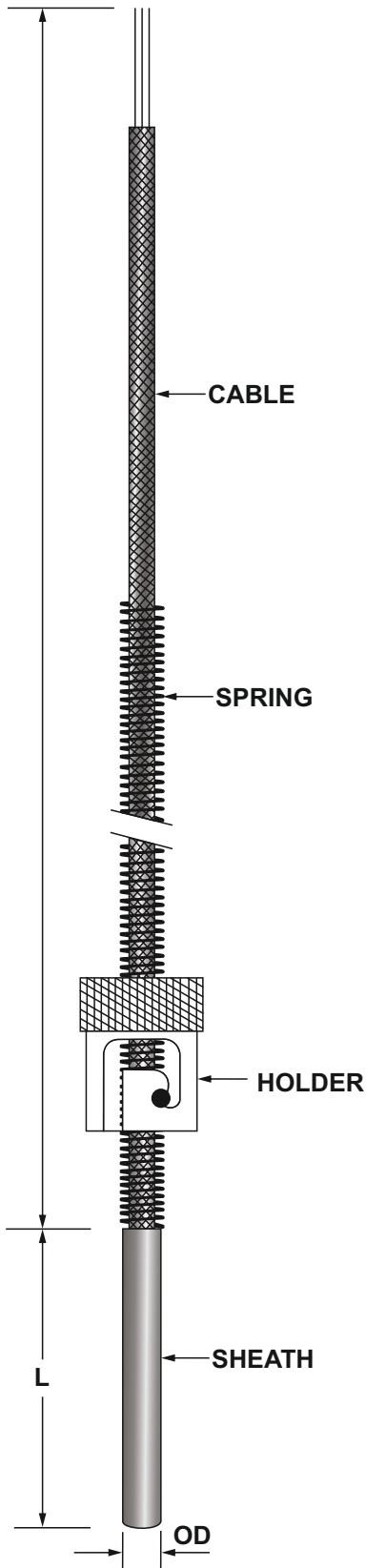
Process Precision Instruments

📍 101, Diamond Industrial Estate, Navghar, Vasai Road (E), Dist. Palghar - 401210, Maharashtra, India

☎ Sales : 8208199048 / 8208141446 Support : 07498799226 / 08767395333

✉ sales@ppiindia.net 🖱 www.ppiindia.net

BR - 03



Element	<input type="text"/>	A	Pt- 100 x 1, Simplex
		O	Consult Factory
Configuration	<input type="text"/>	J2	2 - Wire
		J3	3 - Wire
		O	Consult Factory
Temp. Range	<input type="text"/>	T1	-20 to 250°C
		T2	-150 to 400°C
		O	Consult Factory
Sheath Material	<input type="text"/>	316	SS 316
		O	Consult Factory
Tip "OD"	<input type="text"/>	3	3mm
		4.7	4.7mm
		6	6mm
		O	Consult Factory
Tip "L"	<input type="text"/>	Specify	
Holder (ID)	<input type="text"/>	A	1/2"
		B	16mm
		O	Consult Factory
Type of Cable	<input type="text"/>	A	PTFE / PTFE
		B	PTFE / FG / SSB
Length of Cable	<input type="text"/>	Specify	
Termination	<input type="text"/>	Refer Termination Styles Sheet	

Process Precision Instruments

📍 101, Diamond Industrial Estate, Navghar, Vasai Road (E), Dist. Palghar - 401210, Maharashtra, India

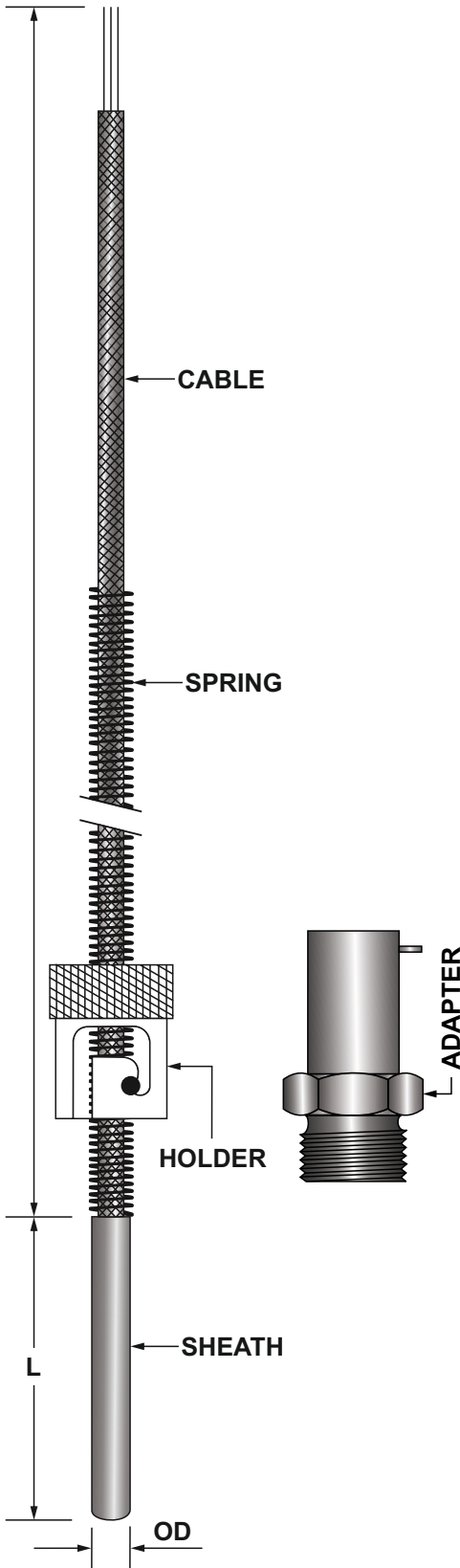
☎ Sales : 8208199048 / 8208141446 Support : 07498799226 / 08767395333

✉ sales@ppiindia.net 🖱 www.ppiindia.net



RTD BAYONET (ADJUSTABLE) WITH ADAPTER

BR - 04



Element	<input type="text"/>	A	Pt- 100 x 1, Simplex
		O	Consult Factory
Configuration	<input type="text"/>	J2	2 - Wire
		J3	3 - Wire
		O	Consult Factory
Temp. Range	<input type="text"/>	T1	-20 to 250°C
		T2	-150 to 400°C
		O	Consult Factory
Sheath Material	<input type="text"/>	316	SS 316
		O	Consult Factory
Tip "OD"	<input type="text"/>	3	3mm
		4.7	4.7mm
		6	6mm
		O	Consult Factory
Tip "L"	<input type="text"/>	Specify	
Holder (ID)	<input type="text"/>	A	1/2"
		B	16mm
		O	Consult Factory
Adapter	<input type="text"/>	A	1/8" BSP
		B	1/2" BSW
		C	M 12
		D	M 14
		O	Consult Factory
Type of Cable	<input type="text"/>	A	PTFE / PTFE
		B	PTFE / FG / SSB
Lenght of Cable	<input type="text"/>	Specify	
Termination	<input type="text"/>	Refer Termination Styles Sheet	

Process Precision Instruments

📍 101, Diamond Industrial Estate, Navghar, Vasai Road (E), Dist. Palghar - 401210, Maharashtra, India

☎ Sales : 8208199048 / 8208141446 Support : 07498799226 / 08767395333

✉ sales@ppiindia.net 🖱 www.ppiindia.net