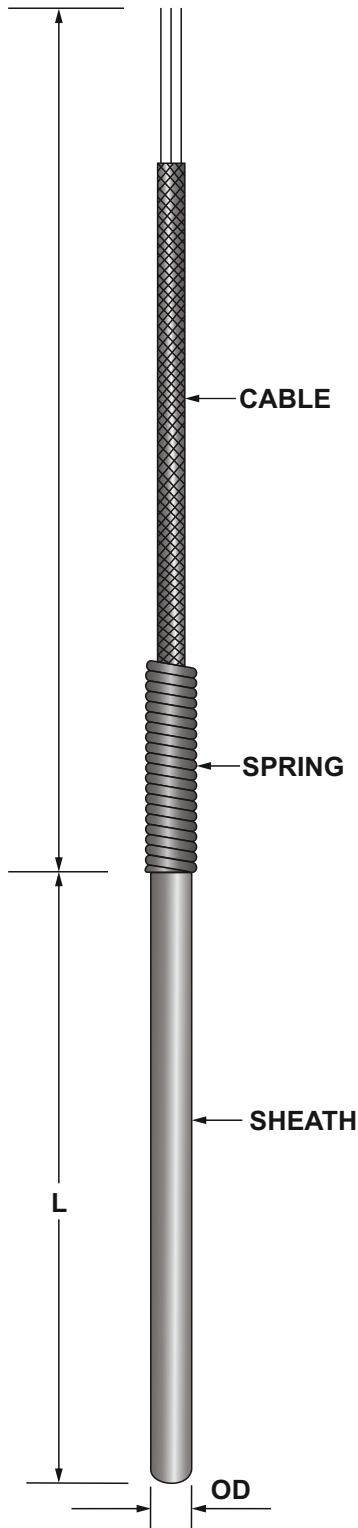


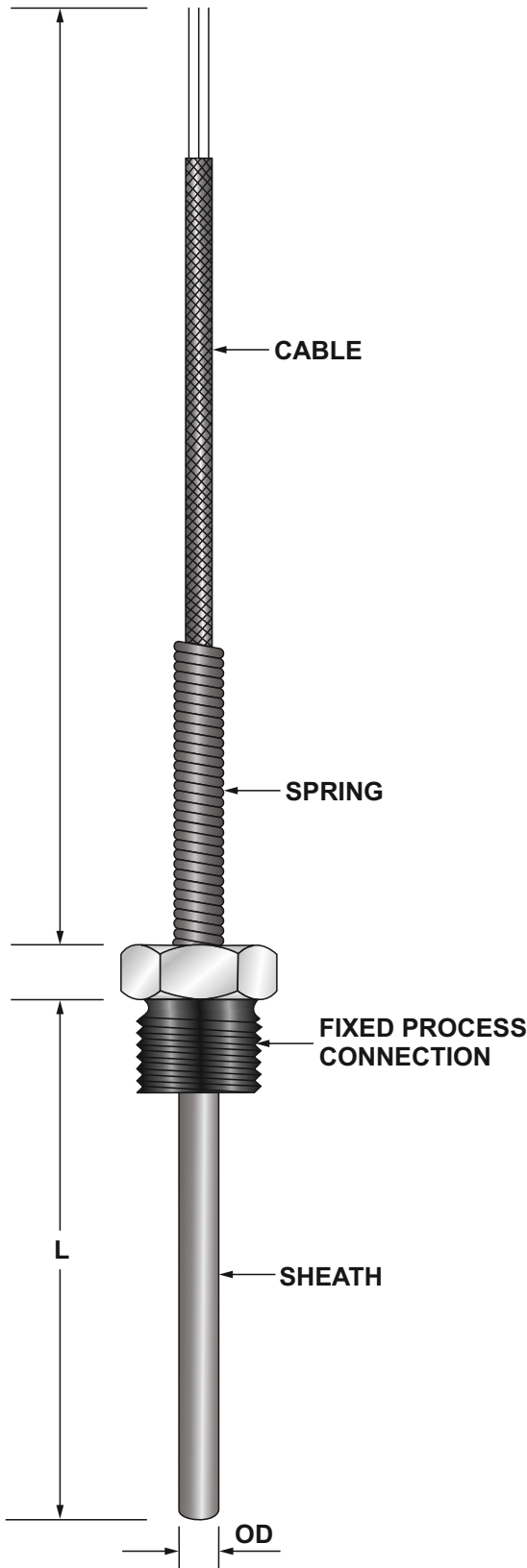


**TJR - 01**



Element	<input type="text"/>	<table border="1"> <tr><td>A</td><td>Pt- 100 x 1, Simplex</td></tr> <tr><td>B</td><td>Pt- 100 x 2, Duplex</td></tr> <tr><td>O</td><td>Consult Factory</td></tr> </table>	A	Pt- 100 x 1, Simplex	B	Pt- 100 x 2, Duplex	O	Consult Factory				
A	Pt- 100 x 1, Simplex											
B	Pt- 100 x 2, Duplex											
O	Consult Factory											
Configuration	<input type="text"/>	<table border="1"> <tr><td>J2</td><td>2 - Wire</td></tr> <tr><td>J3</td><td>3 - Wire</td></tr> <tr><td>J4</td><td>4 - Wire (Simplex Only)</td></tr> <tr><td>O</td><td>Consult Factory</td></tr> </table>	J2	2 - Wire	J3	3 - Wire	J4	4 - Wire (Simplex Only)	O	Consult Factory		
J2	2 - Wire											
J3	3 - Wire											
J4	4 - Wire (Simplex Only)											
O	Consult Factory											
Temp. Range	<input type="text"/>	<table border="1"> <tr><td>T1</td><td>-20 to 250°C</td></tr> <tr><td>T2</td><td>-150 to 400°C</td></tr> <tr><td>O</td><td>Consult Factory</td></tr> </table>	T1	-20 to 250°C	T2	-150 to 400°C	O	Consult Factory				
T1	-20 to 250°C											
T2	-150 to 400°C											
O	Consult Factory											
Sheath Material	<input type="text"/>	<table border="1"> <tr><td>316</td><td>SS 316</td></tr> <tr><td>O</td><td>Consult Factory</td></tr> </table>	316	SS 316	O	Consult Factory						
316	SS 316											
O	Consult Factory											
Sheath "OD"	<input type="text"/>	<table border="1"> <tr><td>3</td><td>3mm (Simplex Only)</td></tr> <tr><td>4</td><td>4mm</td></tr> <tr><td>6</td><td>6mm</td></tr> <tr><td>8</td><td>8mm</td></tr> <tr><td>O</td><td>Consult Factory</td></tr> </table>	3	3mm (Simplex Only)	4	4mm	6	6mm	8	8mm	O	Consult Factory
3	3mm (Simplex Only)											
4	4mm											
6	6mm											
8	8mm											
O	Consult Factory											
Type of Cable	<input type="text"/>	<table border="1"> <tr><td>A</td><td>PTFE / PTFE</td></tr> <tr><td>B</td><td>PTFE / FG / SSB</td></tr> </table>	A	PTFE / PTFE	B	PTFE / FG / SSB						
A	PTFE / PTFE											
B	PTFE / FG / SSB											
Length of Cable	<input type="text"/>	<input type="text" value="Specify"/>										
Termination	<input type="text"/>	<input type="text" value="Refer Termination Styles Sheet"/>										
Sheath Length "L"	<input type="text"/>	<input type="text" value="Specify"/>										

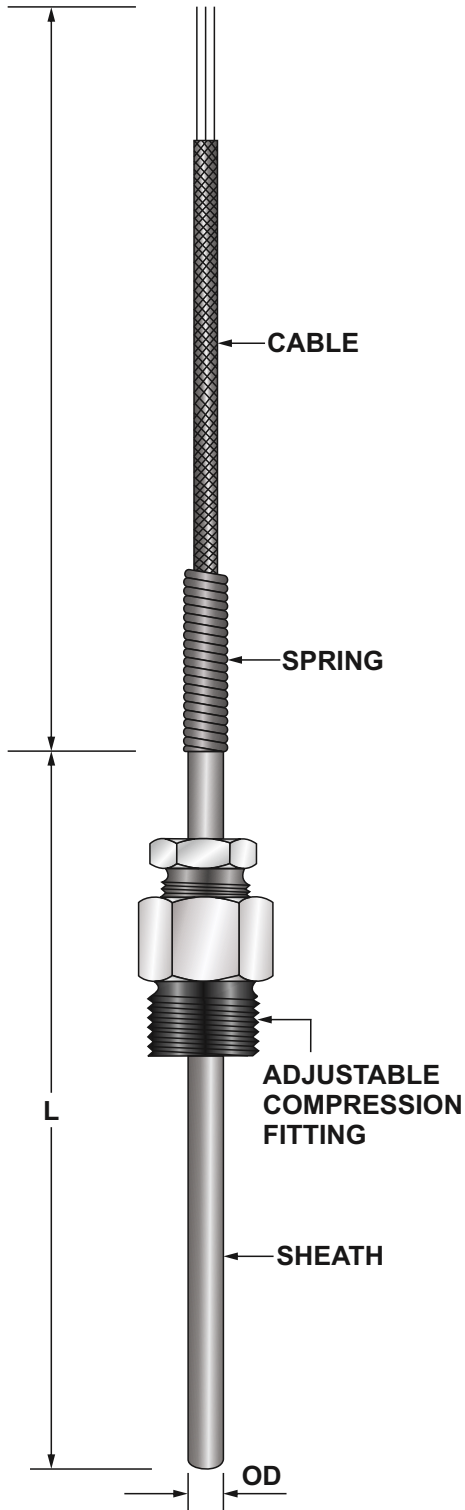
## TJR - 02



Element	<input type="text"/>	<table border="1"> <tr><td>A</td><td>Pt- 100 x 1, Simplex</td></tr> <tr><td>B</td><td>Pt- 100 x 2, Duplex</td></tr> <tr><td>O</td><td>Consult Factory</td></tr> </table>	A	Pt- 100 x 1, Simplex	B	Pt- 100 x 2, Duplex	O	Consult Factory																	
A	Pt- 100 x 1, Simplex																								
B	Pt- 100 x 2, Duplex																								
O	Consult Factory																								
Configuration	<input type="text"/>	<table border="1"> <tr><td>J2</td><td>2 - Wire</td></tr> <tr><td>J3</td><td>3 - Wire</td></tr> <tr><td>J4</td><td>4 - Wire (Simplex Only)</td></tr> <tr><td>O</td><td>Consult Factory</td></tr> </table>	J2	2 - Wire	J3	3 - Wire	J4	4 - Wire (Simplex Only)	O	Consult Factory															
J2	2 - Wire																								
J3	3 - Wire																								
J4	4 - Wire (Simplex Only)																								
O	Consult Factory																								
Temp. Range	<input type="text"/>	<table border="1"> <tr><td>T1</td><td>-20 to 250°C</td></tr> <tr><td>T2</td><td>-150 to 400°C</td></tr> <tr><td>O</td><td>Consult Factory</td></tr> </table>	T1	-20 to 250°C	T2	-150 to 400°C	O	Consult Factory																	
T1	-20 to 250°C																								
T2	-150 to 400°C																								
O	Consult Factory																								
Sheath Material	<input type="text"/>	<table border="1"> <tr><td>316</td><td>SS 316</td></tr> <tr><td>O</td><td>Consult Factory</td></tr> </table>	316	SS 316	O	Consult Factory																			
316	SS 316																								
O	Consult Factory																								
Sheath "OD"	<input type="text"/>	<table border="1"> <tr><td>3</td><td>3mm (Simplex Only)</td></tr> <tr><td>4</td><td>4mm</td></tr> <tr><td>6</td><td>6mm</td></tr> <tr><td>8</td><td>8mm</td></tr> <tr><td>O</td><td>Consult Factory</td></tr> </table>	3	3mm (Simplex Only)	4	4mm	6	6mm	8	8mm	O	Consult Factory													
3	3mm (Simplex Only)																								
4	4mm																								
6	6mm																								
8	8mm																								
O	Consult Factory																								
Fixed Process Connection	<input type="text"/>	<table border="1"> <tr> <td rowspan="2">Threads BSP / NPT</td> <td>1/4"</td> <td>3/8"</td> <td>1/2"</td> <td>3/4"</td> </tr> <tr> <td>1"</td> <td>1 1/4"</td> <td>1 1/2"</td> <td>2"</td> </tr> <tr> <td rowspan="2">M -Threads</td> <td colspan="2">M18 X 1.5</td> <td colspan="2">M20 X 1.5</td> </tr> <tr> <td colspan="2">M27 X 2</td> <td colspan="2">M33 X 2</td> </tr> <tr> <td>O</td> <td colspan="4">Consult Factory</td> </tr> </table>	Threads BSP / NPT	1/4"	3/8"	1/2"	3/4"	1"	1 1/4"	1 1/2"	2"	M -Threads	M18 X 1.5		M20 X 1.5		M27 X 2		M33 X 2		O	Consult Factory			
Threads BSP / NPT	1/4"	3/8"		1/2"	3/4"																				
	1"	1 1/4"	1 1/2"	2"																					
M -Threads	M18 X 1.5		M20 X 1.5																						
	M27 X 2		M33 X 2																						
O	Consult Factory																								
Type of Cable	<input type="text"/>	<table border="1"> <tr><td>A</td><td>PTFE / PTFE</td></tr> <tr><td>B</td><td>PTFE / FG / SSB</td></tr> </table>	A	PTFE / PTFE	B	PTFE / FG / SSB																			
A	PTFE / PTFE																								
B	PTFE / FG / SSB																								
Length of Cable	<input type="text"/>	<input type="text" value="Specify"/>																							
Termination	<input type="text"/>	<input type="text" value="Refer Termination Styles Sheet"/>																							
Sheath Length "L"	<input type="text"/>	<input type="text" value="Specify"/>																							

### Process Precision Instruments

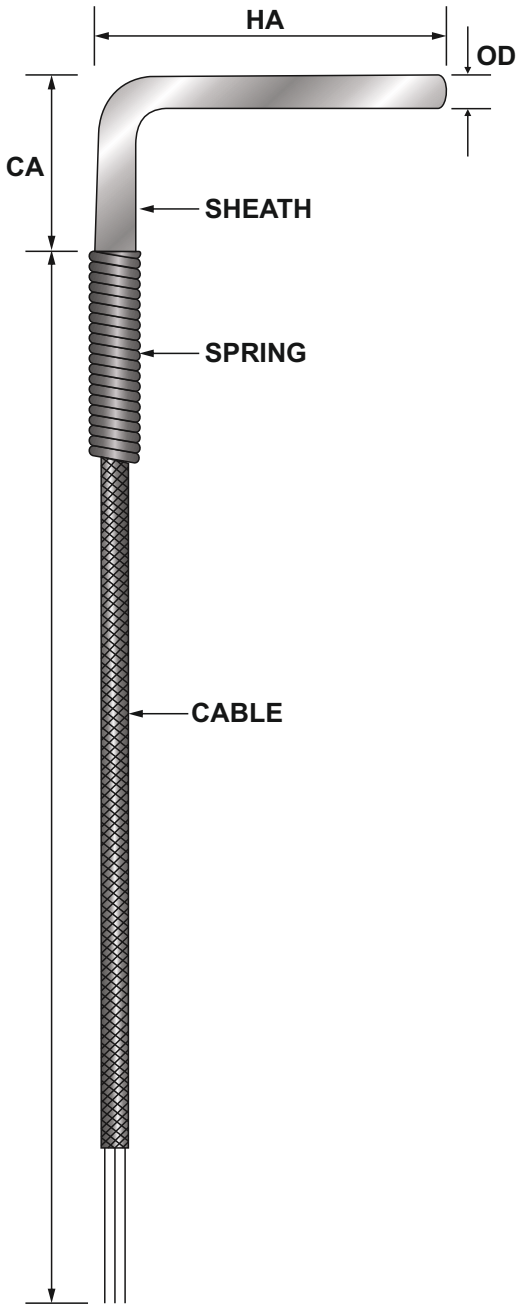
**TJR - 03**



Element	<input type="text"/>	<table border="1"> <tr><td>A</td><td>Pt- 100 x 1, Simplex</td></tr> <tr><td>B</td><td>Pt- 100 x 2, Duplex</td></tr> <tr><td>O</td><td>Consult Factory</td></tr> </table>	A	Pt- 100 x 1, Simplex	B	Pt- 100 x 2, Duplex	O	Consult Factory																	
A	Pt- 100 x 1, Simplex																								
B	Pt- 100 x 2, Duplex																								
O	Consult Factory																								
Configuration	<input type="text"/>	<table border="1"> <tr><td>J2</td><td>2 - Wire</td></tr> <tr><td>J3</td><td>3 - Wire</td></tr> <tr><td>J4</td><td>4 - Wire (Simplex Only)</td></tr> <tr><td>O</td><td>Consult Factory</td></tr> </table>	J2	2 - Wire	J3	3 - Wire	J4	4 - Wire (Simplex Only)	O	Consult Factory															
J2	2 - Wire																								
J3	3 - Wire																								
J4	4 - Wire (Simplex Only)																								
O	Consult Factory																								
Temp. Range	<input type="text"/>	<table border="1"> <tr><td>T1</td><td>-20 to 250°C</td></tr> <tr><td>T2</td><td>-150 to 400°C</td></tr> <tr><td>O</td><td>Consult Factory</td></tr> </table>	T1	-20 to 250°C	T2	-150 to 400°C	O	Consult Factory																	
T1	-20 to 250°C																								
T2	-150 to 400°C																								
O	Consult Factory																								
Sheath Material	<input type="text"/>	<table border="1"> <tr><td>316</td><td>SS 316</td></tr> <tr><td>O</td><td>Consult Factory</td></tr> </table>	316	SS 316	O	Consult Factory																			
316	SS 316																								
O	Consult Factory																								
Sheath "OD"	<input type="text"/>	<table border="1"> <tr><td>3</td><td>3mm (Simplex Only)</td></tr> <tr><td>4</td><td>4mm</td></tr> <tr><td>6</td><td>6mm</td></tr> <tr><td>8</td><td>8mm</td></tr> <tr><td>O</td><td>Consult Factory</td></tr> </table>	3	3mm (Simplex Only)	4	4mm	6	6mm	8	8mm	O	Consult Factory													
3	3mm (Simplex Only)																								
4	4mm																								
6	6mm																								
8	8mm																								
O	Consult Factory																								
Adjustable Compression Fitting	<input type="text"/>	<table border="1"> <tr> <td rowspan="2">Threads BSP / NPT</td> <td>1/4"</td> <td>3/8"</td> <td>1/2"</td> <td>3/4"</td> </tr> <tr> <td>1"</td> <td>1 1/4"</td> <td>1 1/2"</td> <td>2"</td> </tr> <tr> <td rowspan="2">M -Threads</td> <td colspan="2">M18 X 1.5</td> <td colspan="2">M20 X 1.5</td> </tr> <tr> <td colspan="2">M27 X 2</td> <td colspan="2">M33 X 2</td> </tr> <tr> <td>O</td> <td colspan="4">Consult Factory</td> </tr> </table>	Threads BSP / NPT	1/4"	3/8"	1/2"	3/4"	1"	1 1/4"	1 1/2"	2"	M -Threads	M18 X 1.5		M20 X 1.5		M27 X 2		M33 X 2		O	Consult Factory			
Threads BSP / NPT	1/4"	3/8"		1/2"	3/4"																				
	1"	1 1/4"	1 1/2"	2"																					
M -Threads	M18 X 1.5		M20 X 1.5																						
	M27 X 2		M33 X 2																						
O	Consult Factory																								
Type of Cable	<input type="text"/>	<table border="1"> <tr><td>A</td><td>PTFE / PTFE</td></tr> <tr><td>B</td><td>PTFE / FG / SSB</td></tr> </table>	A	PTFE / PTFE	B	PTFE / FG / SSB																			
A	PTFE / PTFE																								
B	PTFE / FG / SSB																								
Length of Cable	<input type="text"/>	<input type="text" value="Specify"/>																							
Termination	<input type="text"/>	<input type="text" value="Refer Termination Styles Sheet"/>																							
Sheath Length "L"	<input type="text"/>	<input type="text" value="Specify"/>																							



**TJR - 04**



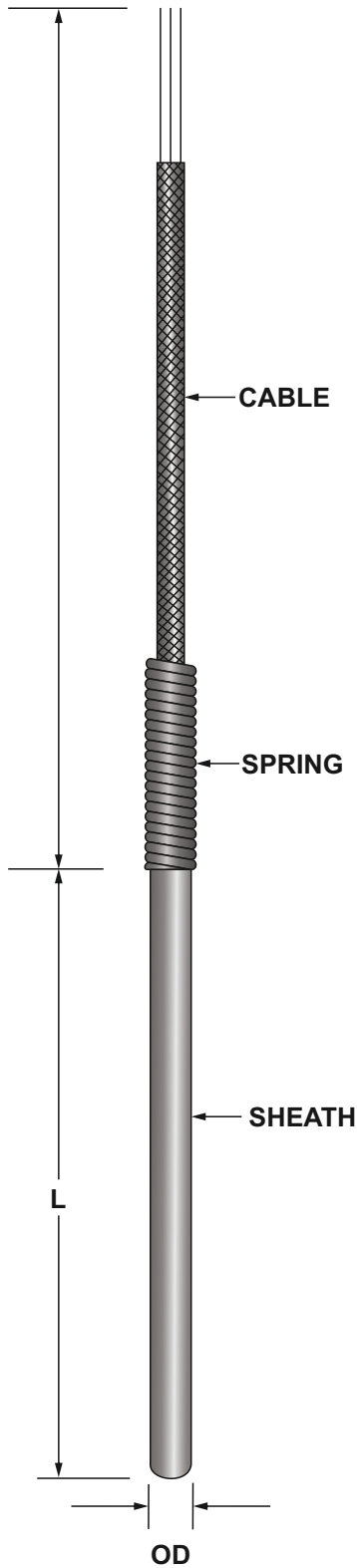
Element	<input type="text"/>	<table border="1"> <tr><td>A</td><td>Pt- 100 x 1, Simplex</td></tr> <tr><td>B</td><td>Pt- 100 x 2, Duplex</td></tr> <tr><td>O</td><td>Consult Factory</td></tr> </table>	A	Pt- 100 x 1, Simplex	B	Pt- 100 x 2, Duplex	O	Consult Factory				
A	Pt- 100 x 1, Simplex											
B	Pt- 100 x 2, Duplex											
O	Consult Factory											
Configuration	<input type="text"/>	<table border="1"> <tr><td>J2</td><td>2 - Wire</td></tr> <tr><td>J3</td><td>3 - Wire</td></tr> <tr><td>J4</td><td>4 - Wire (Simplex Only)</td></tr> <tr><td>O</td><td>Consult Factory</td></tr> </table>	J2	2 - Wire	J3	3 - Wire	J4	4 - Wire (Simplex Only)	O	Consult Factory		
J2	2 - Wire											
J3	3 - Wire											
J4	4 - Wire (Simplex Only)											
O	Consult Factory											
Temp. Range	<input type="text"/>	<table border="1"> <tr><td>T1</td><td>-20 to 250°C</td></tr> <tr><td>T2</td><td>-150 to 400°C</td></tr> <tr><td>O</td><td>Consult Factory</td></tr> </table>	T1	-20 to 250°C	T2	-150 to 400°C	O	Consult Factory				
T1	-20 to 250°C											
T2	-150 to 400°C											
O	Consult Factory											
Sheath Material	<input type="text"/>	<table border="1"> <tr><td>316</td><td>SS 316</td></tr> <tr><td>O</td><td>Consult Factory</td></tr> </table>	316	SS 316	O	Consult Factory						
316	SS 316											
O	Consult Factory											
Sheath "OD"	<input type="text"/>	<table border="1"> <tr><td>3</td><td>3mm (Simplex Only)</td></tr> <tr><td>4</td><td>4mm</td></tr> <tr><td>6</td><td>6mm</td></tr> <tr><td>8</td><td>8mm</td></tr> <tr><td>O</td><td>Consult Factory</td></tr> </table>	3	3mm (Simplex Only)	4	4mm	6	6mm	8	8mm	O	Consult Factory
3	3mm (Simplex Only)											
4	4mm											
6	6mm											
8	8mm											
O	Consult Factory											
Type of Cable	<input type="text"/>	<table border="1"> <tr><td>A</td><td>PTFE / PTFE</td></tr> <tr><td>B</td><td>PTFE / FG / SSB</td></tr> </table>	A	PTFE / PTFE	B	PTFE / FG / SSB						
A	PTFE / PTFE											
B	PTFE / FG / SSB											
Length of Cable	<input type="text"/>	<input type="text" value="Specify"/>										
Termination	<input type="text"/>	<input type="text" value="Refer Termination Styles Sheet"/>										
Sheath Length "L"	<input type="text"/>	<table border="1"> <tr><td>HA</td><td>Specify</td></tr> <tr><td>CA</td><td>Specify</td></tr> </table>	HA	Specify	CA	Specify						
HA	Specify											
CA	Specify											

**Process Precision Instruments**



# TRANSITION JOINT RTD (MINERAL INSULATED)

**TJR - 05**



Element	<input type="text"/>	A	Pt- 100 x 1, Simplex
	<input type="text"/>	B	Pt- 100 x 2, Duplex
	<input type="text"/>	O	Consult Factory

Configuration	<input type="text"/>	J2	2 - Wire
	<input type="text"/>	J3	3 - Wire
	<input type="text"/>	J4	4 - Wire (Simplex Only)
	<input type="text"/>	O	Consult Factory

Temp. Range	<input type="text"/>	T1	-20 to 250°C
	<input type="text"/>	T2	-150 to 400°C
	<input type="text"/>	O	Consult Factory

Sheath Material (Flexible)	<input type="text"/>	316	MI SS 316
	<input type="text"/>	O	Consult Factory

Sheath "OD"	<input type="text"/>	3	3mm (Simplex Only)
	<input type="text"/>	5	5mm (Simplex / Duplex)
	<input type="text"/>	6	6mm (Simplex / Duplex)
	<input type="text"/>	8	8mm (Simplex / Duplex)

Type of Cable	<input type="text"/>	A	PTFE / PTFE
	<input type="text"/>	B	PTFE / FG / SSB

Lenght of Cable	<input type="text"/>	<input type="text" value="Specify"/>
-----------------	----------------------	--------------------------------------

Termination	<input type="text"/>	<input type="text" value="Refer Termination Styles Sheet"/>
-------------	----------------------	---

Sheath Length "L"	<input type="text"/>	<input type="text" value="Specify"/>
-------------------	----------------------	--------------------------------------

## Process Precision Instruments

📍 101, Diamond Industrial Estate, Navghar, Vasai Road (E), Dist. Palghar - 401210, Maharashtra, India

☎ Sales : 8208199048 / 8208141446 Support : 07498799226 / 08767395333

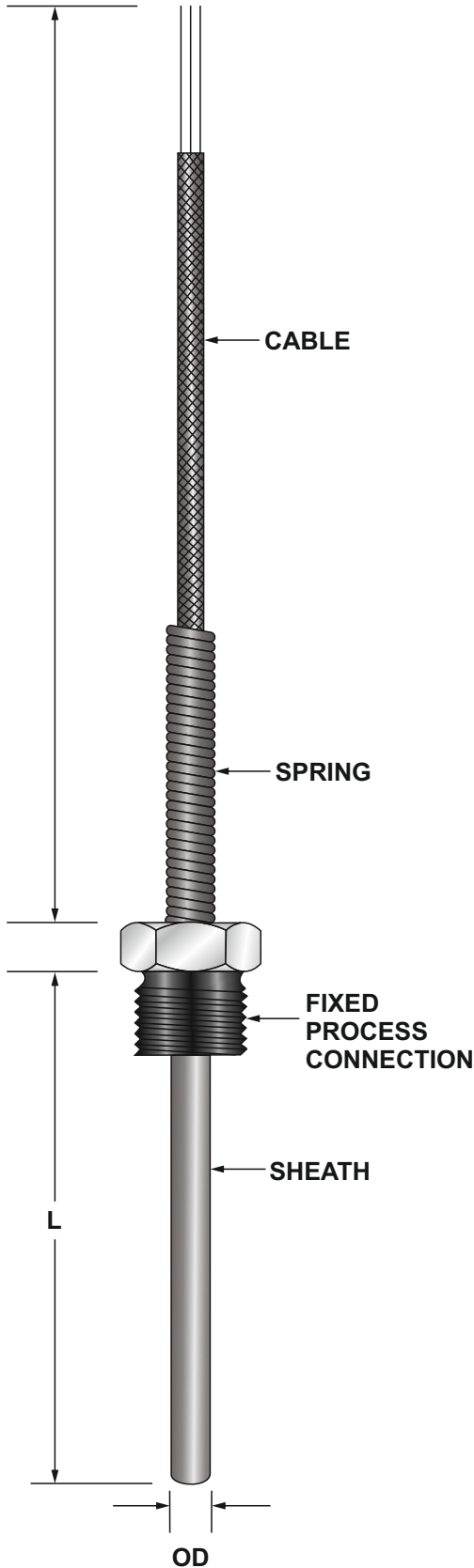
✉ sales@ppiindia.net 🖱 www.ppiindia.net



# TRANSITION JOINT RTD WITH FIXED PROCESS CONNECTION

(MINERAL INSULATED)

**TJR - 06**



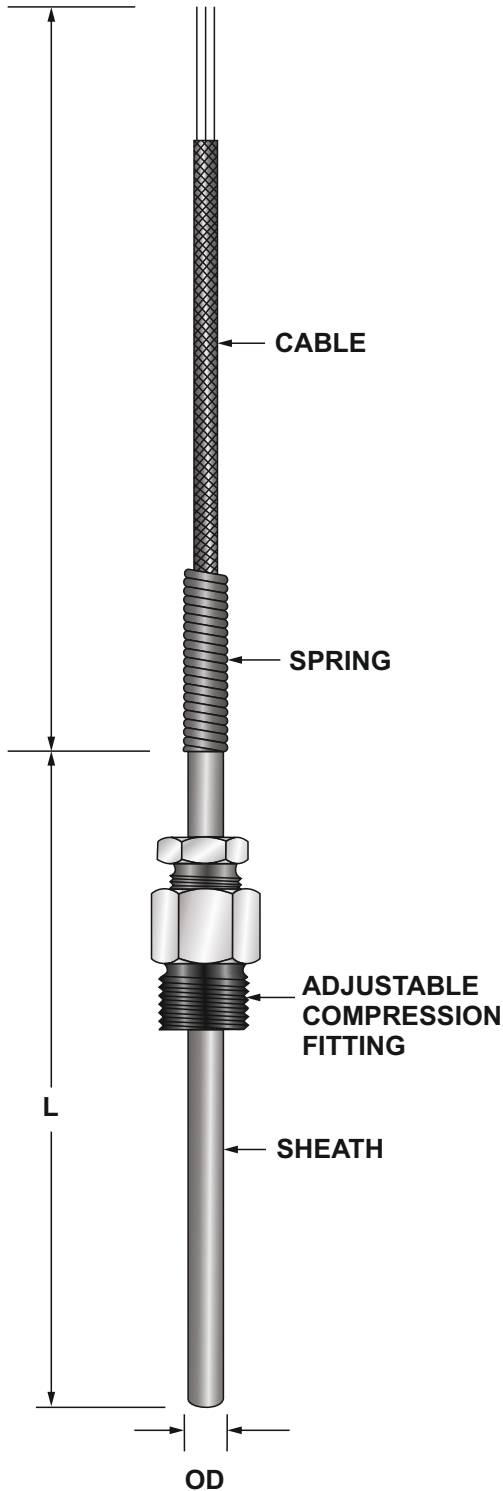
Element	<input type="text"/>	<table border="1"> <tr><td>A</td><td>Pt- 100 x 1, Simplex</td></tr> <tr><td>B</td><td>Pt- 100 x 2, Duplex</td></tr> <tr><td>O</td><td>Consult Factory</td></tr> </table>	A	Pt- 100 x 1, Simplex	B	Pt- 100 x 2, Duplex	O	Consult Factory																	
A	Pt- 100 x 1, Simplex																								
B	Pt- 100 x 2, Duplex																								
O	Consult Factory																								
Configuration	<input type="text"/>	<table border="1"> <tr><td>J2</td><td>2 - Wire</td></tr> <tr><td>J3</td><td>3 - Wire</td></tr> <tr><td>J4</td><td>4 - Wire (Simplex Only)</td></tr> <tr><td>O</td><td>Consult Factory</td></tr> </table>	J2	2 - Wire	J3	3 - Wire	J4	4 - Wire (Simplex Only)	O	Consult Factory															
J2	2 - Wire																								
J3	3 - Wire																								
J4	4 - Wire (Simplex Only)																								
O	Consult Factory																								
Temp. Range	<input type="text"/>	<table border="1"> <tr><td>T1</td><td>-20 to 250°C</td></tr> <tr><td>T2</td><td>-150 to 400°C</td></tr> <tr><td>O</td><td>Consult Factory</td></tr> </table>	T1	-20 to 250°C	T2	-150 to 400°C	O	Consult Factory																	
T1	-20 to 250°C																								
T2	-150 to 400°C																								
O	Consult Factory																								
Sheath Material (Flexible)	<input type="text"/>	<table border="1"> <tr><td>316</td><td>MI SS 316</td></tr> <tr><td>O</td><td>Consult Factory</td></tr> </table>	316	MI SS 316	O	Consult Factory																			
316	MI SS 316																								
O	Consult Factory																								
Sheath "OD"	<input type="text"/>	<table border="1"> <tr><td>3</td><td>3mm (Simplex Only)</td></tr> <tr><td>5</td><td>5mm (Simplex / Duplex)</td></tr> <tr><td>6</td><td>6mm (Simplex / Duplex)</td></tr> <tr><td>8</td><td>8mm (Simplex / Duplex)</td></tr> </table>	3	3mm (Simplex Only)	5	5mm (Simplex / Duplex)	6	6mm (Simplex / Duplex)	8	8mm (Simplex / Duplex)															
3	3mm (Simplex Only)																								
5	5mm (Simplex / Duplex)																								
6	6mm (Simplex / Duplex)																								
8	8mm (Simplex / Duplex)																								
Fixed Process Connection	<input type="text"/>	<table border="1"> <tr> <td rowspan="2">Threads BSP / NPT</td> <td>1/4"</td> <td>3/8"</td> <td>1/2"</td> <td>3/4"</td> </tr> <tr> <td>1"</td> <td>1 1/4"</td> <td>1 1/2"</td> <td>2"</td> </tr> <tr> <td rowspan="2">M -Threads</td> <td colspan="2">M18 X 1.5</td> <td colspan="2">M20 X 1.5</td> </tr> <tr> <td colspan="2">M27 X 2</td> <td colspan="2">M33 X 2</td> </tr> <tr> <td>O</td> <td colspan="4">Consult Factory</td> </tr> </table>	Threads BSP / NPT	1/4"	3/8"	1/2"	3/4"	1"	1 1/4"	1 1/2"	2"	M -Threads	M18 X 1.5		M20 X 1.5		M27 X 2		M33 X 2		O	Consult Factory			
Threads BSP / NPT	1/4"	3/8"		1/2"	3/4"																				
	1"	1 1/4"	1 1/2"	2"																					
M -Threads	M18 X 1.5		M20 X 1.5																						
	M27 X 2		M33 X 2																						
O	Consult Factory																								
Type of Cable	<input type="text"/>	<table border="1"> <tr><td>A</td><td>PTFE / PTFE</td></tr> <tr><td>B</td><td>PTFE / FG / SSB</td></tr> </table>	A	PTFE / PTFE	B	PTFE / FG / SSB																			
A	PTFE / PTFE																								
B	PTFE / FG / SSB																								
Length of Cable	<input type="text"/>	<input type="text" value="Specify"/>																							
Termination	<input type="text"/>	<input type="text" value="Refer Termination Styles Sheet"/>																							
Sheath Length "L"	<input type="text"/>	<input type="text" value="Specify"/>																							

## Process Precision Instruments



# TRANSITION JOINT RTD WITH ADJUSTABLE COMPRESSION FITTING (MINERAL INSULATED)

**TJR - 07**



Element		A	Pt- 100 x 1, Simplex			
		B	Pt- 100 x 2, Duplex			
		O	Consult Factory			
Configuration		J2	2 - Wire			
		J3	3 - Wire			
		J4	4 - Wire (Simplex Only)			
		O	Consult Factory			
Temp. Range		T1	-20 to 250°C			
		T2	-150 to 400°C			
		O	Consult Factory			
Sheath Material (Flexible)		316	MI SS 316			
		O	Consult Factory			
Sheath "OD"		3	3mm (Simplex Only)			
		5	5mm (Simplex / Duplex)			
		6	6mm (Simplex / Duplex)			
		8	8mm (Simplex / Duplex)			
Adjustable Compression Fitting		Threads BSP / NPT	1/4"	3/8"	1/2"	3/4"
			1"	1 1/4"	1 1/2"	2"
		M -Threads	M18 X 1.5		M20 X 1.5	
			M27 X 2		M33 X 2	
		O	Consult Factory			
Type of Cable		A	PTFE / PTFE			
		B	PTFE / FG / SSB			
Length of Cable			Specify			
Termination			Refer Termination Styles Sheet			
Sheath Length "L"			Specify			

## Process Precision Instruments

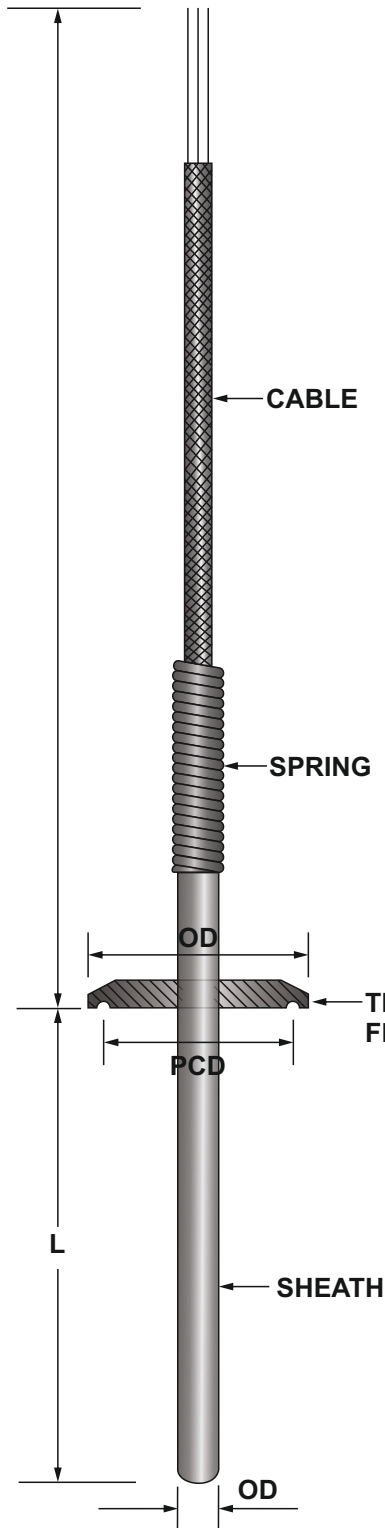
101, Diamond Industrial Estate, Navghar, Vasai Road (E), Dist. Palghar - 401210, Maharashtra, India

Sales : 8208199048 / 8208141446 Support : 07498799226 / 08767395333

sales@ppiindia.net www.ppiindia.net

# TRANSITION JOINT RTD WITH TRICLOVER FLANGE

**TJR - 08**



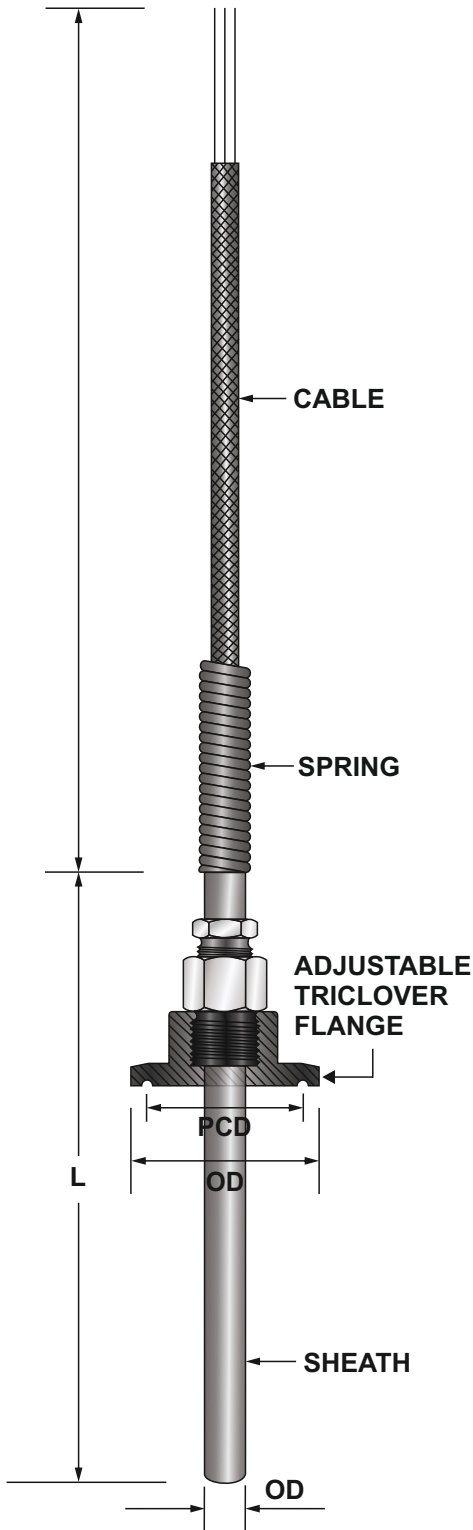
Element	<input type="text"/>	<table border="1"> <tr><td>A</td><td>Pt- 100 x 1, Simplex</td></tr> <tr><td>B</td><td>Pt- 100 x 2, Duplex</td></tr> <tr><td>O</td><td>Consult Factory</td></tr> </table>	A	Pt- 100 x 1, Simplex	B	Pt- 100 x 2, Duplex	O	Consult Factory		
A	Pt- 100 x 1, Simplex									
B	Pt- 100 x 2, Duplex									
O	Consult Factory									
Configuration	<input type="text"/>	<table border="1"> <tr><td>J2</td><td>2 - Wire</td></tr> <tr><td>J3</td><td>3 - Wire</td></tr> <tr><td>J4</td><td>4 - Wire (Simplex Only)</td></tr> <tr><td>O</td><td>Consult Factory</td></tr> </table>	J2	2 - Wire	J3	3 - Wire	J4	4 - Wire (Simplex Only)	O	Consult Factory
J2	2 - Wire									
J3	3 - Wire									
J4	4 - Wire (Simplex Only)									
O	Consult Factory									
Temp. Range	<input type="text"/>	<table border="1"> <tr><td>T1</td><td>-20 to 250°C</td></tr> <tr><td>T2</td><td>-150 to 400°C</td></tr> <tr><td>O</td><td>Consult Factory</td></tr> </table>	T1	-20 to 250°C	T2	-150 to 400°C	O	Consult Factory		
T1	-20 to 250°C									
T2	-150 to 400°C									
O	Consult Factory									
Sheath Material	<input type="text"/>	<table border="1"> <tr><td>316</td><td>SS 316</td></tr> <tr><td>O</td><td>Consult Factory</td></tr> </table>	316	SS 316	O	Consult Factory				
316	SS 316									
O	Consult Factory									
Sheath "OD"	<input type="text"/>	<table border="1"> <tr><td>6</td><td>6mm</td></tr> <tr><td>8</td><td>8mm</td></tr> <tr><td>O</td><td>Consult Factory</td></tr> </table>	6	6mm	8	8mm	O	Consult Factory		
6	6mm									
8	8mm									
O	Consult Factory									
Triclover Flange	<input type="text"/>	<table border="1"> <tr><td>OD (Specify)</td></tr> <tr><td>PCD (Specify)</td></tr> </table>	OD (Specify)	PCD (Specify)						
OD (Specify)										
PCD (Specify)										
Type of Cable	<input type="text"/>	<table border="1"> <tr><td>A</td><td>PTFE / PTFE</td></tr> <tr><td>B</td><td>PTFE / FG / SSB</td></tr> </table>	A	PTFE / PTFE	B	PTFE / FG / SSB				
A	PTFE / PTFE									
B	PTFE / FG / SSB									
Length of Cable	<input type="text"/>	<input type="text" value="Specify"/>								
Termination	<input type="text"/>	<input type="text" value="Refer Termination Styles Sheet"/>								
Sheath Length "L"	<input type="text"/>	<input type="text" value="Specify"/>								

## Process Precision Instruments



# TRANSITION JOINT RTD WITH ADJUSTABLE TRICLOVER FLANGE

**TJR - 09**



Element	<input type="text"/>	<table border="1"> <tr><td>A</td><td>Pt- 100 x 1, Simplex</td></tr> <tr><td>B</td><td>Pt- 100 x 2, Duplex</td></tr> <tr><td>O</td><td>Consult Factory</td></tr> </table>	A	Pt- 100 x 1, Simplex	B	Pt- 100 x 2, Duplex	O	Consult Factory		
A	Pt- 100 x 1, Simplex									
B	Pt- 100 x 2, Duplex									
O	Consult Factory									
Configuration	<input type="text"/>	<table border="1"> <tr><td>J2</td><td>2 - Wire</td></tr> <tr><td>J3</td><td>3 - Wire</td></tr> <tr><td>J4</td><td>4 - Wire (Simplex Only)</td></tr> <tr><td>O</td><td>Consult Factory</td></tr> </table>	J2	2 - Wire	J3	3 - Wire	J4	4 - Wire (Simplex Only)	O	Consult Factory
J2	2 - Wire									
J3	3 - Wire									
J4	4 - Wire (Simplex Only)									
O	Consult Factory									
Temp. Range	<input type="text"/>	<table border="1"> <tr><td>T1</td><td>-20 to 250°C</td></tr> <tr><td>T2</td><td>-150 to 400°C</td></tr> <tr><td>O</td><td>Consult Factory</td></tr> </table>	T1	-20 to 250°C	T2	-150 to 400°C	O	Consult Factory		
T1	-20 to 250°C									
T2	-150 to 400°C									
O	Consult Factory									
Sheath Material	<input type="text"/>	<table border="1"> <tr><td>316</td><td>SS 316</td></tr> <tr><td>O</td><td>Consult Factory</td></tr> </table>	316	SS 316	O	Consult Factory				
316	SS 316									
O	Consult Factory									
Sheath "OD"	<input type="text"/>	<table border="1"> <tr><td>6</td><td>6mm</td></tr> <tr><td>8</td><td>8mm</td></tr> <tr><td>O</td><td>Consult Factory</td></tr> </table>	6	6mm	8	8mm	O	Consult Factory		
6	6mm									
8	8mm									
O	Consult Factory									
Adjustable Compression Fitting	<input type="text"/>	<table border="1"> <tr><td>OD (Specify)</td></tr> <tr><td>PCD (Specify)</td></tr> </table>	OD (Specify)	PCD (Specify)						
OD (Specify)										
PCD (Specify)										
Type of Cable	<input type="text"/>	<table border="1"> <tr><td>A</td><td>PTFE / PTFE</td></tr> <tr><td>B</td><td>PTFE / FG / SSB</td></tr> </table>	A	PTFE / PTFE	B	PTFE / FG / SSB				
A	PTFE / PTFE									
B	PTFE / FG / SSB									
Lenght of Cable	<input type="text"/>	<input type="text" value="Specify"/>								
Termination	<input type="text"/>	<input type="text" value="Refer Termination Styles Sheet"/>								
Sheath Length "L"	<input type="text"/>	<input type="text" value="Specify"/>								

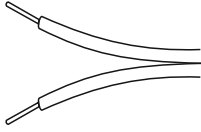
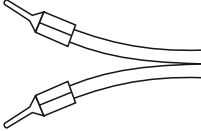
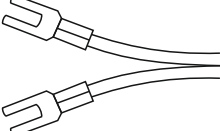
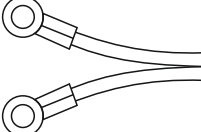
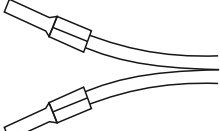
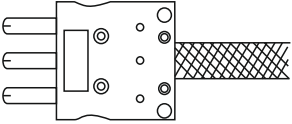
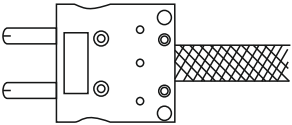
## Process Precision Instruments

📍 101, Diamond Industrial Estate, Navghar, Vasai Road (E), Dist. Palghar - 401210, Maharashtra, India

☎ Sales : 8208199048 / 8208141446 Support : 07498799226 / 08767395333

✉ sales@ppiindia.net 🖱 www.ppiindia.net



<p>BARE LEADS CODE BR</p>	
<p>PIN TYPE CODE PN</p>	
<p>FORK TYPE LUGS CODE FR</p>	
<p>RING TYPE LUGS CODE RG</p>	
<p>FLAT LUGS CODE FL</p>	
<p>MINIATURE PLUG CODE MP</p>	
<p>MINIATURE PLUG CODE MP</p>	
<p>MINIATURE SOCKET CODE MS</p>	