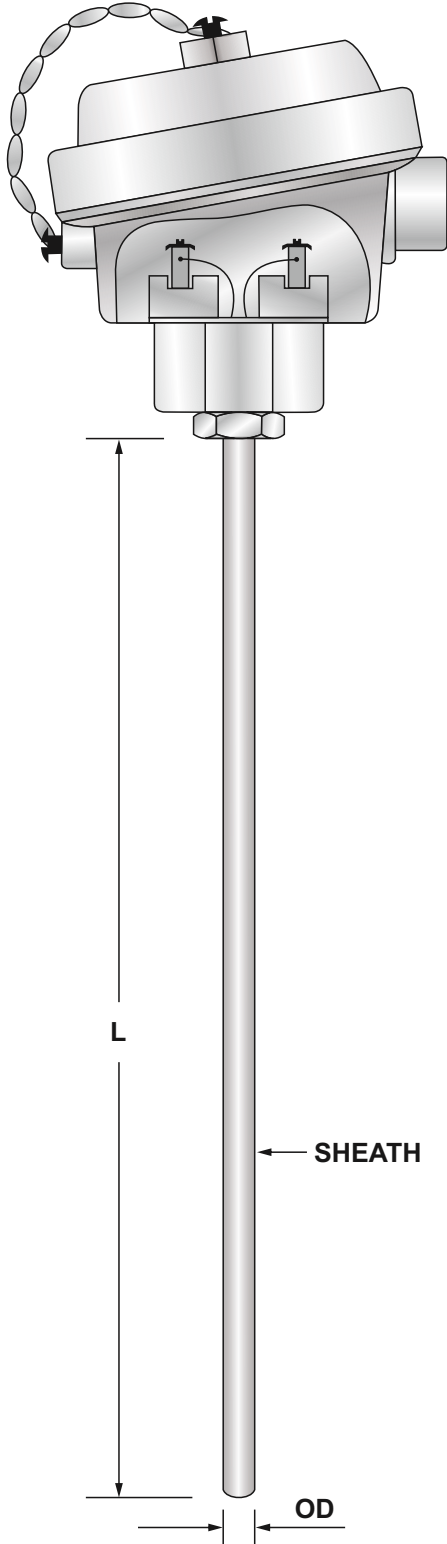




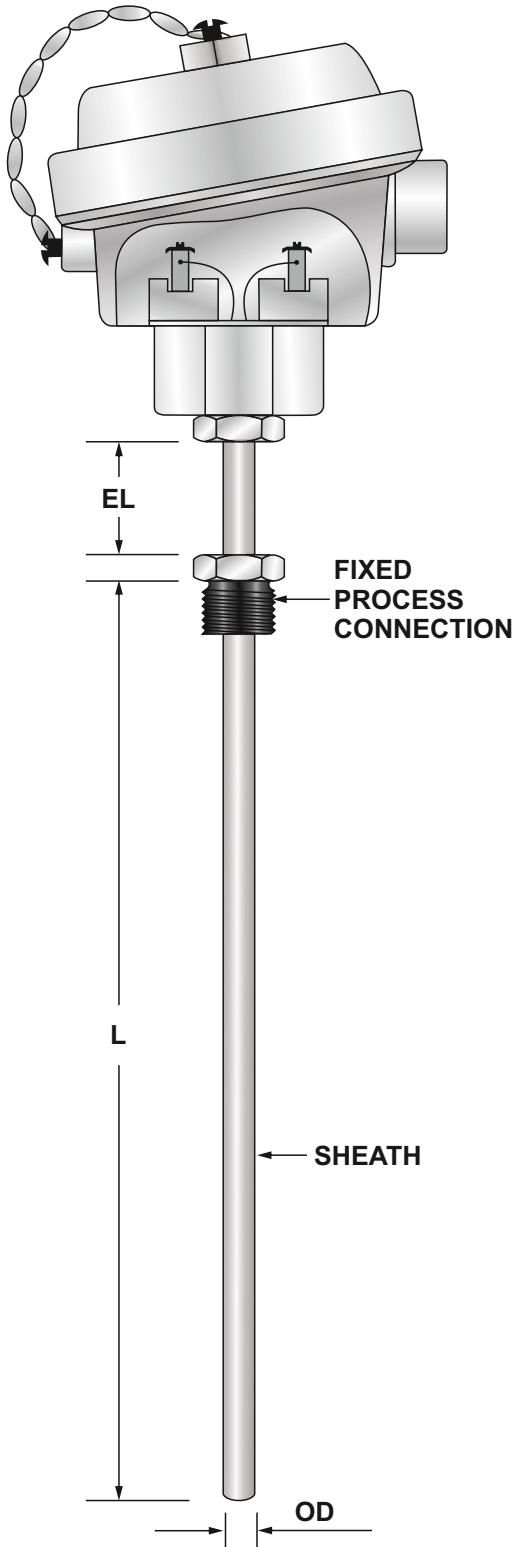
PHR - 01



Element	<input type="text"/>	A	Pt- 100 x 1, Simplex
		B	Pt- 100 x 2, Duplex
		O	Consult Factory
Configuration	<input type="text"/>	J2	2 - Wire
		J3	3 - Wire
		J4	4 - Wire (Simplex Only)
		O	Consult Factory
Termination	<input type="text"/>	W	Weather Proof Head IP-67
		F	Ex. Proof Head IIA / IIB IP-66
		O	Consult Factory
Temp. Range	<input type="text"/>	T1	-20 to 250°C
		T2	-150 to 400°C
		O	Consult Factory
Sheath Material	<input type="text"/>	316	SS 316
		O	Consult Factory
Sheath "OD"	<input type="text"/>	3	3mm (Simplex Only)
		4	4mm
		6	6mm
		8	8mm
		O	Consult Factory
Insertion Length "L"	<input type="text"/>	Specify	

RTD HEAD TYPE WITH FIXED PROCESS CONNECTION

PHR - 02



Element	<input type="text"/>	A	Pt- 100 x 1, Simplex			
		B	Pt- 100 x 2, Duplex			
		O	Consult Factory			
Configuration	<input type="text"/>	J2	2 - Wire			
		J3	3 - Wire			
		J4	4 - Wire (Simplex Only)			
		O	Consult Factory			
Termination	<input type="text"/>	W	Weather Proof Head IP-67			
		F	Ex. Proof Head IIA / IIB IP-66			
		O	Consult Factory			
Temp. Range	<input type="text"/>	T1	-20 to 250°C			
		T2	-150 to 400°C			
		O	Consult Factory			
Sheath Material	<input type="text"/>	316	SS 316			
		O	Consult Factory			
Sheath "OD"	<input type="text"/>	3	3mm (Simplex Only)			
		4	4mm			
		6	6mm			
		8	8mm			
		O	Consult Factory			
Fixed Process Connection	<input type="text"/>	Threads BSP / NPT	1/4"	3/8"	1/2"	3/4"
			1"	1 1/4"	1 1/2"	2"
		M -Threads	M18 X 1.5	M20 X 1.5		
			M27 X 2	M33 X 2		
O	Consult Factory					
Extension Length "EL"	<input type="text"/>	Specify				
Insertion Length "L"	<input type="text"/>	Specify				

Process Precision Instruments

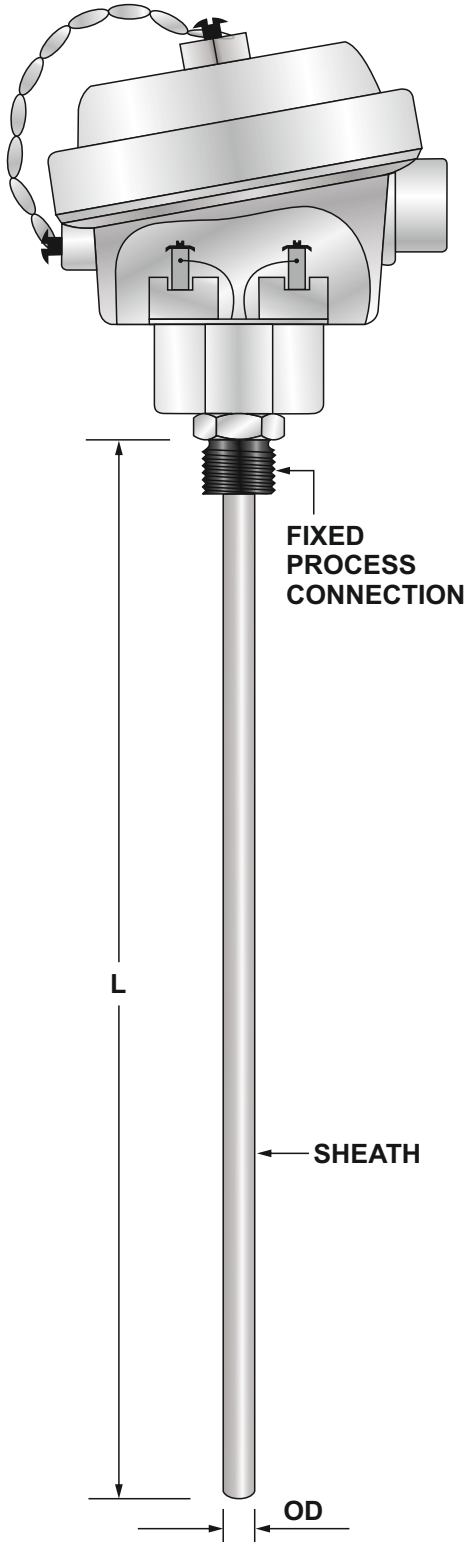
101, Diamond Industrial Estate, Navghar, Vasai Road (E), Dist. Palghar - 401210, Maharashtra, India

Sales : 8208199048 / 8208141446 Support : 07498799226 / 08767395333

sales@ppiindia.net www.ppiindia.net

RTD HEAD TYPE WITH FIXED PROCESS CONNECTION

PHR - 03



Element	<input type="text"/>	A	Pt- 100 x 1, Simplex			
		B	Pt- 100 x 2, Duplex			
		O	Consult Factory			
Configuration	<input type="text"/>	J2	2 - Wire			
		J3	3 - Wire			
		J4	4 - Wire (Simplex Only)			
		O	Consult Factory			
Termination	<input type="text"/>	W	Weather Proof Head IP-67			
		F	Ex. Proof Head IIA / IIB IP-66			
		O	Consult Factory			
Temp. Range	<input type="text"/>	T1	-20 to 250°C			
		T2	-150 to 400°C			
		O	Consult Factory			
Sheath Material	<input type="text"/>	316	SS 316			
		O	Consult Factory			
Sheath "OD"	<input type="text"/>	3	3mm (Simplex Only)			
		4	4mm			
		6	6mm			
		8	8mm			
		O	Consult Factory			
Fixed Process Connection	<input type="text"/>	Threads BSP / NPT	1/4"	3/8"	1/2"	3/4"
			1"	1 1/4"	1 1/2"	2"
		M -Threads	M18 X 1.5	M20 X 1.5		
			M27 X 2	M33 X 2		
O	Consult Factory					
Insertion Length "L"	<input type="text"/>	Specify				

Process Precision Instruments

101, Diamond Industrial Estate, Navghar, Vasai Road (E), Dist. Palghar - 401210, Maharashtra, India

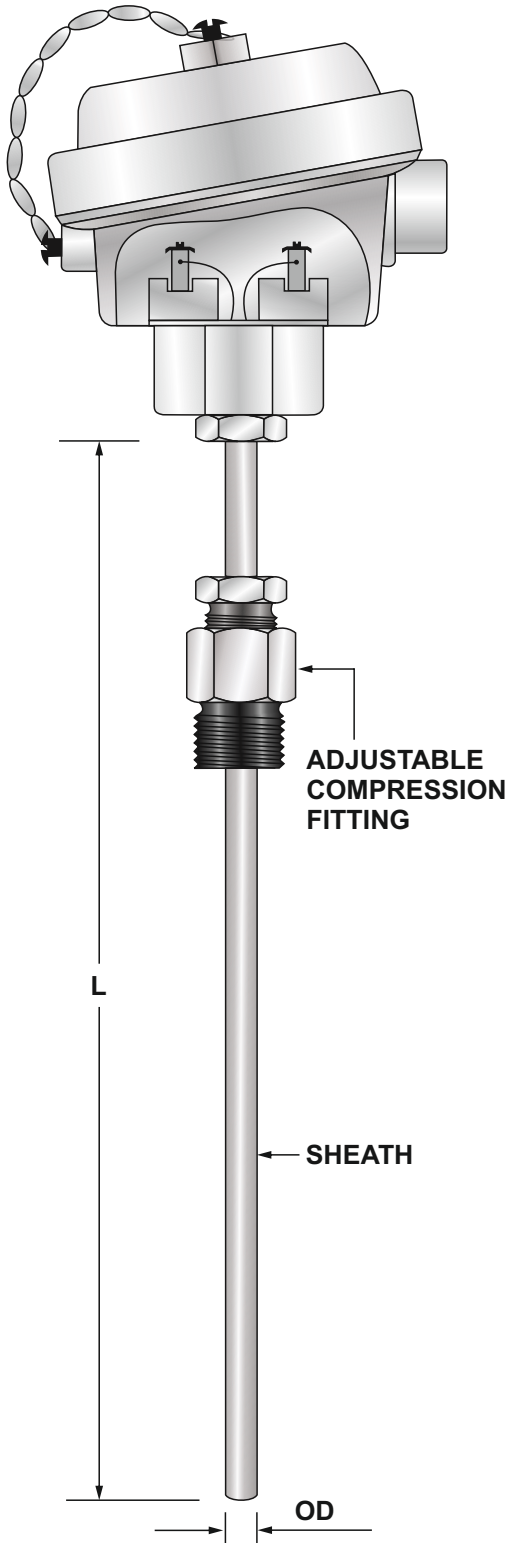
Sales : 8208199048 / 8208141446 Support : 07498799226 / 08767395333

sales@ppiindia.net www.ppiindia.net



RTD HEAD TYPE WITH ADJUSTABLE COMPRESSION FITTING

PHR - 04



Element		A	Pt- 100 x 1, Simplex
		B	Pt- 100 x 2, Duplex
		O	Consult Factory
Configuration		J2	2 - Wire
		J3	3 - Wire
		J4	4 - Wire (Simplex Only)
		O	Consult Factory
Termination		W	Weather Proof Head IP-67
		F	Ex. Proof Head IIA / IIB IP-66
		O	Consult Factory
Temp. Range		T1	-20 to 250°C
		T2	-150 to 400°C
		O	Consult Factory
Sheath Material		316	SS 316
		O	Consult Factory
Sheath "OD"		3	3mm (Simplex Only)
		4	4mm
		6	6mm
		8	8mm
		O	Consult Factory
Adjustable Compression Fitting		Threads BSP / NPT	1/4" 3/8" 1/2" 3/4" 1" 1 1/4" 1 1/2" 2"
		M -Threads	M18 X 1.5 M20 X 1.5 M27 X 2 M33 X 2
		O	Consult Factory
Sheath Length "L"			Specify

Process Precision Instruments

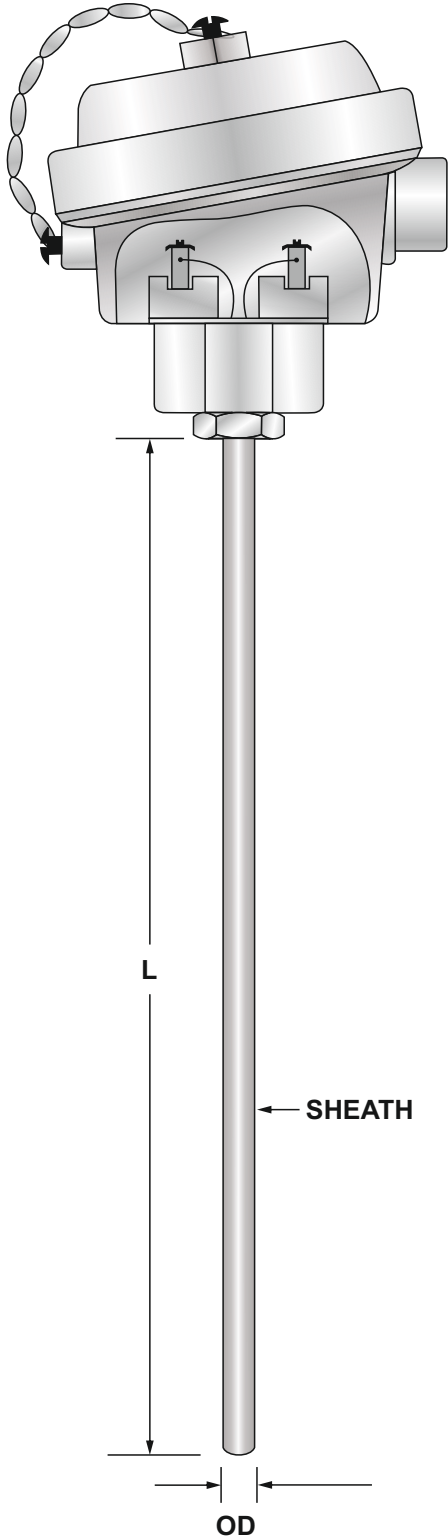
101, Diamond Industrial Estate, Navghar, Vasai Road (E), Dist. Palghar - 401210, Maharashtra, India

Sales : 8208199048 / 8208141446 Support : 07498799226 / 08767395333

sales@ppiindia.net www.ppiindia.net

RTD HEAD TYPE (MINERAL INSULATED)

PHR - 05



Element	A	Pt- 100 x 1, Simplex
	B	Pt- 100 x 2, Duplex
	O	Consult Factory
Configuration	J2	2 - Wire
	J3	3 - Wire
	J4	4 - Wire (Simplex Only)
	O	Consult Factory
Termination	W	Weather Proof Head IP-67
	F	Ex. Proof Head IIA / IIB IP-66
	O	Consult Factory
Temp. Range	T1	-20 to 250°C
	T2	-150 to 400°C
	O	Consult Factory
Sheath Material (Flexible)	316	MI SS 316
	O	Consult Factory
Sheath "OD"	3	3mm (Simplex Only)
	5	5mm (Simplex / Duplex)
	6	6mm (Simplex / Duplex)
	8	8mm (Simplex / Duplex)
Insertion Length "L"	Specify	

Process Precision Instruments

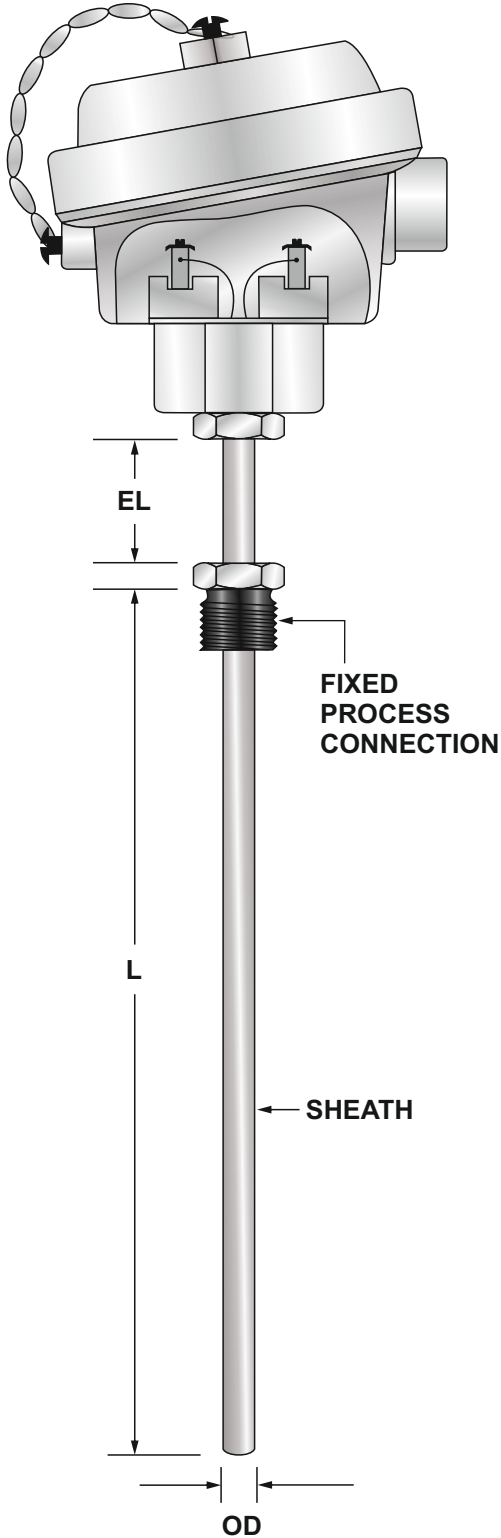
101, Diamond Industrial Estate, Navghar, Vasai Road (E), Dist. Palghar - 401210, Maharashtra, India

Sales : 8208199048 / 8208141446 Support : 07498799226 / 08767395333

sales@ppiindia.net www.ppiindia.net

RTD HEAD TYPE WITH FIXED PROCESS CONNECTION (MINERAL INSULATED)

PHR - 06



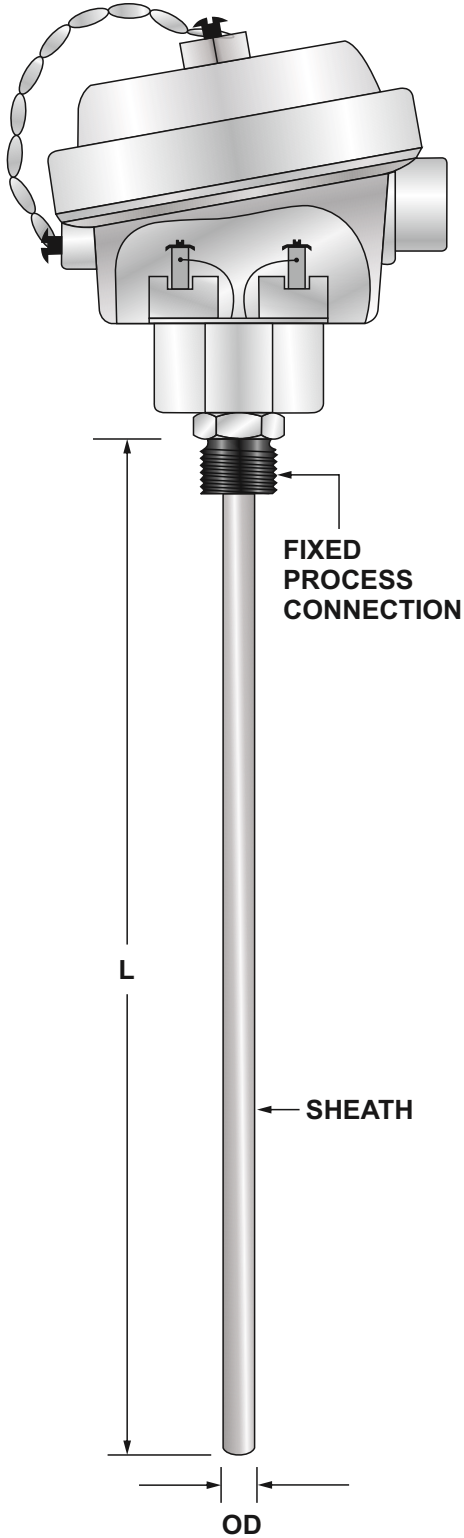
Element		<table border="1" style="width: 100%; border-collapse: collapse;"> <tr><td>A</td><td>Pt- 100 x 1, Simplex</td></tr> <tr><td>B</td><td>Pt- 100 x 2, Duplex</td></tr> <tr><td>O</td><td>Consult Factory</td></tr> </table>	A	Pt- 100 x 1, Simplex	B	Pt- 100 x 2, Duplex	O	Consult Factory																	
A	Pt- 100 x 1, Simplex																								
B	Pt- 100 x 2, Duplex																								
O	Consult Factory																								
Configuration		<table border="1" style="width: 100%; border-collapse: collapse;"> <tr><td>J2</td><td>2 - Wire</td></tr> <tr><td>J3</td><td>3 - Wire</td></tr> <tr><td>J4</td><td>4 - Wire (Simplex Only)</td></tr> <tr><td>O</td><td>Consult Factory</td></tr> </table>	J2	2 - Wire	J3	3 - Wire	J4	4 - Wire (Simplex Only)	O	Consult Factory															
J2	2 - Wire																								
J3	3 - Wire																								
J4	4 - Wire (Simplex Only)																								
O	Consult Factory																								
Termination		<table border="1" style="width: 100%; border-collapse: collapse;"> <tr><td>W</td><td>Weather Proof Head IP-67</td></tr> <tr><td>F</td><td>Ex. Proof Head IIA / IIB IP-66</td></tr> <tr><td>O</td><td>Consult Factory</td></tr> </table>	W	Weather Proof Head IP-67	F	Ex. Proof Head IIA / IIB IP-66	O	Consult Factory																	
W	Weather Proof Head IP-67																								
F	Ex. Proof Head IIA / IIB IP-66																								
O	Consult Factory																								
Temp. Range		<table border="1" style="width: 100%; border-collapse: collapse;"> <tr><td>T1</td><td>-20 to 250°C</td></tr> <tr><td>T2</td><td>-150 to 400°C</td></tr> <tr><td>O</td><td>Consult Factory</td></tr> </table>	T1	-20 to 250°C	T2	-150 to 400°C	O	Consult Factory																	
T1	-20 to 250°C																								
T2	-150 to 400°C																								
O	Consult Factory																								
Sheath Material (Flexible)		<table border="1" style="width: 100%; border-collapse: collapse;"> <tr><td>316</td><td>MI SS 316</td></tr> <tr><td>O</td><td>Consult Factory</td></tr> </table>	316	MI SS 316	O	Consult Factory																			
316	MI SS 316																								
O	Consult Factory																								
Sheath "OD"		<table border="1" style="width: 100%; border-collapse: collapse;"> <tr><td>3</td><td>3mm (Simplex Only)</td></tr> <tr><td>5</td><td>5mm (Simplex / Duplex)</td></tr> <tr><td>6</td><td>6mm (Simplex / Duplex)</td></tr> <tr><td>8</td><td>8mm (Simplex / Duplex)</td></tr> </table>	3	3mm (Simplex Only)	5	5mm (Simplex / Duplex)	6	6mm (Simplex / Duplex)	8	8mm (Simplex / Duplex)															
3	3mm (Simplex Only)																								
5	5mm (Simplex / Duplex)																								
6	6mm (Simplex / Duplex)																								
8	8mm (Simplex / Duplex)																								
Fixed Process Connection		<table border="1" style="width: 100%; border-collapse: collapse;"> <tr> <td rowspan="2">Threads BSP / NPT</td> <td>1/4"</td> <td>3/8"</td> <td>1/2"</td> <td>3/4"</td> </tr> <tr> <td>1"</td> <td>1 1/4"</td> <td>1 1/2"</td> <td>2"</td> </tr> <tr> <td rowspan="2">M -Threads</td> <td colspan="2">M18 X 1.5</td> <td colspan="2">M20 X 1.5</td> </tr> <tr> <td colspan="2">M27 X 2</td> <td colspan="2">M33 X 2</td> </tr> <tr> <td>O</td> <td colspan="4">Consult Factory</td> </tr> </table>	Threads BSP / NPT	1/4"	3/8"	1/2"	3/4"	1"	1 1/4"	1 1/2"	2"	M -Threads	M18 X 1.5		M20 X 1.5		M27 X 2		M33 X 2		O	Consult Factory			
Threads BSP / NPT	1/4"	3/8"		1/2"	3/4"																				
	1"	1 1/4"	1 1/2"	2"																					
M -Threads	M18 X 1.5		M20 X 1.5																						
	M27 X 2		M33 X 2																						
O	Consult Factory																								
Extension Length "EL"		Specify																							
Insertion Length "L"		Specify																							

Process Precision Instruments



RTD HEAD TYPE WITH FIXED PROCESS CONNECTION (MINERAL INSULATED)

PHR - 07



Element	A	Pt- 100 x 1, Simplex
	B	Pt- 100 x 2, Duplex
	O	Consult Factory
Configuration	J2	2 - Wire
	J3	3 - Wire
	J4	4 - Wire (Simplex Only)
	O	Consult Factory
Termination	W	Weather Proof Head IP-67
	F	Ex. Proof Head IIA / IIB IP-66
	O	Consult Factory
Temp. Range	T1	-20 to 250°C
	T2	-150 to 400°C
	O	Consult Factory
Sheath Material (Flexible)	316	MI SS 316
	O	Consult Factory
Sheath "OD"	3	3mm (Simplex Only)
	5	5mm (Simplex / Duplex)
	6	6mm (Simplex / Duplex)
	8	8mm (Simplex / Duplex)
Fixed Process Connection	Threads BSP / NPT	1/4" 3/8" 1/2" 3/4" 1" 1 1/4" 1 1/2" 2"
	M -Threads	M18 X 1.5 M20 X 1.5 M27 X 2 M33 X 2
	O	Consult Factory
Sheath Length "L"		Specify

Process Precision Instruments

101, Diamond Industrial Estate, Navghar, Vasai Road (E), Dist. Palghar - 401210, Maharashtra, India

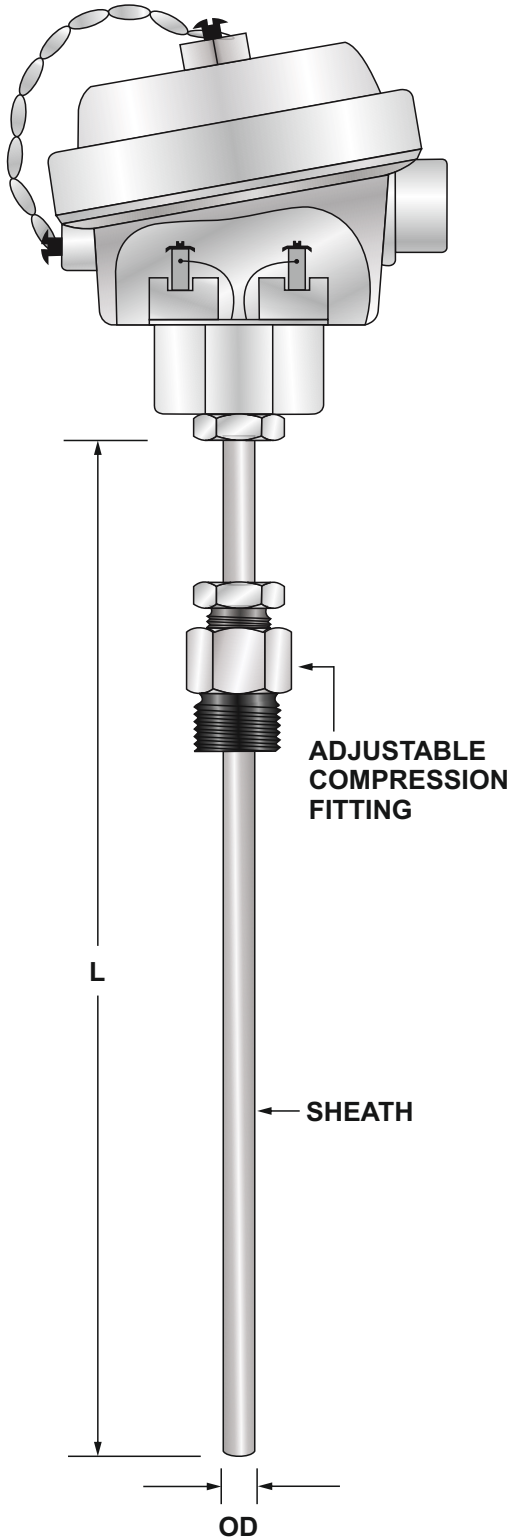
Sales : 8208199048 / 8208141446 Support : 07498799226 / 08767395333

sales@ppiindia.net www.ppiindia.net



RTD HEAD TYPE WITH ADJUSTABLE COMPRESSION FITTING (MINERAL INSULATED)

PHR - 08



Element	A	Pt- 100 x 1, Simplex
	B	Pt- 100 x 2, Duplex
	O	Consult Factory
Configuration	J2	2 - Wire
	J3	3 - Wire
	J4	4 - Wire (Simplex Only)
	O	Consult Factory
Termination	W	Weather Proof Head IP-67
	F	Ex. Proof Head IIA / IIB IP-66
	O	Consult Factory
Temp. Range	T1	-20 to 250°C
	T2	-150 to 400°C
	O	Consult Factory
Sheath Material (Flexible)	316	MI SS 316
	O	Consult Factory
Sheath "OD"	3	3mm (Simplex Only)
	5	5mm (Simplex / Duplex)
	6	6mm (Simplex / Duplex)
	8	8mm (Simplex / Duplex)
Adjustable Compression Fitting	Threads BSP / NPT	1/4" 3/8" 1/2" 3/4" 1" 1 1/4" 1 1/2" 2"
	M -Threads	M18 X 1.5 M20 X 1.5 M27 X 2 M33 X 2
	O	Consult Factory
Sheath Length "L"		Specify

Process Precision Instruments

101, Diamond Industrial Estate, Navghar, Vasai Road (E), Dist. Palghar - 401210, Maharashtra, India

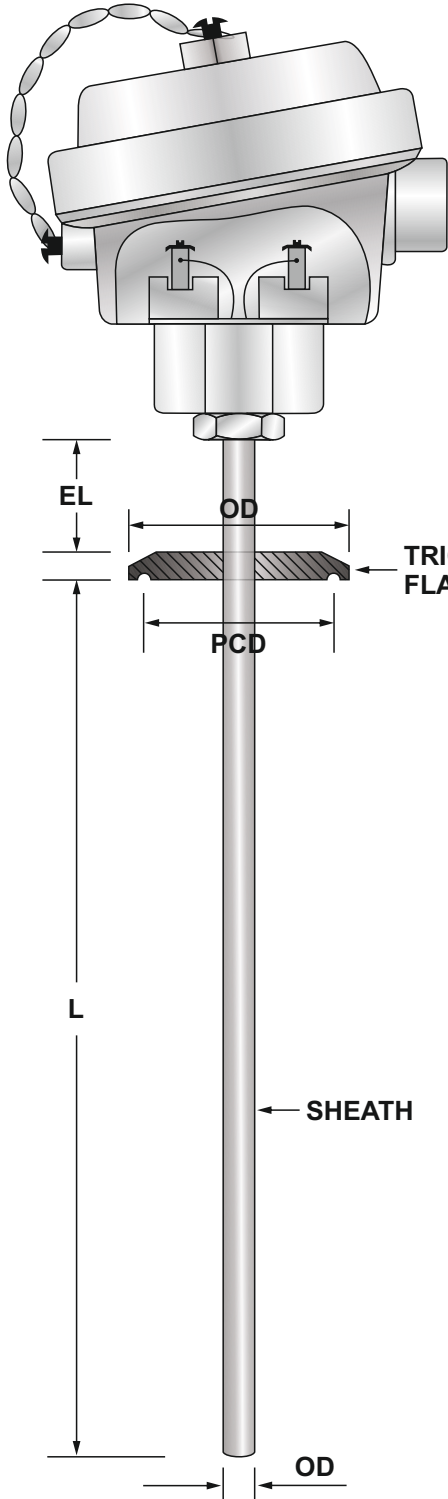
Sales : 8208199048 / 8208141446 Support : 07498799226 / 08767395333

sales@ppiindia.net www.ppiindia.net



RTD HEAD TYPE WITH TRICLOVER FLANGE

PHR - 09



Element	<input type="text"/>	<table border="1"> <tr><td>A</td><td>Pt- 100 x 1, Simplex</td></tr> <tr><td>B</td><td>Pt- 100 x 2, Duplex</td></tr> <tr><td>O</td><td>Consult Factory</td></tr> </table>	A	Pt- 100 x 1, Simplex	B	Pt- 100 x 2, Duplex	O	Consult Factory		
A	Pt- 100 x 1, Simplex									
B	Pt- 100 x 2, Duplex									
O	Consult Factory									
Configuration	<input type="text"/>	<table border="1"> <tr><td>J2</td><td>2 - Wire</td></tr> <tr><td>J3</td><td>3 - Wire</td></tr> <tr><td>J4</td><td>4 - Wire (Simplex Only)</td></tr> <tr><td>O</td><td>Consult Factory</td></tr> </table>	J2	2 - Wire	J3	3 - Wire	J4	4 - Wire (Simplex Only)	O	Consult Factory
J2	2 - Wire									
J3	3 - Wire									
J4	4 - Wire (Simplex Only)									
O	Consult Factory									
Termination	<input type="text"/>	<table border="1"> <tr><td>W</td><td>Weather Proof Head IP-67</td></tr> <tr><td>F</td><td>Ex. Proof Head IIA / IIB IP-66</td></tr> <tr><td>O</td><td>Consult Factory</td></tr> </table>	W	Weather Proof Head IP-67	F	Ex. Proof Head IIA / IIB IP-66	O	Consult Factory		
W	Weather Proof Head IP-67									
F	Ex. Proof Head IIA / IIB IP-66									
O	Consult Factory									
Temp. Range	<input type="text"/>	<table border="1"> <tr><td>T1</td><td>-20 to 250°C</td></tr> <tr><td>T2</td><td>-150 to 400°C</td></tr> <tr><td>O</td><td>Consult Factory</td></tr> </table>	T1	-20 to 250°C	T2	-150 to 400°C	O	Consult Factory		
T1	-20 to 250°C									
T2	-150 to 400°C									
O	Consult Factory									
Sheath Material	<input type="text"/>	<table border="1"> <tr><td>316</td><td>SS 316</td></tr> <tr><td>O</td><td>Consult Factory</td></tr> </table>	316	SS 316	O	Consult Factory				
316	SS 316									
O	Consult Factory									
Sheath "OD"	<input type="text"/>	<table border="1"> <tr><td>6</td><td>6mm</td></tr> <tr><td>8</td><td>8mm</td></tr> <tr><td>O</td><td>Consult Factory</td></tr> </table>	6	6mm	8	8mm	O	Consult Factory		
6	6mm									
8	8mm									
O	Consult Factory									
Triclover Flange	<input type="text"/>	<table border="1"> <tr><td>OD (Specify)</td></tr> <tr><td>PCD (Specify)</td></tr> </table>	OD (Specify)	PCD (Specify)						
OD (Specify)										
PCD (Specify)										
Extension Length "EL"	<input type="text"/>	<input type="text" value="Specify"/>								
Insertion Length "L"	<input type="text"/>	<input type="text" value="Specify"/>								

Process Precision Instruments

📍 101, Diamond Industrial Estate, Navghar, Vasai Road (E), Dist. Palghar - 401210, Maharashtra, India

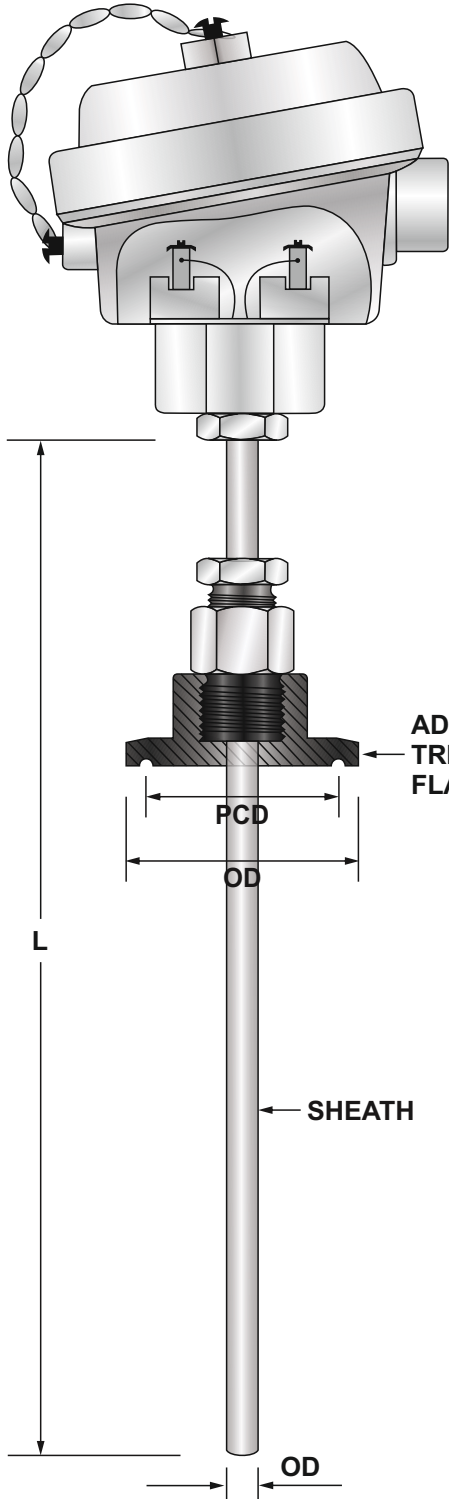
☎ Sales : 8208199048 / 8208141446 Support : 07498799226 / 08767395333

✉ sales@ppiindia.net 🖱 www.ppiindia.net



RTD HEAD TYPE WITH ADJUSTABLE TRICLOVER FLANGE

PHR - 10



Element

A	Pt- 100 x 1, Simplex
B	Pt- 100 x 2, Duplex
O	Consult Factory

Configuration

J2	2 - Wire
J3	3 - Wire
J4	4 - Wire (Simplex Only)
O	Consult Factory

Termination

W	Weather Proof Head IP-67
F	Ex. Proof Head IIA / IIB IP-66
O	Consult Factory

Temp. Range

T1	-20 to 250°C
T2	-150 to 400°C
O	Consult Factory

Sheath Material

316	SS 316
O	Consult Factory

Sheath "OD"

6	6mm
8	8mm
O	Consult Factory

Adjustable
Triclover
Flange

OD (Specify)
PCD (Specify)

Sheath
Length "L"

Specify

Process Precision Instruments

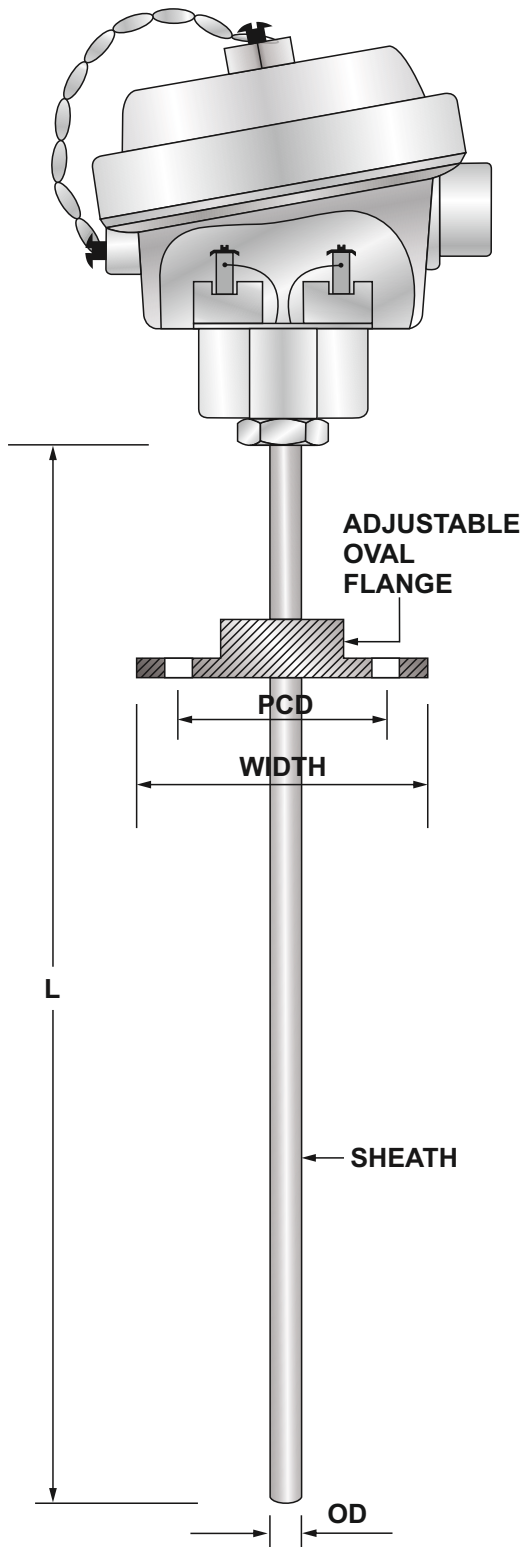
101, Diamond Industrial Estate, Navghar, Vasai Road (E), Dist. Palghar - 401210, Maharashtra, India

Sales : 8208199048 / 8208141446 Support : 07498799226 / 08767395333

sales@ppiindia.net www.ppiindia.net

RTD HEAD TYPE WITH ADJUSTABLE OVAL FLANGE

PHR - 11



Element	<input type="text"/>	A	Pt- 100 x 1, Simplex
		B	Pt- 100 x 2, Duplex
		O	Consult Factory
Configuration	<input type="text"/>	J2	2 - Wire
		J3	3 - Wire
		J4	4 - Wire (Simplex Only)
		O	Consult Factory
Termination	<input type="text"/>	W	Weather Proof Head IP-67
		F	Ex. Proof Head IIA / IIB IP-66
		O	Consult Factory
Temp. Range	<input type="text"/>	T1	-20 to 250°C
		T2	-150 to 400°C
		O	Consult Factory
Sheath Material	<input type="text"/>	316	SS 316
		O	Consult Factory
Sheath "OD"	<input type="text"/>	6	6mm
		8	8mm
		O	Consult Factory
Adjustable Oval Flange	<input type="text"/>	WIDTH (Specify)	
		PCD (Specify)	
Sheath Length "L"	<input type="text"/>	Specify	

Process Precision Instruments

101, Diamond Industrial Estate, Navghar, Vasai Road (E), Dist. Palghar - 401210, Maharashtra, India

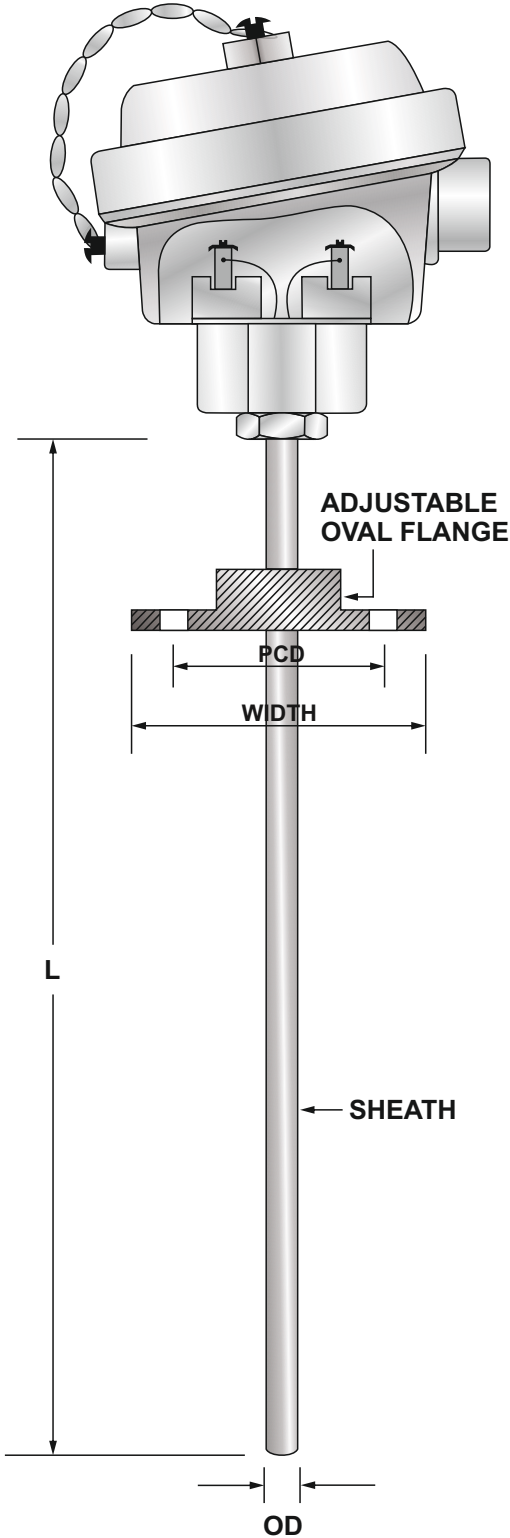
Sales : 8208199048 / 8208141446 Support : 07498799226 / 08767395333

sales@ppiindia.net www.ppiindia.net



RTD HEAD TYPE WITH ADJUSTABLE OVAL FLANGE (MINERAL INSULATED)

PHR - 12



Element	A	Pt- 100 x 1, Simplex
	B	Pt- 100 x 2, Duplex
	O	Consult Factory
Configuration	J2	2 - Wire
	J3	3 - Wire
	J4	4 - Wire (Simplex Only)
	O	Consult Factory
Termination	W	Weather Proof Head IP-67
	F	Ex. Proof Head IIA / IIB IP-66
	O	Consult Factory
Temp. Range	T1	-20 to 250°C
	T2	-150 to 400°C
	O	Consult Factory
Sheath Material (Flexible)	316	MI SS 316
	O	Consult Factory
Sheath "OD"	3	3mm (Simplex Only)
	5	5mm (Simplex / Duplex)
	6	6mm (Simplex / Duplex)
	8	8mm (Simplex / Duplex)
Adjustable Oval Flange	WIDTH (Specify)	
	PCD (Specify)	
Sheath Length "L"	Specify	

Process Precision Instruments

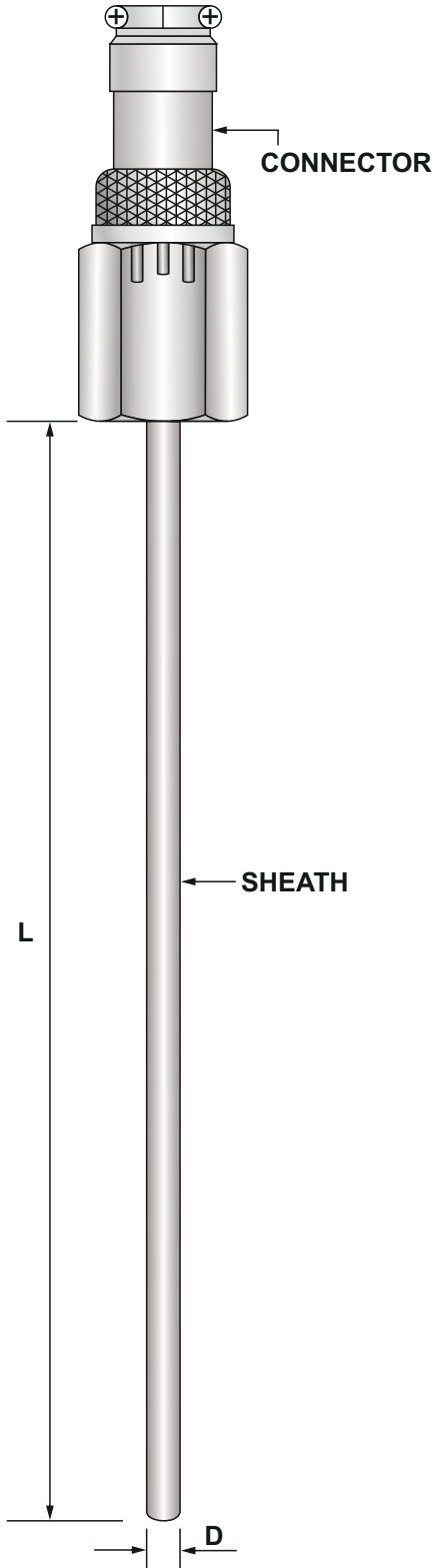
101, Diamond Industrial Estate, Navghar, Vasai Road (E), Dist. Palghar - 401210, Maharashtra, India

Sales : 8208199048 / 8208141446 Support : 07498799226 / 08767395333

sales@ppiindia.net www.ppiindia.net



PHR - 13



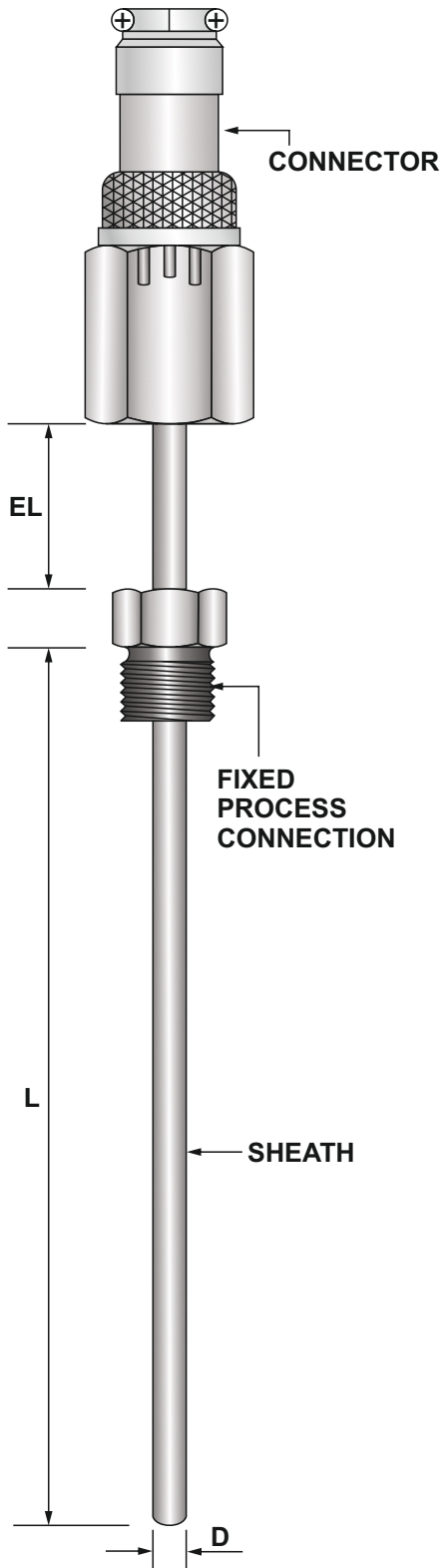
Element	<input type="text"/>	A	Pt- 100 x 1, Simplex
		O	Consult Factory
Configuration	<input type="text"/>	J2	2 - Wire
		J3	3 - Wire
		O	Consult Factory
Temp. Range	<input type="text"/>	T1	-20 to 250°C
		T2	-150 to 400°C
		O	Consult Factory
Sheath Material	<input type="text"/>	316	SS 316
		O	Consult Factory
Sheath "OD"	<input type="text"/>	6	6mm
		O	Consult Factory
Sheath Length "L"	<input type="text"/>	Specify	

Process Precision Instruments



RTD HEX (SS) HEAD TYPE WITH FIXED PROCESS CONNECTION

PHR - 14



Element	<input type="text"/>	A	Pt- 100 x 1, Simplex
		O	Consult Factory
Configuration	<input type="text"/>	J2	2 - Wire
		J3	3 - Wire
		O	Consult Factory
Temp. Range	<input type="text"/>	T1	-20 to 250°C
		T2	-150 to 400°C
		O	Consult Factory
Sheath Material	<input type="text"/>	316	SS 316
		O	Consult Factory
Sheath "OD"	<input type="text"/>	6	6mm
		O	Consult Factory
Fixed Process Connection	<input type="text"/>	Threads BSP / NPT	1/4" 3/8" 1/2" 3/4" 1" 1 1/4" 1 1/2" 2"
		M -Threads	M18 X 1.5 M20 X 1.5 M27 X 2 M33 X 2
		O	Consult Factory
Extension Length "EL"	<input type="text"/>	Specify	
Insertion Length "L"	<input type="text"/>	Specify	

Process Precision Instruments

101, Diamond Industrial Estate, Navghar, Vasai Road (E), Dist. Palghar - 401210, Maharashtra, India

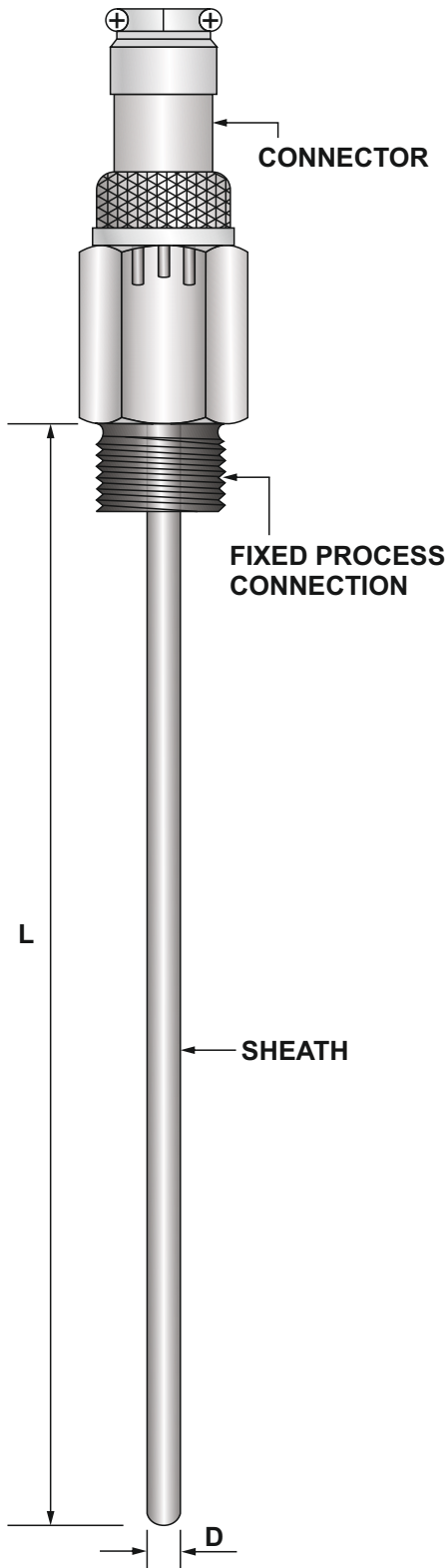
Sales : 8208199048 / 8208141446 Support : 07498799226 / 08767395333

sales@ppiindia.net www.ppiindia.net



RTD HEX (SS) HEAD TYPE WITH FIXED PROCESS CONNECTION

PHR - 15



Element	A	Pt- 100 x 1, Simplex
	O	Consult Factory
Configuration	J2	2 - Wire
	J3	3 - Wire
	O	Consult Factory
Temp. Range	T1	-20 to 250°C
	T2	-150 to 400°C
	O	Consult Factory
Sheath Material	316	SS 316
	O	Consult Factory
Sheath "OD"	6	6mm
	O	Consult Factory
Fixed Process Connection	Threads BSP	1/2"
Sheath Length "L"	Specify	

Process Precision Instruments

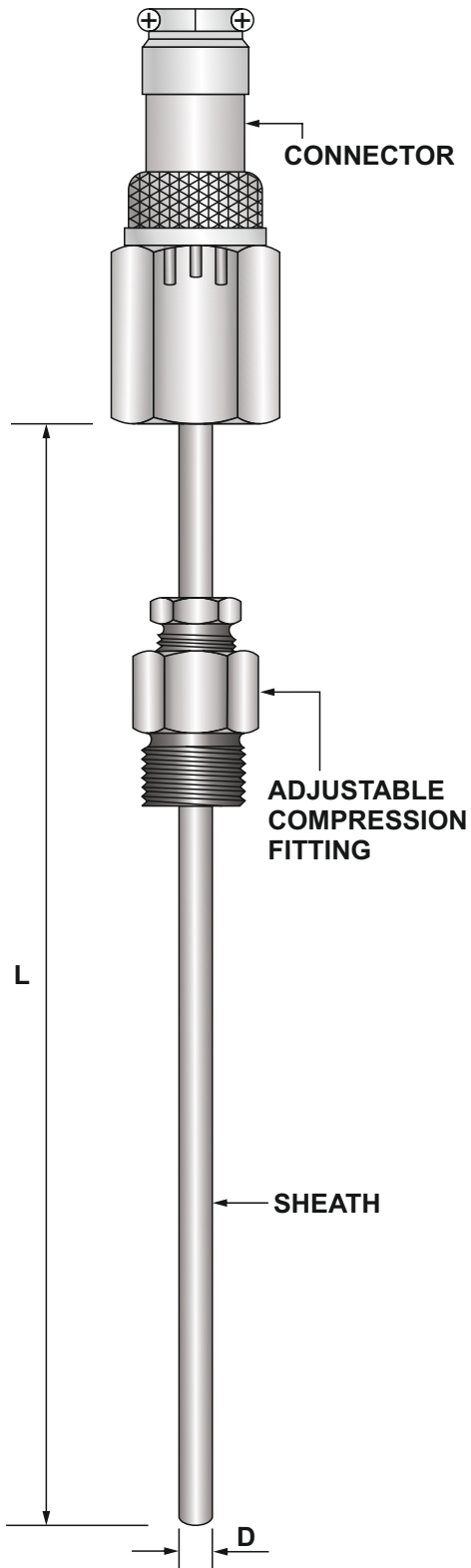
101, Diamond Industrial Estate, Navghar, Vasai Road (E), Dist. Palghar - 401210, Maharashtra, India

Sales : 8208199048 / 8208141446 Support : 07498799226 / 08767395333

sales@ppiindia.net www.ppiindia.net

RTD HEX (SS) HEAD TYPE WITH ADJUSTABLE COMPRESSION FITTING

PHR - 16



Element	A	Pt- 100 x 1, Simplex
	O	Consult Factory
Configuration	J2	2 - Wire
	J3	3 - Wire
	O	Consult Factory
Temp. Range	T1	-20 to 250°C
	T2	-150 to 400°C
	O	Consult Factory
Sheath Material	316	SS 316
	O	Consult Factory
Sheath "OD"	6	6mm
	O	Consult Factory
Adjustable Compression Fitting	Threads BSP / NPT	1/4" 3/8" 1/2" 3/4" 1" 1 1/4" 1 1/2" 2"
	M -Threads	M18 X 1.5 M20 X 1.5 M27 X 2 M33 X 2
	O	Consult Factory
Sheath Length "L"	Specify	

Process Precision Instruments

101, Diamond Industrial Estate, Navghar, Vasai Road (E), Dist. Palghar - 401210, Maharashtra, India

Sales : 8208199048 / 8208141446 Support : 07498799226 / 08767395333

sales@ppiindia.net www.ppiindia.net