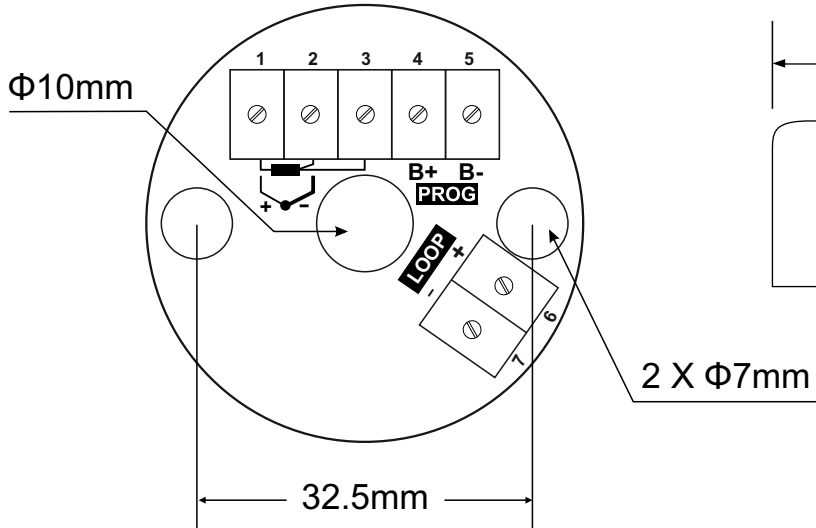


# TXU-01-H Operation Manual

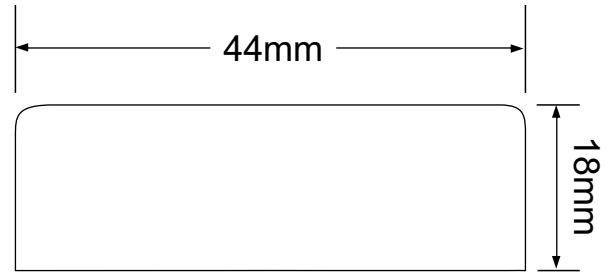
Head Mounting, Simplex, Universal  
2-Wire Temperature Transmitter



## CONNECTION DIAGRAM



## DIMENSIONS (mm)



## SENSOR WIRING DIAGRAM

### Thermocouple

Connect Thermocouple Positive (+) to terminal 1 & Negative (-) to terminal 2.

### RTD Pt100, 3-wire

For 3-Wire configuration, connect single lead end of RTD bulb to terminal 1 and the double lead ends to terminal 2 and 3 (interchangeable).

For 2-Wire configuration, connect RTD bulb across terminals 1 & 2 (interchangeable).

## LOOP WIRING DIAGRAM

