

Head Mount
TXR-01-H



DIN-Rail Mount
TXR-01-D

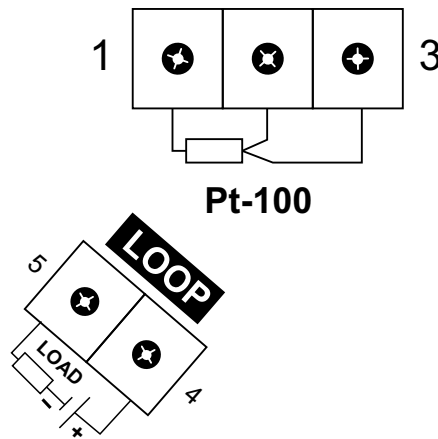


Specifications

Input															
Sensor Type	RTD Pt100 3-Wire (with lead wire Compensation) 2-Wire (without lead wire Compensation)														
Standard Ranges (Customized Ranges Available on Request)	<table border="0"> <tr> <td>-50°C to +150°C</td> <td>0°C to +400°C</td> </tr> <tr> <td>-20°C to +150°C</td> <td>0°C to +300°C</td> </tr> <tr> <td>-20°C to +250°C</td> <td>0°C to +200°C</td> </tr> <tr> <td>-50°C to +250°C</td> <td>0°C to +150°C</td> </tr> <tr> <td>-100°C to +100°C</td> <td>0°C to +250°C</td> </tr> <tr> <td></td> <td>0°C to +100°C</td> </tr> <tr> <td></td> <td>0°C to +50°C</td> </tr> </table>	-50°C to +150°C	0°C to +400°C	-20°C to +150°C	0°C to +300°C	-20°C to +250°C	0°C to +200°C	-50°C to +250°C	0°C to +150°C	-100°C to +100°C	0°C to +250°C		0°C to +100°C		0°C to +50°C
-50°C to +150°C	0°C to +400°C														
-20°C to +150°C	0°C to +300°C														
-20°C to +250°C	0°C to +200°C														
-50°C to +250°C	0°C to +150°C														
-100°C to +100°C	0°C to +250°C														
	0°C to +100°C														
	0°C to +50°C														
Sensor Connections	Screw Terminals														
Adjustment @ Zero	± 1.2% of Range e.g. for 0 to 400°C $0.012*(400°C - 0°C) = \pm 4.8°C$														
Adjustment @ Span	± 12% of Range e.g. for 0 to 400°C $0.12*(400°C - 0°C) = \pm 48°C$														
Linearisation	BS EN 60751(IEC 751) Standard/JISC 1604														
Measurement Accuracy	0.1°C ± 0.05% of Reading														
Thermal Drift	25 ppm / °C														
Excitation Current	< 500 uA														
Lead Resistance Effect	0.002°C / Ω														
Lead Resistance Compensation	Up to 5Ω per leg														
Output															
Output Type	2-Wire, 4 to 20 mA Current Loop														
Output Range	4 to 20 mA														
Output Connections	Screw Terminals														
Maximum Loop Current	24 mA (Sensor Break or Open Condition)														
Minimum Loop Current	3.8 mA (Sensor Short / Under Range Condition)														
Accuracy	± 6 uA														
Maximum Output Load (Approx.)	$[(V_{supply} - 10) / (0.021)]$ Ohms Examples : 650Ω @ 24 VDC / 100Ω @ 12 VDC														

General	
Response Time	82 mS
Supply Voltage	12 to 36 VDC (24 VDC Nominal)
Supply Voltage Effect	± 0.005% of FS per Volt
Isolation	Non Isolated
Environmental (Ambient)	
Operating Range	-40 to 85°C (-40 to 185°F)
Storage Temperature	-50 to 90°C (-58 to 194°F)
Humidity Range	10 to 90% RH non-condensing

Electrical Wiring For Head Mount Transmitter

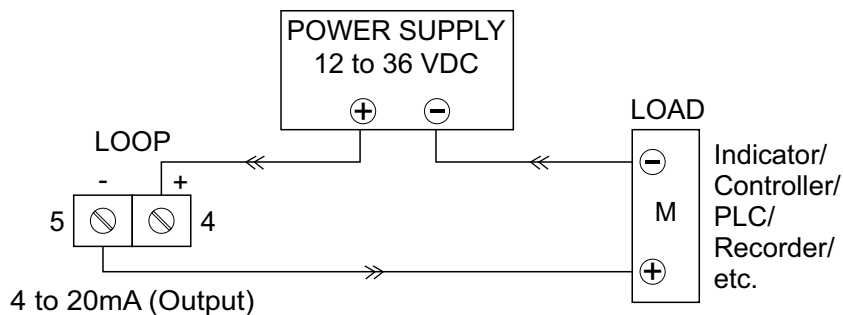


SENSOR WIRING DIAGRAM

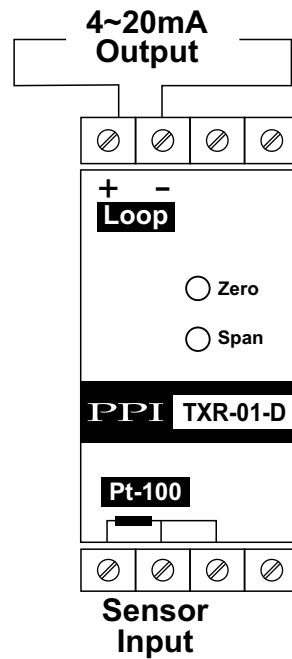
For 3-Wire configuration, connect single leaded end of RTD bulb to terminal 1 and the double leaded ends to terminal 2 and 3 (interchangeable).

For 2-Wire configuration, connect RTD bulb across terminals 1 & 2 (interchangeable).

LOOP WIRING DIAGRAM

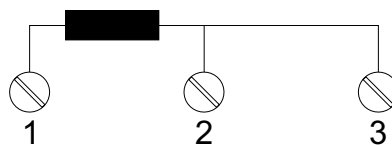


Electrical Wiring For DIN-Rail Transmitter



SENSOR WIRING DIAGRAM

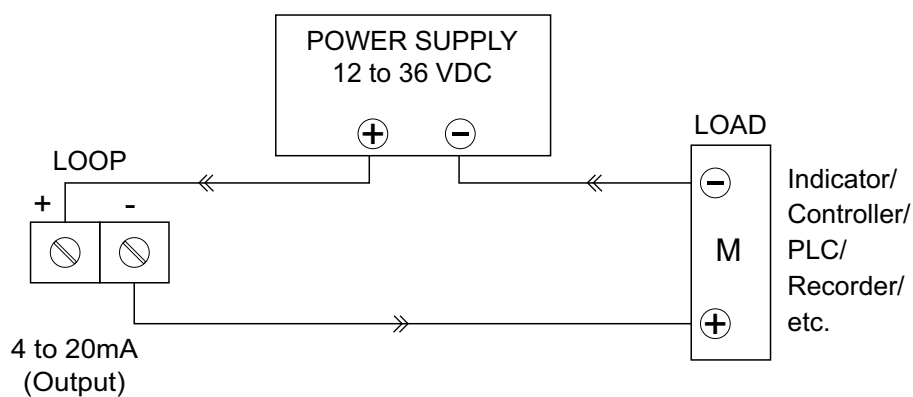
Figure 1



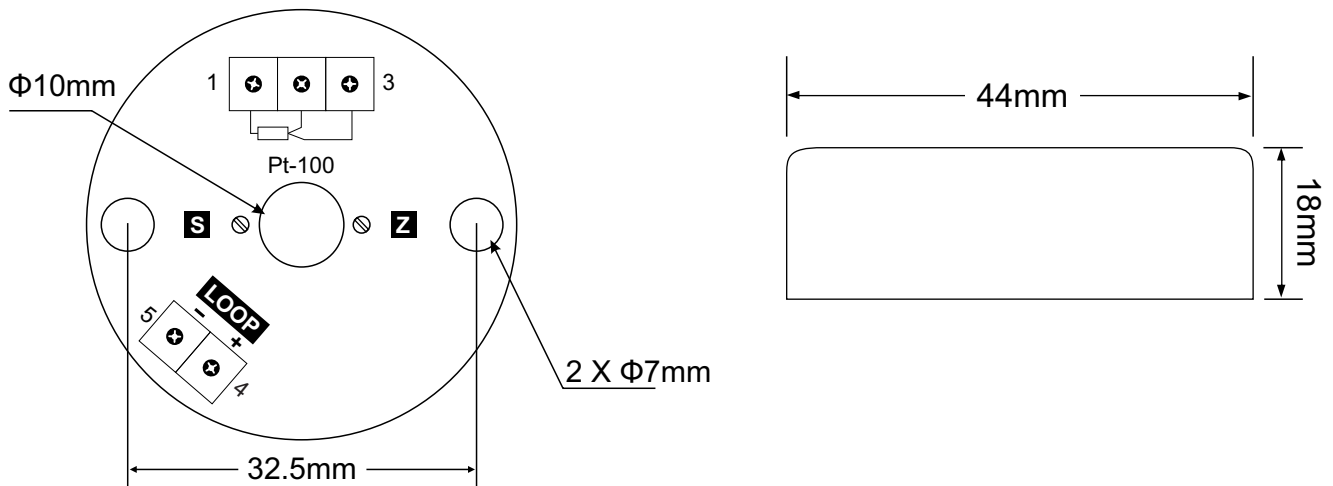
For 3-Wire configuration, connect single lead end of RTD bulb to terminal 1 and the double lead ends to terminal 2 and 3 (interchangeable) as shown in Figure.

For 2-Wire configuration, connect RTD bulb across terminals 1 & 2 (interchangeable).

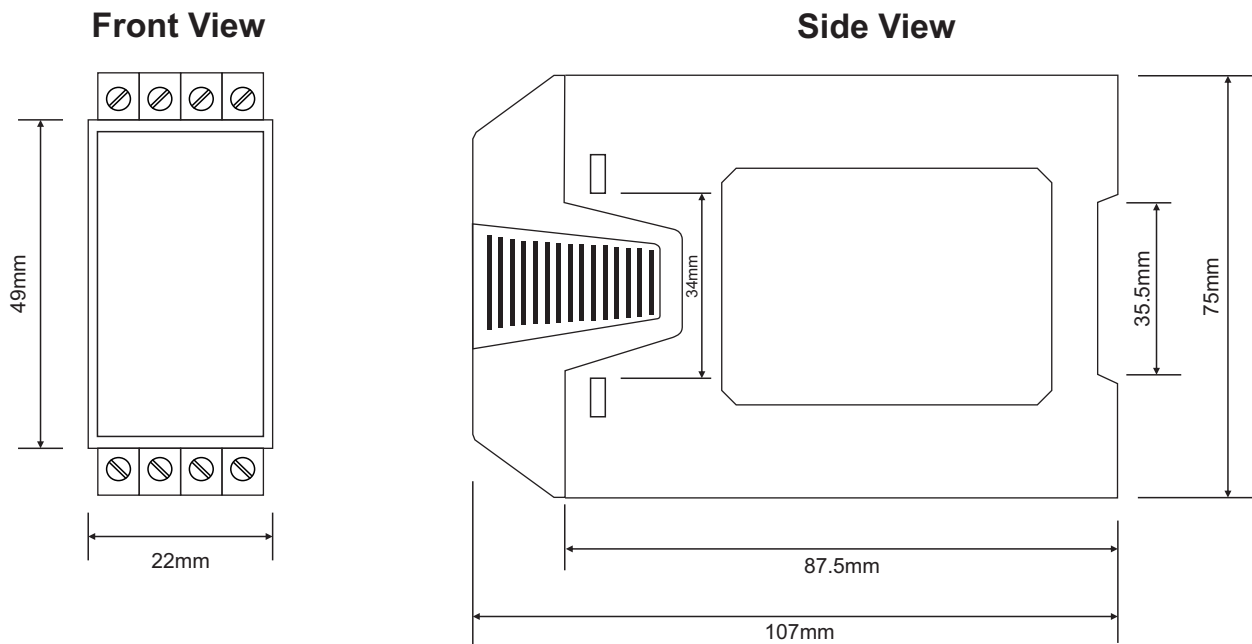
LOOP WIRING DIAGRAM



Mechanical Dimensions for Head Mount Transmitter



Mechanical Dimensions for DIN-Rail Transmitter



Overall Dimensions : 22(W) X 75(H) X 107(D), mm