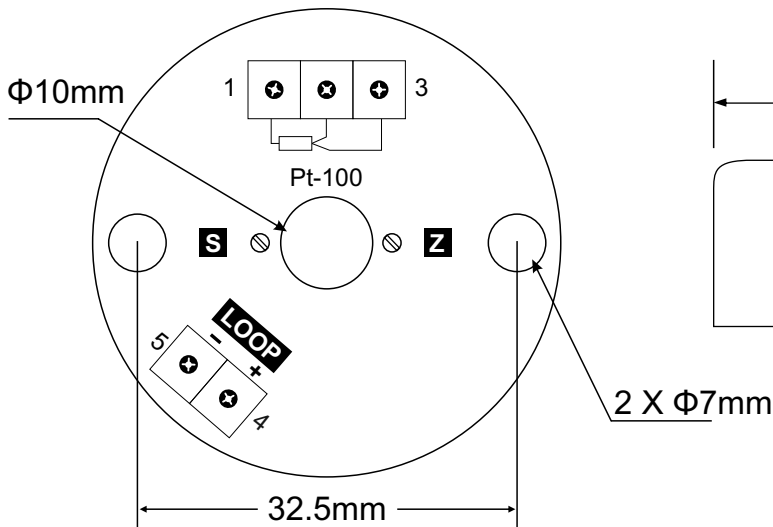


TXR-01-H Operation Manual

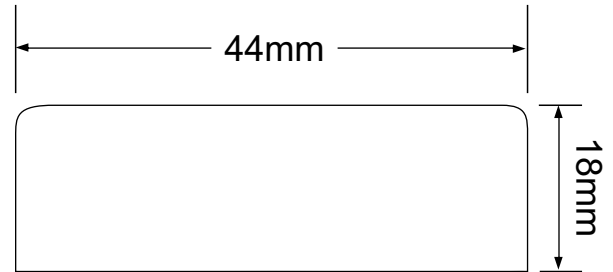
RTD Pt100, Simplex, In-Head,
2-Wire Temperature Transmitter



CONNECTION DIAGRAM



DIMENSIONS (mm)



SENSOR WIRING DIAGRAM

For 3-Wire configuration, connect single lead end of RTD bulb to terminal 1 and the double lead ends to terminal 2 and 3 (interchangeable).

For 2-Wire configuration, connect RTD bulb across terminals 1 & 2 (interchangeable).

Zero Adjustment : Within $\pm 1.2\%$ of Range through multi-turn trimpot.

Example : For 0 to 400°C, $0.012 * (400^\circ\text{C} - 0^\circ\text{C}) = \pm 4.8^\circ\text{C}$

Span Adjustment : Within $\pm 12\%$ of Range through multi-turn trimpot.

Example : For 0 to 400°C, $0.12 * (400^\circ\text{C} - 0^\circ\text{C}) = \pm 48^\circ\text{C}$

LOOP WIRING DIAGRAM

