

Probe Type T+RH Transmitters

STH 9C / STH 9V / STH 9D

4-20 mA / 0-5 V / RS485 MODBUS Output
 12 to 36 VDC Operated

Process Precision Instruments

Vasai Road (E), Dist. Palghar - 401210,
 Maharashtra, India

www.ppiindia.net



Salient Features

- High Precision, Long Term Stability & Good Anti-Interference
- Compact Size, Simple Installation
- Current (4-20 mA), Voltage (0-5 VDC) & RS485 (MODBUS) Output Versions
- Applications : Ventilation Ducts, Industrial Workshops, Ware Houses, Stability / Environmental Chambers, etc.
- Reverse Polarity Protected Current Outputs
- Over-Voltage & Reverse Polarity Protected Power Supply
- Wide Supply Voltage Range : 12 to 36 VDC
- High Protection Grade of IP65
- **Dimensions :**
 Current Output Version : 15 mm Diameter X 214 mm Long
 Voltage Output Version : 15 mm Diameter X 104 mm Long
 RS485 Output Version : 15 mm Diameter X 104 mm Long

General Information

Product Type	Probe Type T+RH Transmitter
Ordering Code	STH 9C 4 to 20 mA Current Outputs
	STH 9V 0 to 5 VDC Voltage Outputs
	STH 9D RS485 MODBUS Output
Quantity	1 Unit
Accessories	Mounting Flange (Oval) with Screw Sets

General Specifications

Housing Material	Polycarbonate (PC)
Power Supply	12 to 36 VDC
Working Environment	-40 to +85°C, 5 to 95%RH (Non-condensing)
Protection Class	IP65

%RH (Relative Humidity)

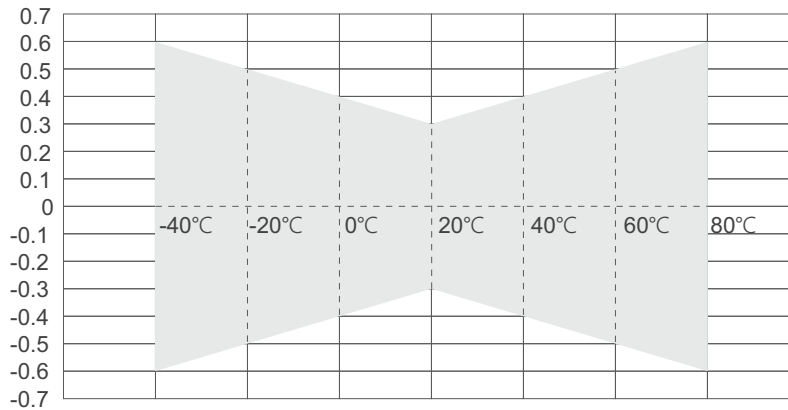
Sensor Type	Digital
Range	0 to 100%RH
Accuracy	± 3% @ 20°C & 60%RH
Output	STH 9C : 4 to 20 mA STH 9V : 0 to 5 VDC STH 9D : RS485 MODBUS

Probe Type T+RH Transmitters

Temperature

Sensor Type	Digital
Range	-40 to +85 °C
Accuracy	± 0.3°C @ 20°C (Refer Temperature Accuracy Curve)
Output	STH 9C : 4 to 20 mA STH 9V : 0 to 5 VDC STH 9D : RS485 MODBUS

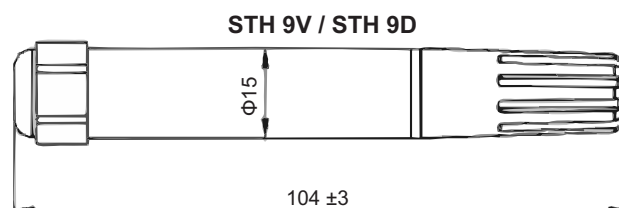
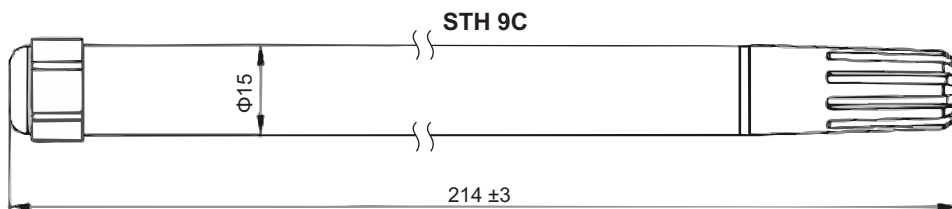
Temperature Accuracy Curve



Serial Communication (Model : STH 9D)

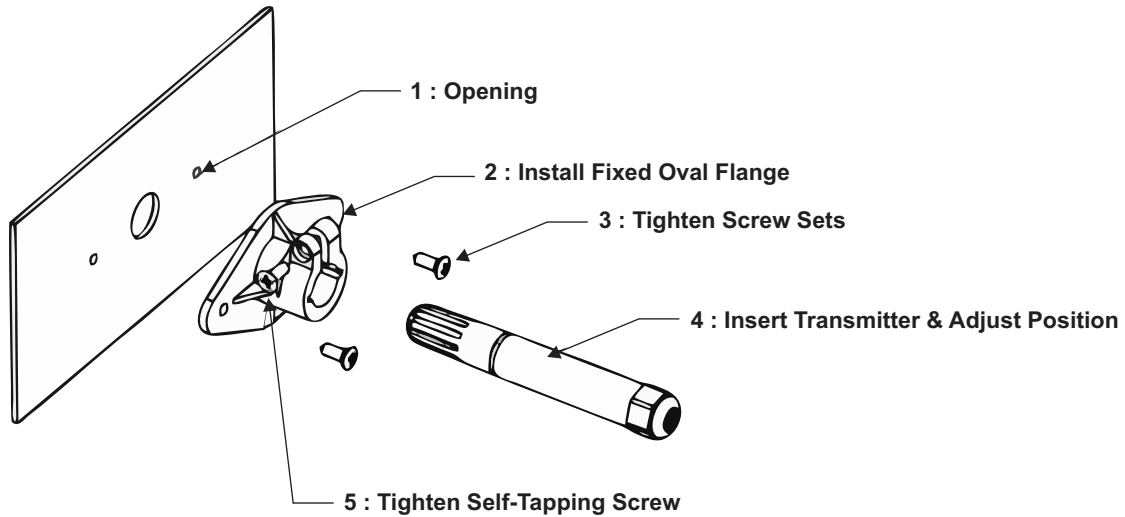
Port	RS485, 2-wire, Half Duplex, Start-Stop Synchronized
Protocol	MODBUS RTU (Slave)
Slave ID	Settable : 1 to 255 (Default : 1)
Baud Rate	Settable : 9600, 19200, 38400, 115200 bps (Default : 9600)
Parity	None
Data Format	1 Start Bit + 8 Data Bits + 1 Stop Bit
Temperature & %RH Values	16 Bit Signed Integer or 32 Bit Float Value (0.1°C & 0.1%RH Resolution)

Dimensions (mm)

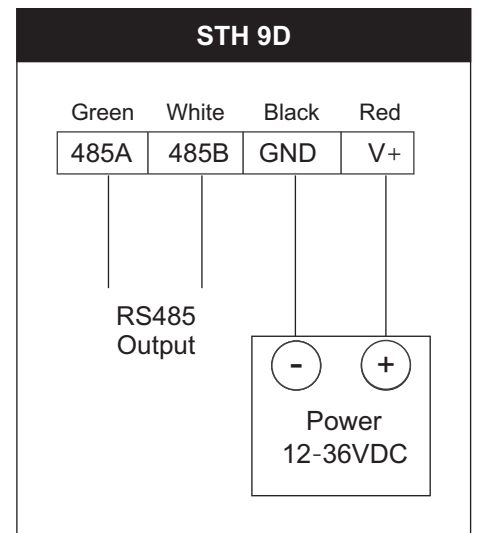
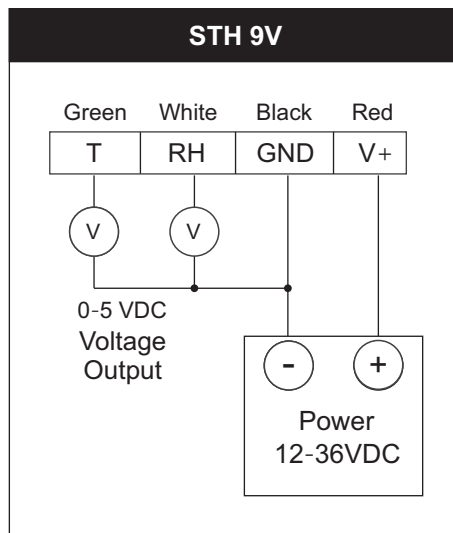
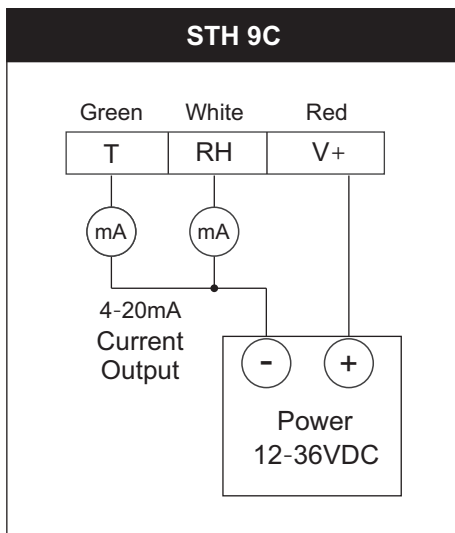


Probe Type T+RH Transmitters

Installation



Wiring Instructions



Process Precision Instruments (An ISO 9001 : 2008 Company)

📍 101, Diamond Industrial Estate, Navghar, Vasai Road (E), Dist. Palghar - 401210, Maharashtra, India
 📞 Sales : 8208199048 / 8208141446 Support : 07498799226 / 08767395333
 ✉️ sales@ppiindia.net 🖱️ www.ppiindia.net