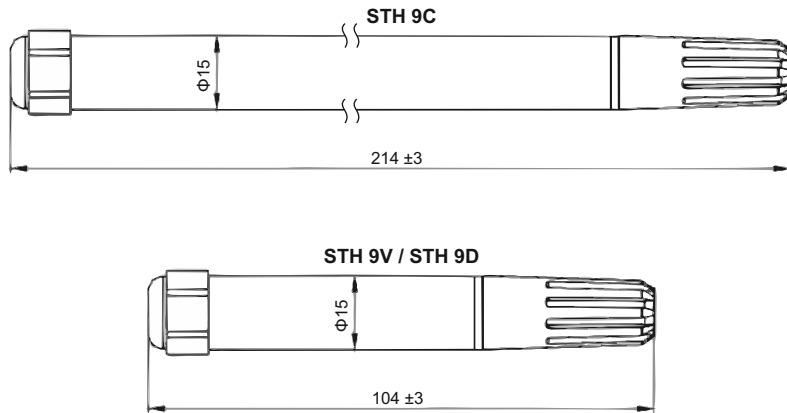


STH 9C : 4-20 mA Output
STH 9V : 0-5 VDC Output
STH 9D : RS485 MODBUS

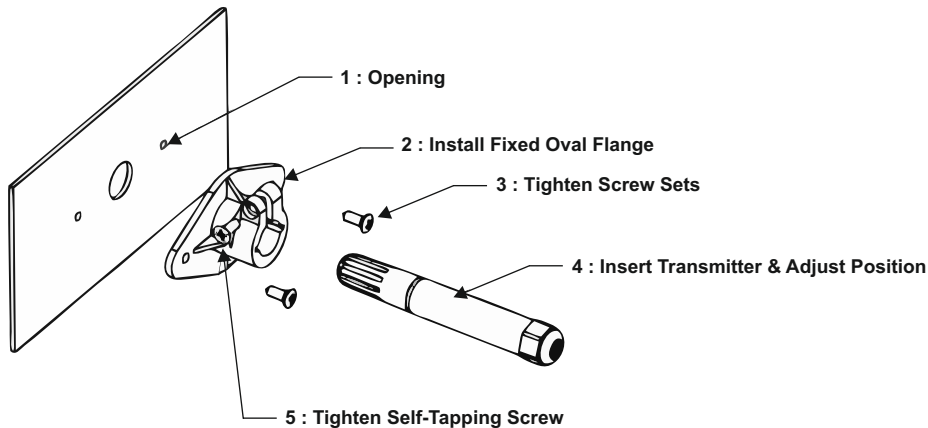
Installation Manual



Dimensions (mm)

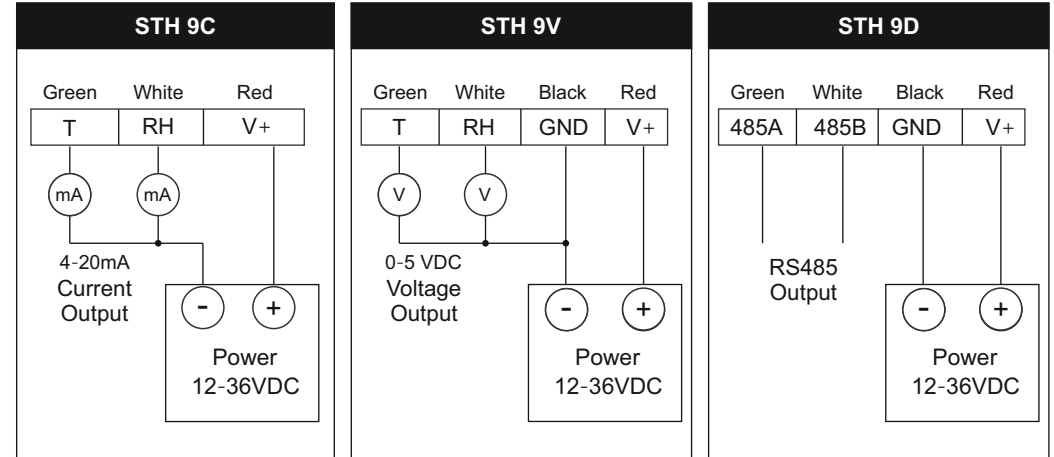


Installation



- Avoid exposure to heat sources, cold sources or direct sunlight.
- Avoid usage in environment subjected to Oil pollution, Organic solvent, and Corrosive gases.
- Ensure regular cleaning of the filter membrane if exposed to dusty environment.
- Store in a dry environment if not in use for a prolonged time.

Wiring Instructions



MODBUS Register Addresses : STH 9D

Parameter	Address	R/W	Description	Default
Baud Rate	3	R/W	1 = 9600 bps, 2 = 19200 bps, 3 = 38400 bps, 4 = 115200 bps	9600 bps
Slave ID	4	R/W	1 to 255	1
Temperature (16 Bit Signed Integer)	1	R	0.1 °C Resolution. Examples : 0x00C4 = 19.6 °C 0xFFBE = -6.6 °C	NA
Humidity (16 Bit Signed Integer)	2	R	0.1% Resolution. Example : 0x0134 = 30.8%	NA
Temperature (32 Bit Float)	6	R	0.01 °C Resolution. Examples : 0x41200000 = 10.00°C 0xC1A00000 = -20.00°C	NA
Humidity (32 Bit Float)	8	R	0.01% Resolution. Example : 0x41200000 = 10.00%	NA