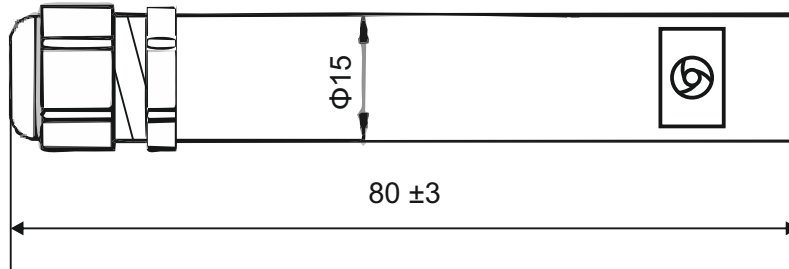
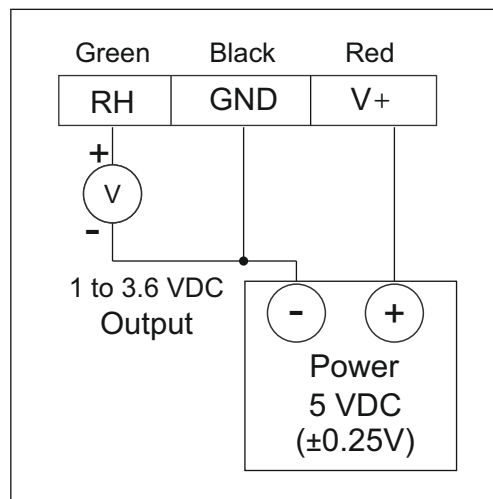


Dimensions (mm)



Wiring Instructions



Reference Output Values (V_{cc} = 5V, Temp. = 25°C)

%RH	V _{out} (VDC)	%RH	V _{out} (VDC)
10	1.235	55	2.480
15	1.390	60	2.605
20	1.540	65	2.730
25	1.685	70	2.860
30	1.825	75	2.990
35	1.960	80	3.125
40	2.090	85	3.260
45	2.220	90	3.400
50	2.350	95	3.530

Linear Equations

$$V_{out} \text{ (mV)} = (26.23 \times RH) + 1032$$

$$RH \text{ (%) } = (0.03812 \times V_{out}) - 39.36$$