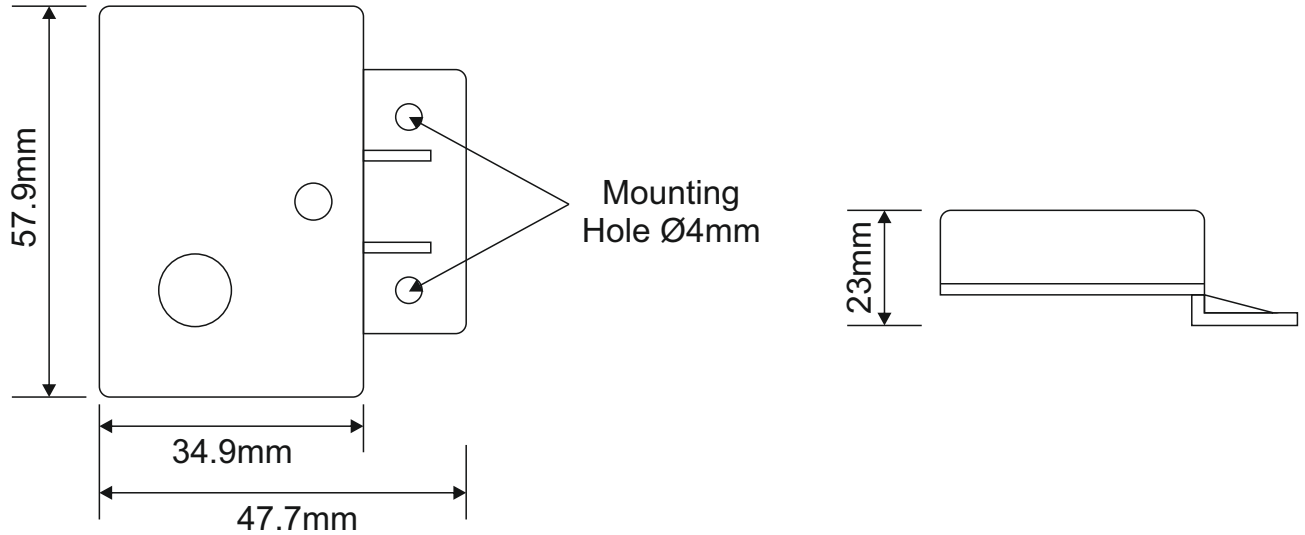
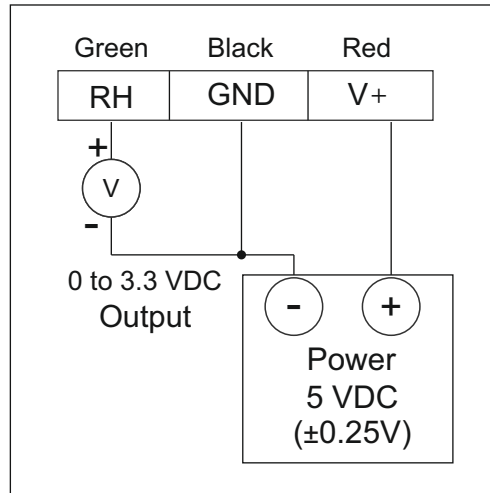


Dimensions (mm)



Wiring Instructions



Reference Output Values (Vcc = 5V, Temp. = 25°C)

%RH	V _{out} (VDC)	%RH	V _{out} (VDC)
10	0.330	60	1.980
20	0.660	70	2.310
30	0.990	80	2.640
40	1.320	90	2.970
50	1.650	95	3.135

Linear Equations

$$V_{out} = 0.033 \times (\%RH) \text{ Volts}$$

$$\%RH = 30.303 \times V_{out}$$