

# Economic Humidity Transmitter

## RH10

**0 to 3.3 VDC Output**  
**5 VDC Operated**

**Process Precision Instruments**  
 Vasai Road (E), Dist. Palghar - 401210,  
 Maharashtra, India

www.ppiindia.net



### Features

- Linear & Calibrated Voltage Output (0 to 3.3 VDC)
- Wall Mount Sturdy Housing
- Compact Size, Easy Installation
- Supply Voltage : 5 VDC  $\pm$  0.25V
- Dimensions : 57.9(H) X 47.7(W) X 23(D), mm
- Applications : Smart Appliances, HVAC Control, Industrial Process Control, Automotive, Environment Monitoring, etc.

### General Information

<b>Product Type</b>	Economic RH Transmitter
<b>Ordering Code</b>	RH10 with 3 Meter PVC Cable (Larger Cable Length on Request)
<b>Quantity</b>	1 Unit

### General Specifications

Housing Material	ABS
Power Supply	5 VDC $\pm$ 0.25V (Current Consumption 1.0 mA, Typical)
Working Environment	-40 to +85°C, 5 to 95%RH (Non-condensing)

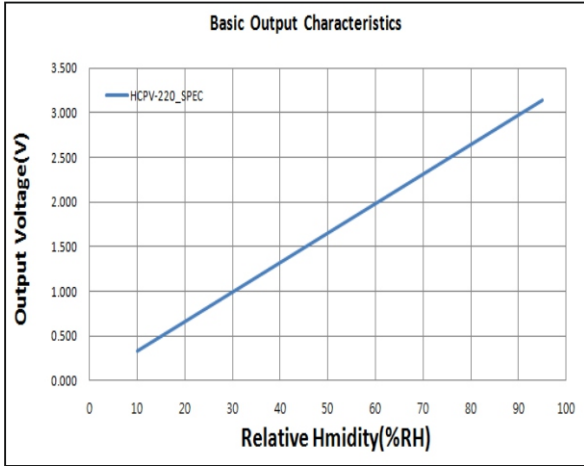
### %RH (Relative Humidity)

Sensor Type	Capacitive (HumiChip ®)
Range	10 to 95%RH
Accuracy	$\pm$ 3% @ 20°C & 50%RH
Temperature Coefficient	-0.05 %RH / °C
Response Time	7 Sec. Typical
Output	0 to 3.3 VDC Corresponding to 0 to 100%RH (Refer Humidity Look-up Table)

# Wall Mount Humidity Transmitter

## Humidity Look-up Table

Reference Output Values (Vcc = 5V, Temp. = 25°C)



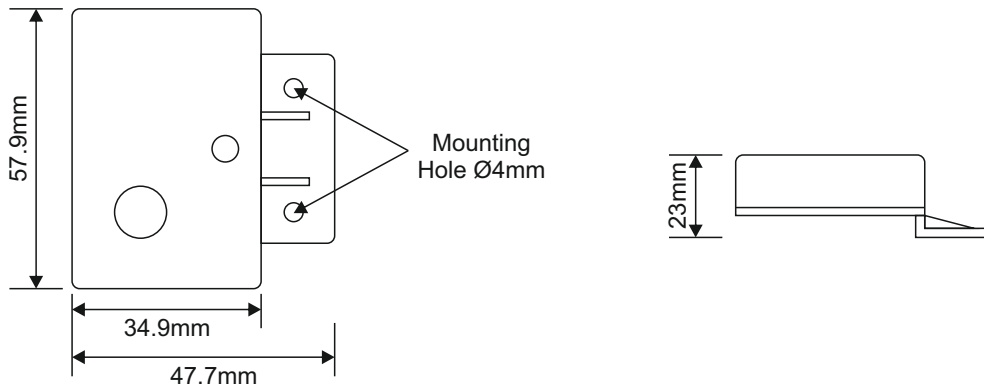
%RH	V <sub>out</sub> (VDC)	%RH	V <sub>out</sub> (VDC)
10	0.330	60	1.980
20	0.660	70	2.310
30	0.990	80	2.640
40	1.320	90	2.970
50	1.650	95	3.135

### Linear Equations :

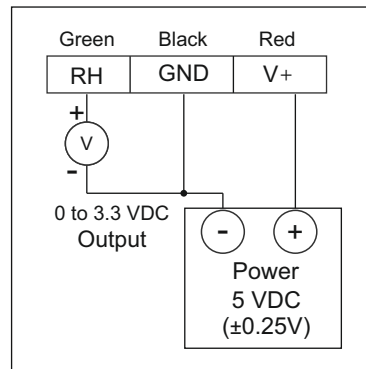
$$V_{out} = 0.033 \times (\%RH) \text{ Volts}$$

$$\%RH = 30.303 \times V_{out}$$

## Dimensions (mm)



## Wiring Instructions



## Process Precision Instruments (An ISO 9001 : 2008 Company)

101, Diamond Industrial Estate, Navghar, Vasai Road (E), Dist. Palghar - 401210, Maharashtra, India

Sales : 8208199048 / 8208141446 Support : 07498799226 / 08767395333

sales@ppiindia.net www.ppiindia.net