

Microedge
Instruments Inc.

404 – 1688 152nd Street
Surrey, BC
Canada V4A 4N2
Phone: 604.424.9092

Toll Free: 1.877.352.9158
Fax: 1.877.453.0658
Email: info@microedgeinstruments.com
Web: www.microedgeinstruments.com

iLog Series

Compact Data Loggers



User's Manual

Microedge Instruments Inc.
404 – 1688 152nd Street
Surrey, BC, Canada, V4A 4N2
Toll Free: 1.877.352.9158
www.microedgeinstruments.com

About this Manual

This manual contains operational information for iLog Data Loggers. Please read this manual before using the data loggers.

Limits of Liability and Disclaimer of Warranty:

The manual contained in this document is furnished for informational use only and is subject to change without notice.

Microedge Instruments Inc. shall not be liable for errors contained herein or for incidental or consequential damages in connection with the furnishing, performance, or use of this material.

Copyright and Trademarks

This manual contains proprietary information which is protected by copyright. All rights are reserved. No part of this document may be photocopied, reproduced, or translated to another language without prior written consent of Microedge Instruments Inc.

Microedge Instruments Inc., iLog, SiteView are the trademarks of Microedge Instruments Inc.

All other trademarks and registered trademarks are the property of their respective owners.

Microedge Instruments Inc.

404 – 1688 152nd Street

Surrey, BC Canada, V4A 4N2

Toll Free: 1.877.352.9158

Web-Site: www.microedgeinstruments.com

Email: info@microedgeinstruments.com

Rev 1.4 For SiteView 4. Oct. 2018

Conditions of Sale and Product Warranty

Microedge Instruments Inc. (MEI) and the Buyer agree to the following terms and conditions of Sale and Purchase:

1. Limited Warranty.

MEI warrants its product(s) to be free from defects in materials and workmanship for a period of one year from the date of registered purchase. Any unit which is found to be defective will, at the discretion of MEI, be repaired or replaced.

MEI will not be responsible for the repair or replacement of any unit damaged by user modification, negligence, abuse, improper installation, or mishandling.

MEI reserves the right to alter any feature or specification at any time.

2. Limitation of Liability.

The product must NOT be used in applications where failure of the product could lead to physical harm or loss of human life. Buyer is responsible to conduct their own tests to meet the safety regulation of their respective industry.

IN NO EVENT WILL MEI BE LIABLE TO ANY PARTY FOR ANY DIRECT, INDIRECT, INCIDENTAL, SPECIAL, CONSEQUENTIAL OR PUNITIVE DAMAGES FOR USE OF THE PRODUCT, INCLUDING, WITHOUT LIMITATION, LOST PROFITS OR REVENUES, COSTS OF REPLACEMENT, BUSINESS INTERRUPTIONS, LOSS OF DATA OR DAMAGES RESULTING FROM USE OF OR RELIANCE ON THE PRODUCT, EVEN IF MEI IS EXPRESSLY ADVISED ABOUT THE POSSIBILITY OF SUCH DAMAGES.

3. Extended Warranty.

Extended 2-year warranty service is available to purchase on new products at time of order entry and up to ninety days thereafter. The extended warranty protects you from unbudgeted service expenses and provide additional 2 years of protection at a fraction of the price of a repair.

4. Return Policy.

Defective Product Return:

A Buyer may return a defective product to MEI for repair or replacement, at MEI option, in the event MEI determines that the product is defective. The defective product must be returned to MEI within the warranty period. The Buyer shall be responsible for all shipping costs. Repaired or replaced products are warranted for the balance of the original warranty period, or at least 90 days.

Non-defective Product Return:

Products that are not defective may be returned to MEI within 30 days from the date of shipment. All non-defective product returns are subject to a 20% restocking fee. If the product is unsatisfactory for the application for which it was purchased, MEI shall, at its option, either refund the purchase price paid by the Buyer or replace the product with one that is satisfactory for the application. The Buyer shall be responsible for all shipping costs and restocking fee determined by MEI.

Method of Return:

Prior to returning the product, completely fill out the RMA Application Form, send it to MEI or contact MEI directly for a Return Material Authorization number. All products returned to MEI must be securely packaged in the original shipping materials and reach MEI without damage and shipped in accordance with Applicable laws, rules, and regulations. The products must contain all software and accessories that were shipped to the Buyer in connection with the product.

5. MEI reserves the right to alter any feature or specification at any time.

Notes to Buyer:

If you disagree with any of the above terms or conditions you should promptly return the unit to the manufacturer or distributor within 30 days from date of purchase.

TABLE OF CONTENTS

ABOUT THIS MANUAL	1
LIMITS OF LIABILITY AND DISCLAIMER OF WARRANTY:	1
COPYRIGHT AND TRADEMARKS	1
1. INTRODUCTION	6
1.1 FEATURES OF THE LOGGER	6
1.2 APPROVALS.....	6
1.3 CARE OF THE LOGGER	7
1.4 IDENTITY OF THE LOGGER	7
1.5 BATTERY.....	7
1.6 RECALIBRATION.....	7
1.7 SAFETY WARNING	8
<i>Maximum Input Voltage Range</i>	8
<i>Maximum Input Current Range</i>	8
<i>External Power Supply</i>	8
<i>Grounding</i>	8
2. HARDWARE & MECHANICAL DIMENSION	9
<i>Logger Diagram:</i>	9
<i>AUX Port Pin-out (Face-In)</i>	10
<i>USB Port Pin-out (Face-In)</i>	11
3. CHANNELS AND SENSOR CONNECTIONS	11
iLOG VOLTAGE DATA LOGGER, MODEL: iVDC-10	11
<i>Channel and Sensor Specifications:</i>	12
iLOG CURRENT DATA LOGGER, MODEL: iCDC-25.....	12
<i>Channel and Sensor Specifications:</i>	12
iLOG THERMOCOUPLE DATA LOGGER, MODEL: iTC-80	13
<i>Channel and Sensor Specifications:</i>	13
<i>Measure Temperature:</i>	14
iLOG THERMISTOR, MODEL: iTH-10.....	14
<i>Channel and Sensor Specifications:</i>	15
<i>Measure Resistance:</i>	15
<i>Measure Temperature:</i>	15
iLOG STRAIN GAUGE/BRIDGE DATA LOGGER, MODEL: iBG-[X]	17
<i>What is a Strain Gauge</i>	18
<i>Quarter Bridge Circuit:</i>	18
<i>Half Bridge Circuit:</i>	19
<i>Full Bridge Circuit:</i>	19
<i>Connect Strain Gauge to a Data Logger</i>	20
<i>Channel and Sensor Specifications:</i>	22
4 BASIC FUNCTIONS	22

BUILT-IN EQUATIONS	22
MEASURING & LOGGING	23
<i>Start Time:</i>	23
<i>End Time:</i>	23
<i>Sampling Interval:</i>	23
<i>Logging Mode:</i>	24
DOWNLOADING DATA	24
FIELD ACTIVATION	24
RESET DEVICE	25
STATUS LED.....	26
ALARM1 & A2/EXT TERMINALS.....	26
ALARM OUTPUT.....	27
EXCITATION OUTPUT	29
5. SOFTWARE.....	31
SYSTEM REQUIREMENTS	31
COMMUNICATIONS INTERFACES	31
INSTALL SITEVIEW AND USB DRIVER.....	32
CONNECT DATA LOGGER.....	37
ACTIVATE SITEVIEW	40
MAIN WINDOW FRAME.....	42
<i>Communication Panel</i>	42
<i>Menu Bar</i>	42
<i>Tool Bar</i>	42
<i>Main Working Panel</i>	42
<i>Information Log Panel</i>	43
VIEW LOGGER STATUS	43
<i>General</i>	45
<i>Alarm & Excitation</i>	45
CONFIGURE LOGGER.....	46
<i>Description:</i>	47
<i>Sampling Interval:</i>	47
<i>On-Board LED</i>	47
<i>When Memory Full</i>	48
<i>Time to Start & Time to End</i>	48
<i>Total Time Span</i>	48
<i>Enabled</i>	48
<i>Channel Range</i>	48
<i>Description</i>	48
<i>Equation</i>	48
<i>Cali. Low & Cali. High</i>	49
<i>Alarm/Excitation Selection</i>	49
<i>Notify Alarm via Modem</i>	50
<i>Alarm-On Delay</i>	50
<i>Excitation Warm-up Delay</i>	50
<i>Channel Alarm Settings</i>	50
DOWNLOAD LOGGER	51

<i>Filename & Browse</i>	53
<i>Start Time & End Time</i>	53
REAL-TIME DISPLAY	54
<i>Show List</i>	56
<i>Show Graph</i>	56
<i>Vertical</i>	56
<i>Time Span</i>	56
<i>Dataset</i>	56
<i>Settings</i>	56
CALIBRATE A CHANNEL.....	57
<i>Understand Cali. Low & Cali. High</i>	57
<i>Decide On-Line or Off-Line Calibration</i>	58
6. SPECIFICATIONS.....	62
COMMON SPECIFICATIONS	62
LOGGING CAPACITY	63

1. Introduction

1.1 Features of the logger

Congratulations on purchasing the iLog series of data loggers! These portable battery powered data loggers allow recording information and saving measurements to a 4MB flash memory for later retrieval.

The internal lithium battery provides up to 12 years of instantaneous logging operation when sampling at interval of one minute.

An iLog data logger can be manipulated by SiteView Windows software for data downloading, logging management, and property configuration. It has both TTL-compatible serial port and USB interface for different communications requirements.

An iLog data logger features a wide sampling interval range from 20 milliseconds to 12 hours, providing alternative to data acquisition devices and paper chart recorders.

An iLog data logger provides alarm outputs controlled by the low and high programmable alarm thresholds of each enabled channel. The alarm control outputs can be used to turn on/off external alarm devices such as strobe lights, sirens or alarm telephone diallers.

An iLog data logger also has an excitation control output used to switch the power supply of the external transducer/transmitter.

An iLog data logger contains one internal thermistor channel, and one external process signal channels. The 16-bit analog-to-digital converter makes the measurements more precise and accurate.

And iLog data logger also has a rugged, splash resistant aluminum enclosure.

1.2 Approvals



All iLog Series data loggers are in conformity with the EN standard(s) listed below:

- ☑ **EN 61000-6-2:[2005]**
General standards – Immunity for industrial environments
- ☑ **EN 61000-6-3:[2007]**

General standards – Emission standard for residential, commercial and light-industrial environments

following the provisions of the following directive(s)

- ☑ **2004/108/EC** **Electromagnetic compatibility (EMC)**



All iLog Series of data loggers comply with Part15 of the FCC Rules. Operation is subject to the following two conditions:

1. These devices may not cause harmful interference, and
2. These devices must accept any interference received, including interference that may cause undesired operation.

1.3 Care of the logger

Although the iLog data loggers are weather resistant, the loggers are designed to work in-door and in humid atmospheres of up to 95% RH non-condensing. They should be protected against immersion. The environment temperature should be within – 40 to +70°C (-40 to + 158°F).

1.4 Identity of the logger

Each logger has its own unique serial number, which can be found on the back of the enclosure. The serial number is used to identify the logger and enable us to keep a record of its history like calibrations and warranty. Please reference it in any correspondence with MEI.

1.5 Battery

The battery lasts in excess of 12 years when sampling at 1-minute intervals. When the battery is nearing the end of its service life, the on-board status LED will glow in amber each time the logger is sampling the data. The battery indicator on the status window in SiteView software will also display warning of low battery level. The battery operates approximately one or two weeks from the time the logger first indicates a low battery, but we recommend that the battery be changed as soon as the warning is displayed. The battery is factory replaceable only.

1.6 Recalibration

Any iLog data logger is supplied with all channels pre-calibrated and should not require any further recalibration for a period of 12 months.

We recommend the logger be recalibrated every year. You may recalibrate the logger longer than a year depending on your application standard.

You may return the logger to the supplier for recalibration service or recalibrate it on your own via SiteView software.

SiteView software provides two-point calibration for the most of the loggers.

1.7 Safety Warning

Maximum Input Voltage Range

For logger model: iVDC-10, iTC-80:

The logger is designed to measure single common ground DC voltages in the range up to 10 VDC. Any voltages over this range may cause permanent damage to the device.

For logger model: iBG-[X]:

The logger is designed to measure strain gauge/bridge signal up to $\pm 520\text{mVDC}$. Any voltages over this range may cause permanent damage to the device.

Maximum Input Current Range

For logger model: iCDC-25:

The logger is designed to measure single common ground DC current in the range up to 25 mA. Any current over this range may cause permanent damage to the device.

External Power Supply

When using external power supply (via USB, Serial Port, Device Server, or thirty party +5 VDC power supply) to power the logger please make sure that the external power supply has the same common ground with the external input process signals.

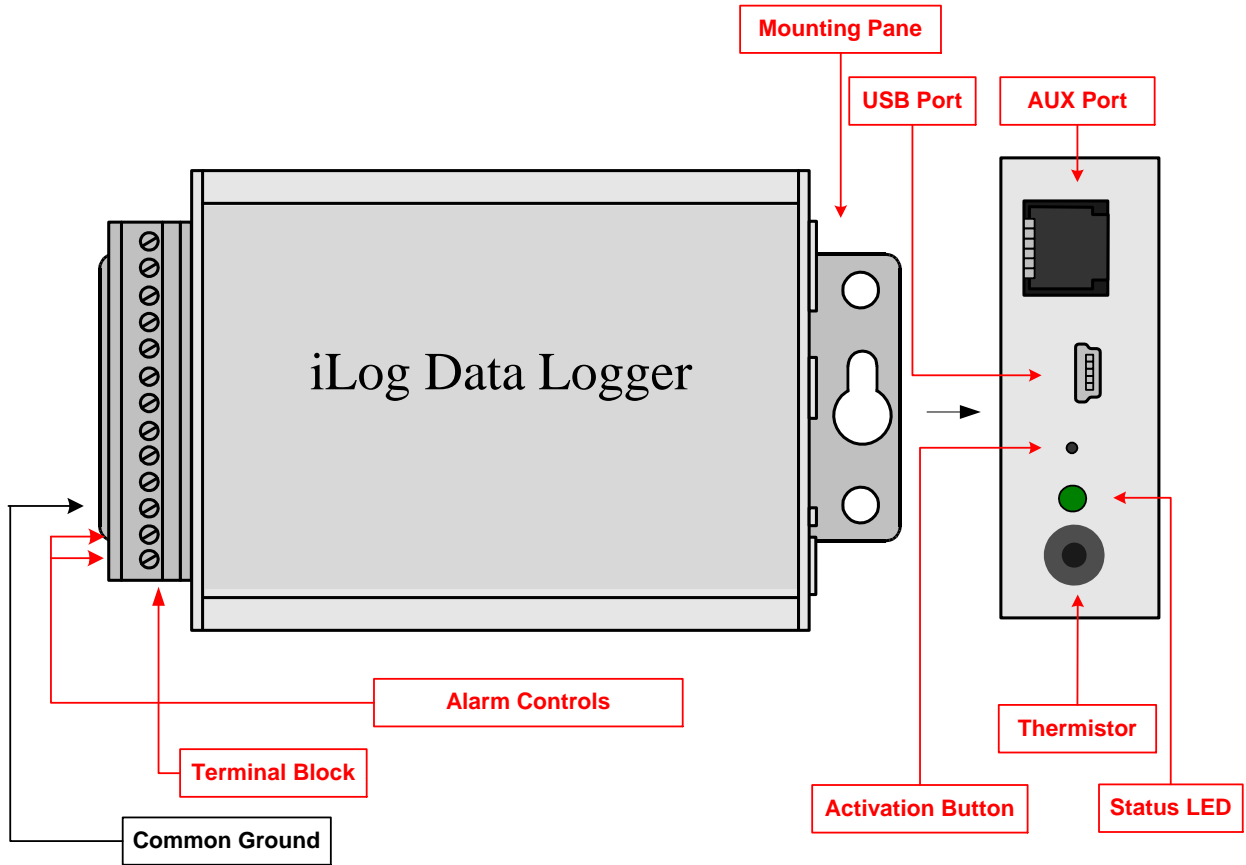
When using other third party external power supplies, please make sure the voltage of the external power supply is +5 VDC (+/- 5% ripple).

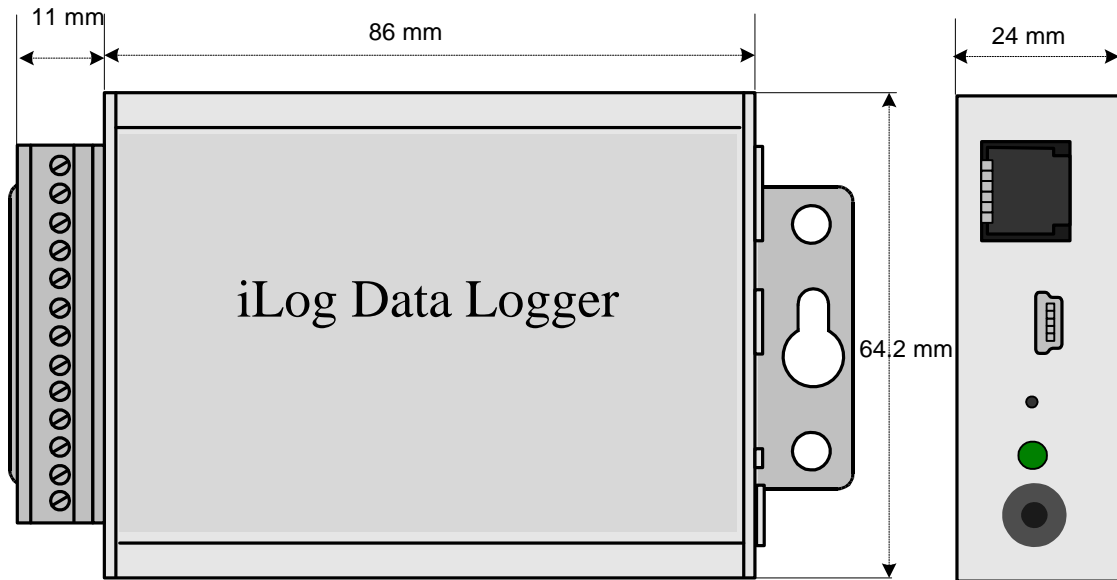
Grounding

The common ground of the iLog data logger is connected directly to the ground of the input process signals and the ground of the external power supply (if applicable).

2. Hardware & Mechanical Dimension

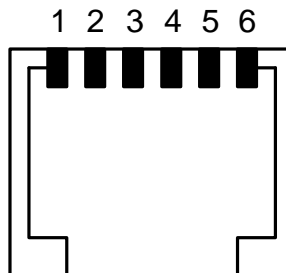
Logger Diagram:





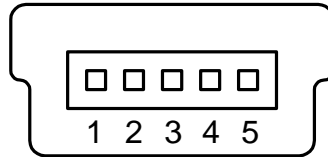
Dimension: 88 X 64.2 X 24 MM
 3.46 X 2.53 X 0.95 Inches

AUX Port Pin-out (Face-In)



- Pin1: Alarm1 (Same as ALARM1 on the terminal block)
- Pin2: External Power Supply (+5 VDC)
- Pin3: Logger Communications Receiver Line (RX)
- Pin4: Logger Communications Transmitter Line (TX)
- Pin5: Common Ground (COM, GND)
- Pin6: Alarm2/Excitation (Same as A2/EXT on the terminal block)

USB Port Pin-out (Face-In)



- Pin1: External Power Supply (+5 VDC)
- Pin2: Logger Communications Receiver Line (RX)
- Pin3: Logger Communications Transmitter Line (TX)
- Pin4: Common Ground (COM , GND)

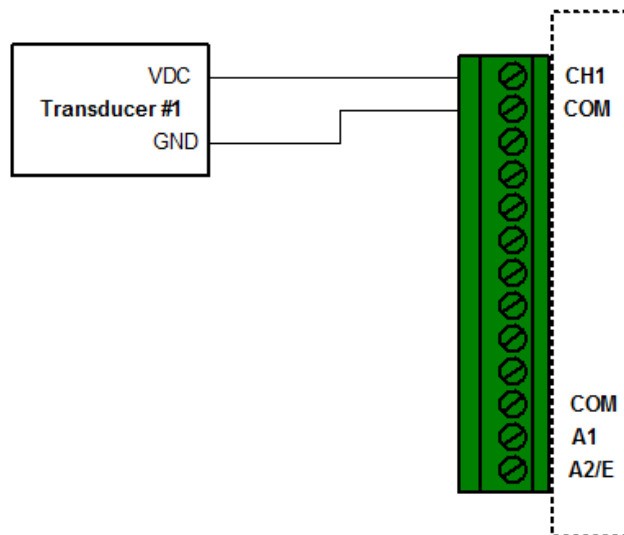
3. Channels and Sensor connections

Most of iLog data loggers have one on-board thermistor located beside the status LED.

All “COM” terminals are connected together and should be connected to the common ground of the process signals.

iLog Voltage Data Logger, Model: iVDC-10

Besides the on-board thermistor channel, the logger has one external voltage DC channel used to measure single-ended voltage DC signal maximum of 10 volt. The following figure illustrates the correct input connections:



Voltage External Input Connections

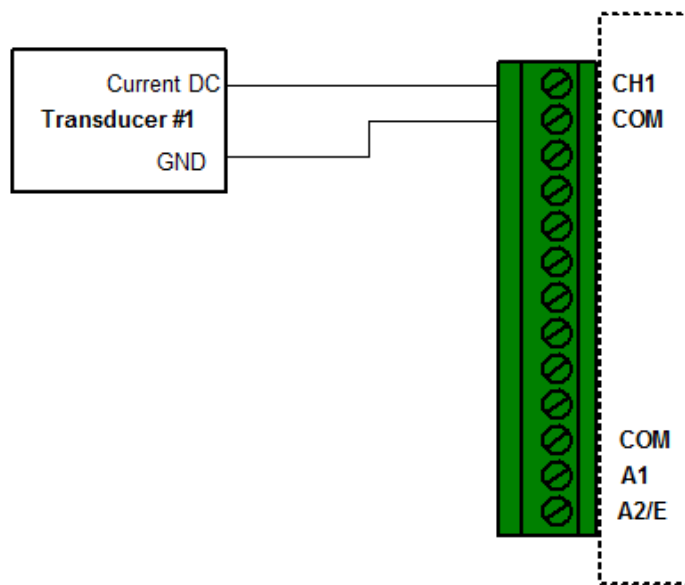
Note: All inputs must share the same common ground.

Channel and Sensor Specifications:

Connections:	Pluggable terminal block for one external channels, excitation controls and alarm outputs
Channels:	CH0: on-board thermistor (-40 ~ +70°C) (-40 to + 158°F). CH1: external 0-10VDC.
Resolution:	0.0018%
Accuracy:	Thermistor channel: $\pm 0.2^{\circ}\text{C}$ (0°C ~ 70°C) Voltage channel: $\pm 0.05\%$ FSR @ 25°C
Input Impedance:	> 1 Mohms
Over-voltage protection:	± 40 VDC

iLog Current Data Logger, Model: iCDC-25

Besides the on-board thermistor channel, the logger has one external current DC channel used to measure single-ended current DC signal maximum of 25 mA. The following figure illustrates the correct input connections:



Current External Input Connections

Note: All inputs must share the same common ground.

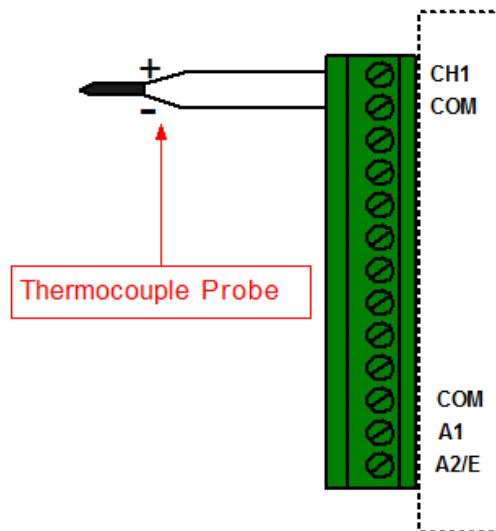
Channel and Sensor Specifications:

Connections:	Plugeable terminal block for one external channels, excitation controls and alarm outputs
---------------------	---

Channels:	CH0: on-board thermistor (-40 ~ +70°C) (-40 to + 158°F). CH1: external 0-25mA current DC
ADC Resolution:	0.0018%
Accuracy:	Thermistor channel: $\pm 0.2^{\circ}\text{C}$ (0°C ~ 70°C) Current channel: $\pm 0.1\%$ FSR @ 25°C
Load Resistance:	12 Ohm
Over-current Protection	± 100 mA

iLog Thermocouple Data Logger, Model: iTC-80

Besides the on-board thermistor channel, the logger has one external voltage DC channel used to measure thermocouple sensor. The following figure illustrates the correct input connections:



Thermocouple Input Connections

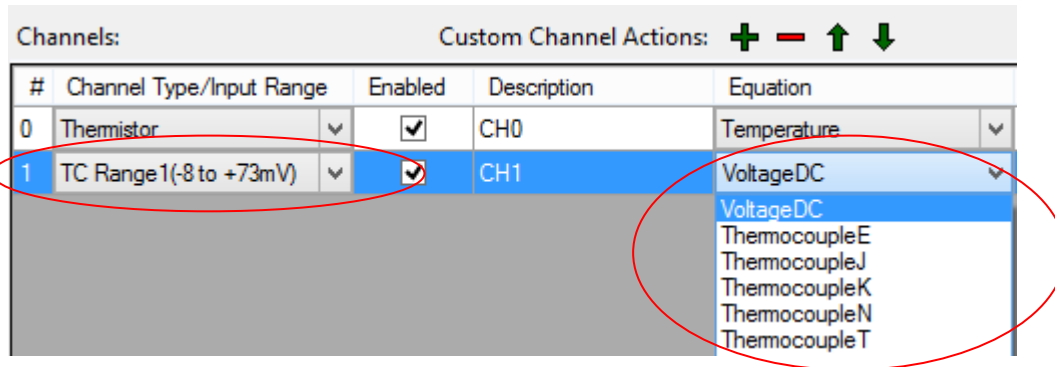
Note: All inputs must share the same common ground.

Channel and Sensor Specifications:

Connections:	Plugeable terminal block for one external channel, excitation controls and alarm outputs
Channels:	CH0: on-board thermistor (-40 ~ +70°C) (-40 to + 158°F). CH1 external Voltage DC with input range: -8 to +73 mV
Resolution:	0.0018%
Accuracy:	Thermistor channel: $\pm 0.2^{\circ}\text{C}$ (0°C ~ 70°C) Voltage channel: $\pm 0.1\%$ (0.08 mV) @ 25°C + T/C Accuracy
Over-voltage protection:	± 20 VDC

Measure Temperature:

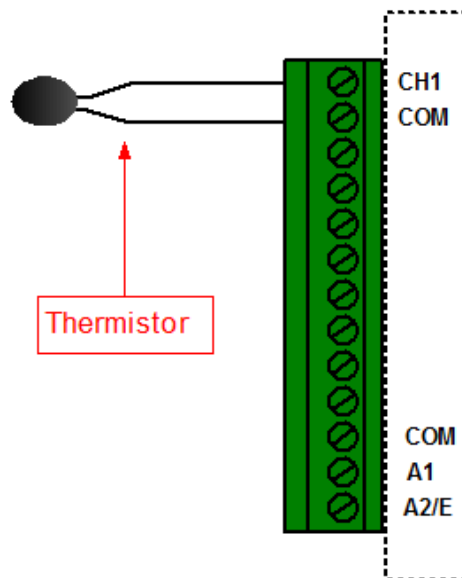
Based on the thermocouple type you want to use and the desired temperature range you want to measure you can select the correct factory thermocouple equation:



For detailed temperature range and voltage – temperature look-up table of a specific thermocouple type please refer to NIST’s website at:
<http://srdata.nist.gov/its90/download/download.html>

iLog Thermistor, Model: iTH-10

Besides the on-board thermistor channel, the logger has one external channel used to measure the external thermistor or resistor. The following figure illustrates the correct input connections:



Thermistor External Input Connections

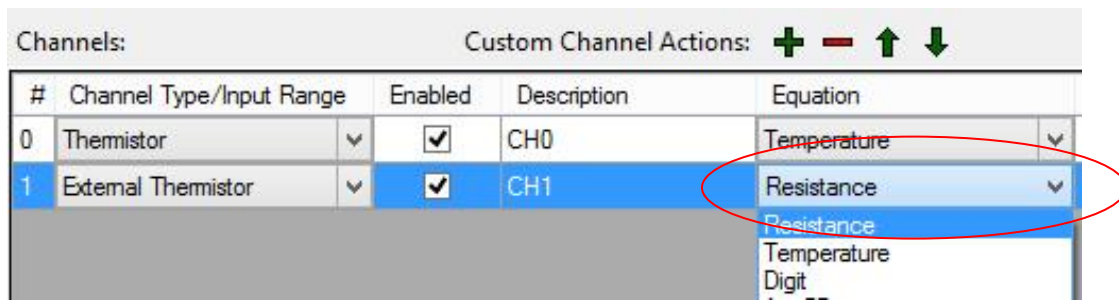
Note: All inputs must share the same common ground.

Channel and Sensor Specifications:

Connections:	Plugeable terminal block for one external channel, excitation controls and alarm outputs
Channels:	CH0: on-board thermistor (-40 ~ +70°C (-40 to + 158°F). CH1 external thermistor/resistor
Resolution:	0.0018%
Accuracy:	Thermistor channel: $\pm 0.2^{\circ}\text{C}$ (0°C ~ 70°C) External channel: $\pm 0.2\%$ FSR @ 25°C

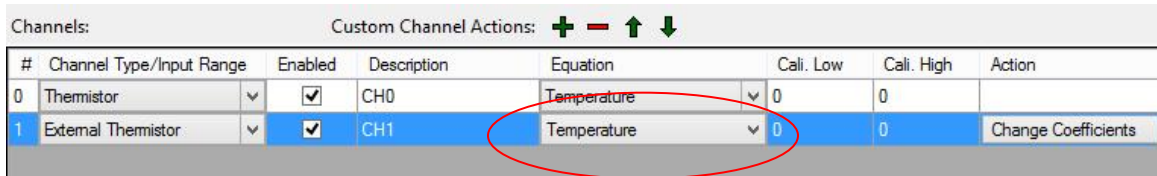
Measure Resistance:

Select “Resistance” equation to measure resistance.

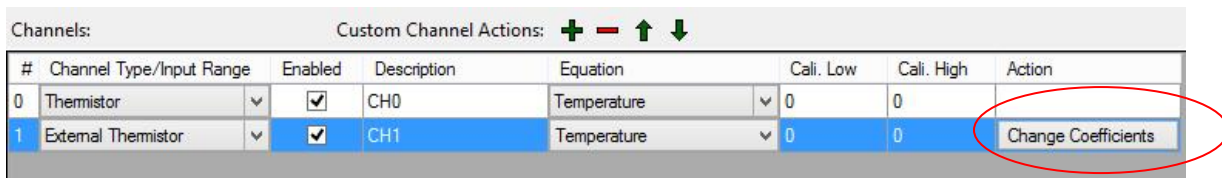


Measure Temperature:

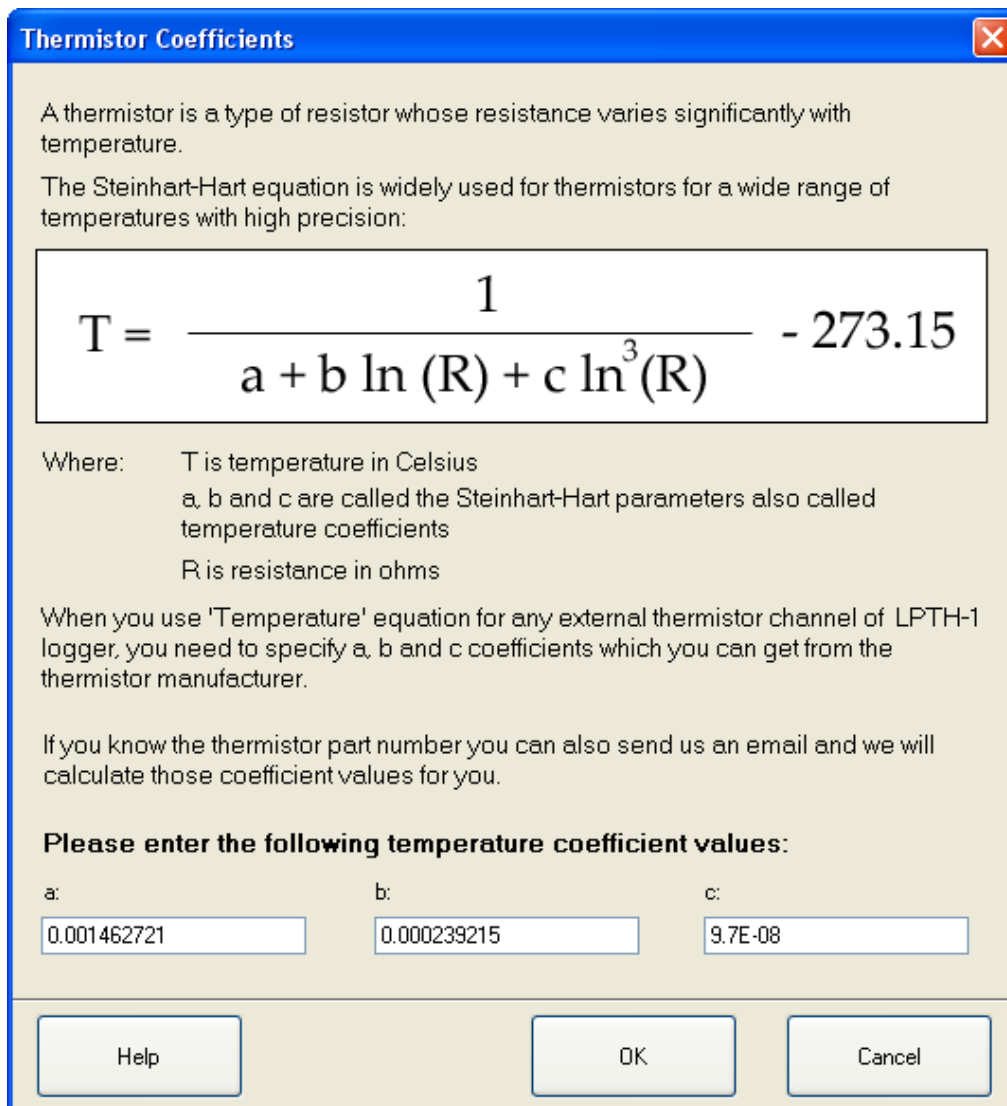
The simple way to measure temperature is by using built-in “Temperature” equation. You select “Temperature” in “Equation” column:



Then you need to change temperature coefficient values by clicking “Change Coefficients” button in “Action” column:



In the pop-up dialog enter new temperature coefficient values and click “OK” button.



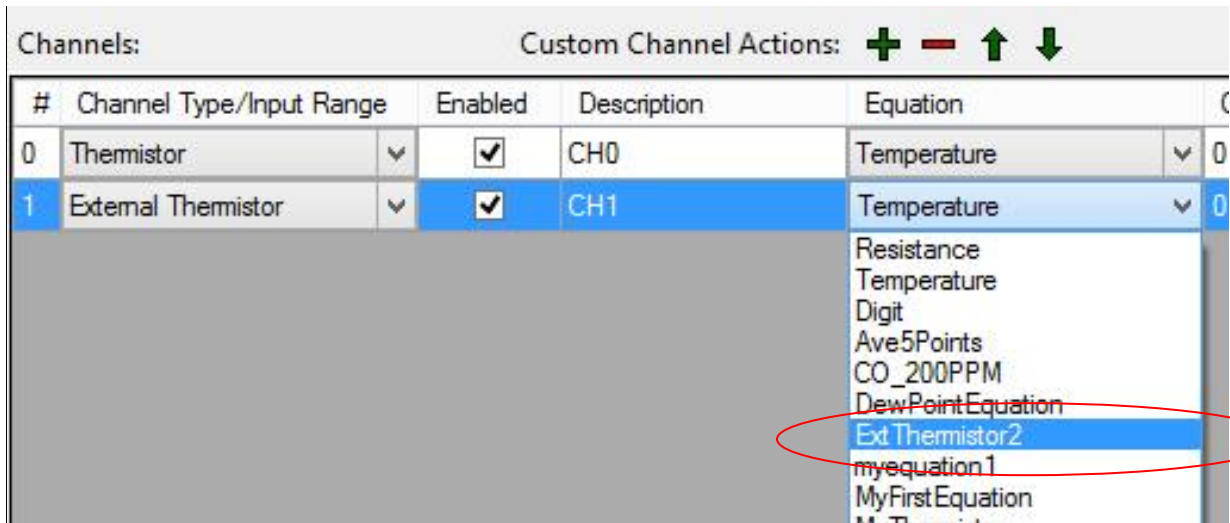
You can also use a custom equation to do the same job or even more complicated calculation. An example of external thermistor equation is included in SiteView package. When you create your own equation you can refer to this equation and replace those temperature coefficients with the ones obtained from the thermistor manufacturer. The contents of the sample equation looks like this:

```

1
2
3 //An example for external thermistor channel.
4 //You may change a,b and c values based on the thermistor spec
5 //Value 'Input' is resistance value
6 public double ExtThermistor2(double Input)
7 {
8
9     double a, b, c, lgr, Output;
10    //different thermistor will have different a, b, c values
11    a = 0.001028444;;
12    b = 0.000239244;
13    c = 0.000000156;
14
15    //validation
16    if(Input <= 0)
17        Input = 1;
18    //=====
19    lgr = Math.Log(Input);
20
21    Output = 1f / (a + b * lgr + c * lgr * lgr * lgr) - 273.15f;
22
23    return Output;
24
25 }
26

```

Once you have created your equation, you can apply it to the channel:



iLog Strain Gauge/Bridge Data Logger, Model: iBG-[X]

iBG logger has one external strain gauge/bridge differential voltage and one excitation sense channel to measure the excitation power supply.

iBG provide seven models for different input ranges:

Model	Input Range
iBG-8	± 8mV
iBG-16	± 16mV
iBG-32	± 32mV

What is a Strain Gauge

A strain gauge (also strain gage) is a device used to measure the strain of an object. The gauge is attached to the object by a suitable adhesive. As the object is deformed, the foil is deformed, causing its electrical resistance to change. This resistance change, usually measured using a Wheatstone bridge, is related to the strain by the quantity known as the gauge factor. The gauge factor GF is defined as:

$$GF = \frac{\Delta R / R_G}{\epsilon}$$

where

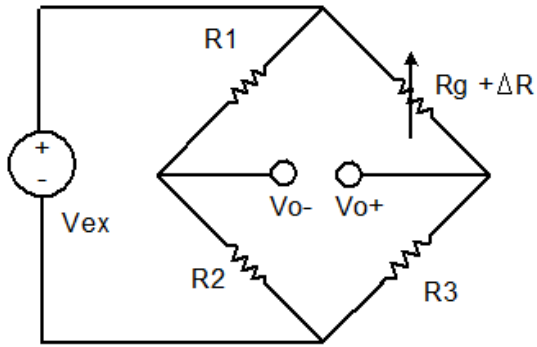
ΔR is the change in resistance caused by strain,
 R_G is the resistance of the undeformed gauge, and
 ϵ is strain.

A Wheatstone bridge is an electrical circuit used to measure an unknown electrical resistance by balancing two legs of a bridge circuit. The Wheatstone bridge consists of four resistances (R1, R2, R3 and R4), an excitation voltage and an output voltage. Generally, one or more of the resistances are variable and change in accordance with some physical phenomenon, such as strain in this case. The Wheatstone bridge then converts this change in resistance to a change in voltage.

There are 3 configurations are used - quarter bridge, half bridge or full bridge.

Quarter Bridge Circuit:

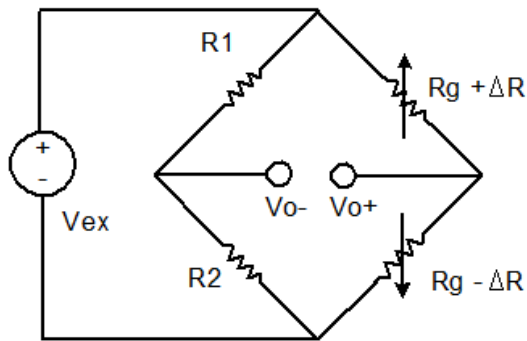
Only one active strain gauge (Rg) is used as shown below. R3 is the inactive gauge, which is identical to the active gauge but does not encounter any mechanical strains and is used for compensating the temperature effect. The other two arms contain fixed resistors.



F1. Quarter Bridge

Half Bridge Circuit:

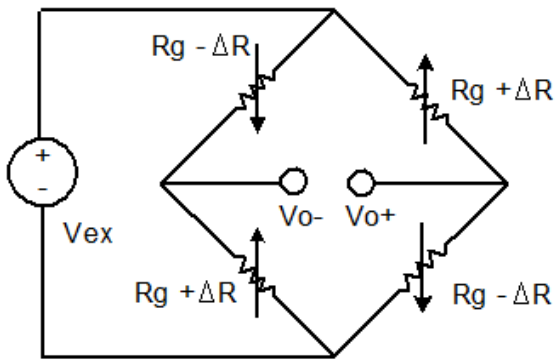
If the dummy gauge in the above figure is replaced by an active gauge, as shown below, the resulting arrangement is called a half bridge. The half bridge has advantages for temperature compensation and higher bridge sensitivity over the quarter bridge so that small strain levels can be detected more accurately.



F2. Half Bridge

Full Bridge Circuit:

If four active gauges are employed in the circuit, the arrangement is called Full Bridge as shown below. It is automatically temperature compensated when all four active gauges bonded on the same material, and the highest sensitivity is obtained.

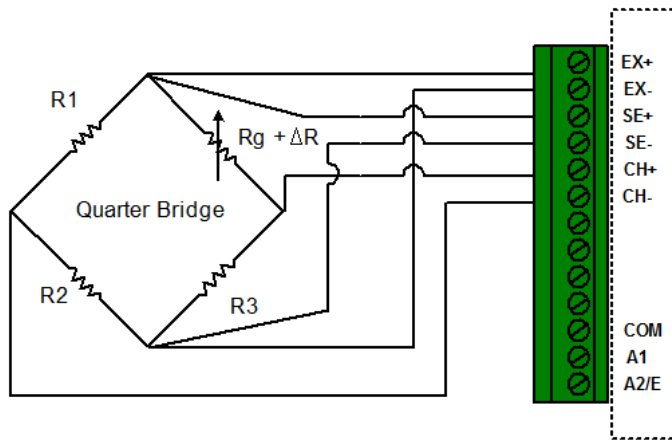


F3. Full Bridge

Connect Strain Gauge to a Data Logger

iLog Srtrain Gauge/Bridge data logger supports six-wire configuration when connecting to a wheatstone bridge circuit. The following wirings are for SiteView built-in Strain Gauge equations:

Wiring for Quarter Bridge Circuit:



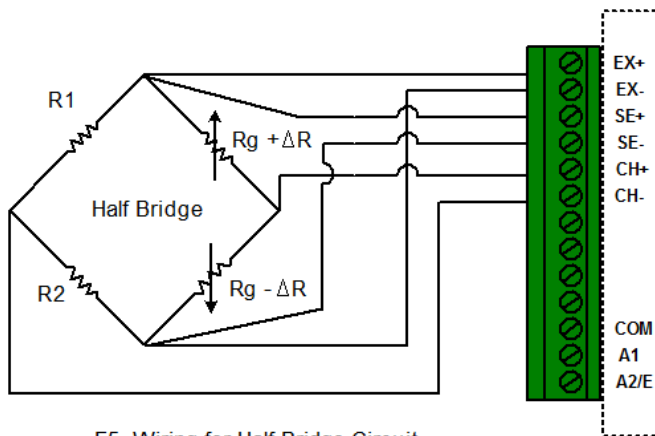
F4. Wiring for Quarter Bridge Circuit

This circuit is for equation “QuarterBridge”. When configure the logger, choose “QuarterBridge” equation and click “Change GF” to change the Gauge Factor.

Channels: Custom Channel Actions: + - ↑ ↓

#	Channel Type/Input Range	Enabled	Description	Equation	Cali. Low	Cali. High	Action
0	SGS_2P5V	<input checked="" type="checkbox"/>	CH0	Voltage-DC	0	0	
1	SG Range1(+/- 8mV)	<input checked="" type="checkbox"/>	CH1	QuarterBridge	0	0	Change GF

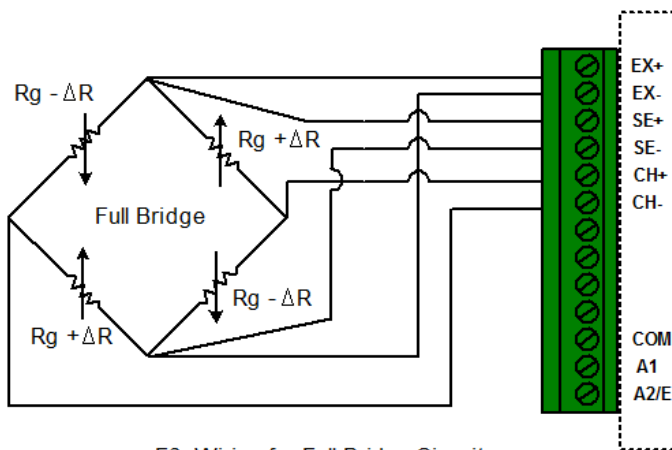
Wiring for Half Bridge Circuit:



F5. Wiring for Half Bridge Circuit

This circuit is for equation “HalfBridge”. When configure the logger, choose “HalfBridge” equation and click “Change GF” to change the Gauge Factor.

Wiring for Full Bridge Circuit:



F6. Wiring for Full Bridge Circuit

This circuit is for equation “FullBridge”. When configure the logger, choose “FullBridge” equation and click “Change GF” to change the Gauge Factor.

Other Bridge Circuit:

If your bridge circuit is not included in the above configurations, you may need to write your own equation. SiteView includes a custom equation “BridgeSample” for your reference. The source code looks like:

```
// Sample Equation for iLog Strain Gauge/Bridge
public double SampleBridge(double Input)
{
    //Change it according to your circuit
    double GF = 1;//Gauge Factor
    //The voltage of the bridge output
```

```

double Vo = Input;
//The voltage of the Excitation sense channel
double Vex = Channels[0].Measurement;

/* this block is for half bridge circuit
double strain = -2 * Vo / (Vex * GF);
return strain;
*/
/* this block is for full bridge circuit
double strain = -Vo / (Vex * GF);
return strain;
*/
/* this block is for quarter bridge circuit */
double strain = -4 * Vo / ((2 * Vo + Vex) * GF);
return strain;

}

```

Channel and Sensor Specifications:

Connections:	Pluggable terminal block for one external channels, excitation controls and alarm outputs
Channels:	CH0: on-board thermistor (-40 ~ +70°C) (-40 to + 158°F). CH1: external 0-10VDC.
Resolution:	0.0018%
Accuracy:	Thermistor channel: $\pm 0.2^{\circ}\text{C}$ (0°C ~ 70°C) Voltage channel: $\pm 0.05\%$ FSR @ 25°C
Input Impedance:	> 1 Mohms
Over-voltage protection:	± 40 VDC

4 Basic Functions

Built-In Equations

Equation and Channel Type are two essential parameters to make sure the physical measurement can be converted correctly.

An equation is a software functionality identified by its name of up to 16 characters. A built-in equation is an equation provided by SiteView software to convert a measurement for a specific channel type.

A channel must have an equation assigned to it in order to make the measurement conversion.

“Digit” built-in equation can be assigned to any channel type. If you assign “Digit” equation to a channel the physical measurement will be the original digital value measured by ADC (Analog-to-digital converter) hardware.

The following table lists all available built-in equations for all channel types:

Channel Type	Equation Name	Equation Description
Internal-Thermistor	Temperature	Temperature
External-Thermistor	Temperature	Temperature
0-10 VDC	VoltageDC	Voltage DC
25 mA DC	CurrentDC	Current DC
Thermocouple Range1: -8 to +73 mV	ThermocoupleE ThermocoupleJ ThermocoupleK ThermocoupleN ThermocoupleT VoltageDC	Thermocouple E Thermocouple J Thermocouple K Thermocouple N Thermocouple T Voltage DC
Thermistor	Temperature Resistance	Default external thermistor type. Any resistor with range bigger than 1 Kohm

Measuring & Logging

During the session of logging, when it’s time to sample, iLog data logger measures the signal of each enabled channel, converts it to digital value and saves to the on-board memory.

iLog data logger uses a group of preset parameters to decide when and how to take in data and save it to the memory. Those parameters can be configured by SiteView software and their definitions are given as below:

Start Time:

This parameter specifies the date and time when the logger starts the session of logging.

End Time:

This parameter specifies the date and time when the logger will stop the session of logging. This value may be overridden by **Logging Mode** parameter. . If **Logging Mode** was set to **Continue Logging**, the **Start Time** and the **End Time** will be shifted forward.

Sampling Interval:

This parameter specifies the time span the logger will wait after it takes the first sample and before it takes the second sample.

If the logger is configured with a sampling interval of 4 seconds or faster, it will operate in fast sampling mode. When a logger is in fast sampling mode, it has the following conditions:

1. The logger needs external power supply (supplied by USB or AUX port) for the logging period.
2. Any communications with the logger will interrupt its operation and stop the recording.
3. The number of enabled channels depends on the sampling intervals:
 - 1 channel with 20 ms interval
 - 2 channels with 30 ms interval

Logging Mode:

This parameter specifies if the logger will stop or continue logging when the memory is full. Available settings are **Stop Logging** and **Continue Logging**.

If **Logging Mode** was set to **Stop Logging**, the logger will stop logging at the **End Time**. If **Logging Mode** was set to **Continue Logging**, the logger will continue logging and the oldest data will be overwritten by the new data.

Downloading Data

The data in the logger can be transferred to the computer by SiteView software. If the logger is not in **Fast Sampling** mode, the data can be downloaded any time even when the logger is still recording. If the logger is in **Fast Sampling** mode, downloading the data will make the logger stop logging at the time when it received the downloading command.

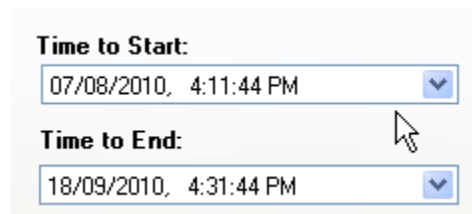
The readings saved in the logger are ADC digital values, and will be converted to physical measurements by SiteView software after they are downloaded to the computer. The data conversion is handled by an equation that may be embedded in SiteView software or a script provided by the user.

Field Activation

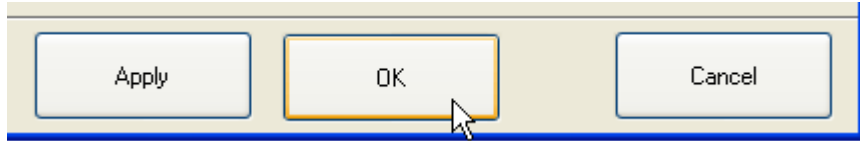
iLog data logger comes with an on-board activation button which can be used to activate/initiate the logging session in the field.

To activate the logger for new session:

1. With the SiteView software, open the configuration dialog of the logger, and set the start time to any time the desired start time will never reaches. Click **OK** button to save new settings to the logger.



The screenshot shows a configuration dialog with two time selection fields. The first field is labeled 'Time to Start:' and contains the text '07/08/2010, 4:11:44 PM' with a dropdown arrow on the right. The second field is labeled 'Time to End:' and contains the text '18/09/2010, 4:31:44 PM' with a dropdown arrow on the right. A mouse cursor is pointing at the 'Time to End:' field.



2. The logger is now in **Start Delay** mode. When you need to activate the logger, press and hold the Activation button on the logger. When you see the status LED starts to flash release the button. The logger is now activated and is recording data.



Field Activation

Note: The activation button cannot be further activated once the logger has started the new session.

Reset Device

The on-board activation button can also be used as a reset button in case the data logger does not respond to the PC communications.

Reset of CPU will cause the data and clock losses. Please reconfigure the logger after the recovery.

To reset the CPU, press and hold the activation button, the LED starts to blink in RED color with interval of one second. After 10 seconds the LED starts quick blinking to indicate it will reset the CPU. Release the button when you see this. Then plug the logger to USB port of PC, Site View should show it under the USB comm Tab.

Status LED

iLog logger has an on-board LED used to indicate:

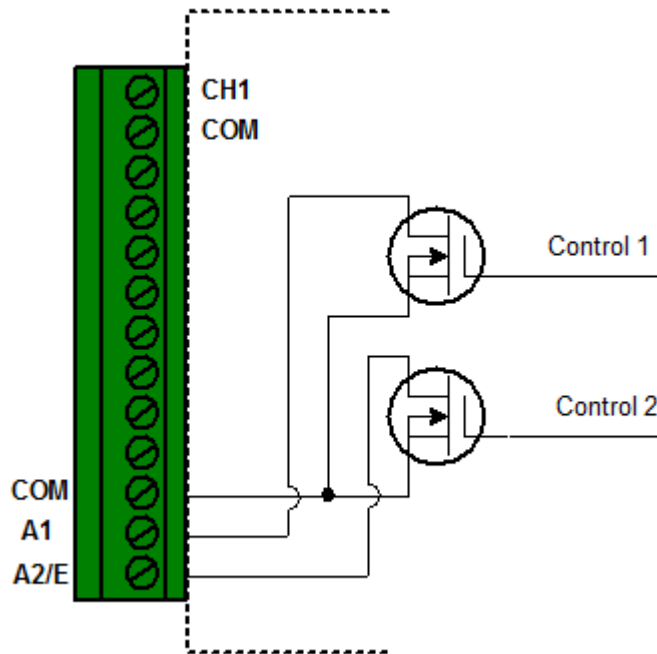
1. Sampling:
When the LED was enabled by SiteView, it will flash once in green when the logger is sampling. The colour of the LED can be overridden by the following conditions:
2. Alarms:
The LED will flash amber when it samples if any channel alarms are enabled and are triggered.
3. Low Battery:
The LED will flash in red when it samples if the logger detects a low battery level.

If you do not need the LED to indicate the status of operation you can disable it (via SiteView) in order to increase the battery life.

Alarm1 & A2/EXT Terminals

Alarm1 and A2/EXT terminals internally connect to the on-board N-channel MOSFET switches. They can be used to control an external power supply to turn on/off devices like lamp, strobe light or siren, or coil relays. The maximum power the switches can supply is 200mA @ 24VDC.

The internal schematics of the switches are as follows:



Alarm1 and A2/EXT can be associated with alarm state and/or excitation control. Please refer to Alarm Output and Excitation Control for details.

Alarm Output

The logger will be in a state of alarm if **ALL** of the following conditions are met:

1. Channel alarms are enabled.
2. The logger is logging the data.
3. Current sampled reading is beyond low or high alarm thresholds.
4. Alarm-On Delay counter has moved down to zero.

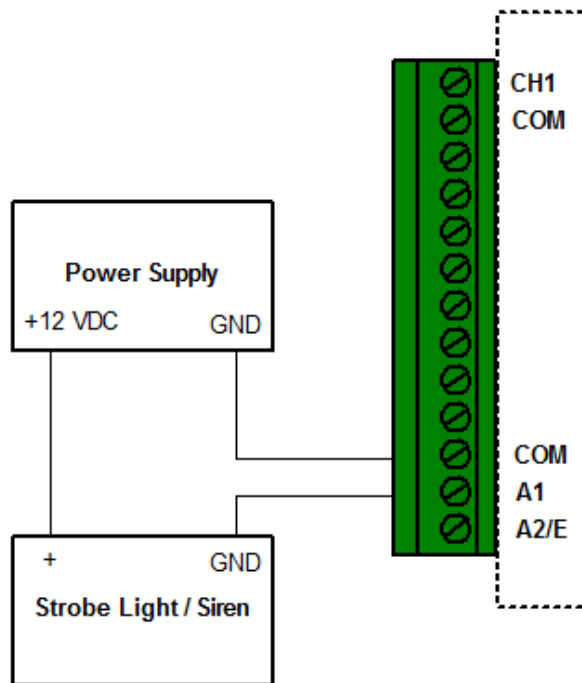
When the logger is in alarm state, Alarm1 and/or A2/E terminal strips can be configured by SiteView to be activated certain time after an alarm was triggered. The delay time selections are: 0, 1, 2, 3, 4, 5, 6, 7, 8, 9, 10 minutes.

The following alarm output combinations can be set by SiteView:

Alarm1 & A2/E Options	Description
Disable any output -> Alarm1 and A2/EXT	No output connects to Alarm1 and A2/E terminals.
High alarm -> A2/EXT only	High-alarm state controls A2/EXT terminal.
Low alarm -> Alarm1 only	Low-alarm state controls Alarm1 terminal.
High alarm -> A2/EXT and low alarm -> Alarm1	High-alarm state controls A2/EXT

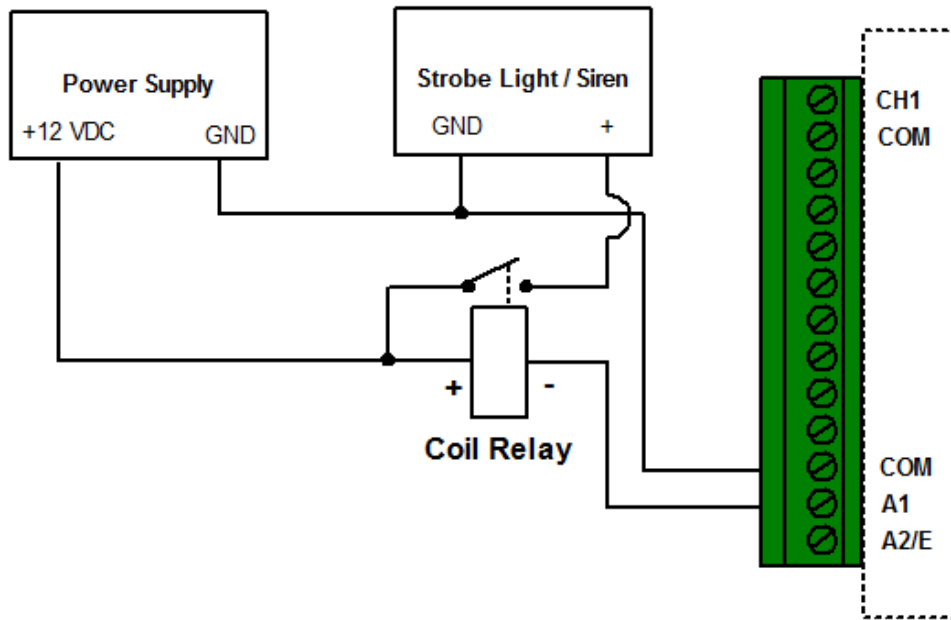
	terminal and low-alarm state controls A1 terminal.
High alarm and low alarm -> Alarm1	Both high and low alarm states control A1 terminal.
Excitation control -> A2/EXT	Excitation controls A2/EXT terminal.
Excitation control -> A2/EXT and both alarms -> Alarm1	Excitation controls A2/EXT and both high and low alarm states control Alarm1 terminal.
Excitation control -> A2/EXT and low alarm -> Alarm1	Excitation controls A2/EXT terminal and low alarm state controls Alarm1 terminal.
Excitation control -> A2/EXT and high alarm -> Alarm1	Excitation controls A2/EXT terminal and high alarm state controls Alarm1 terminal.

The following schematics illustrate the physical connections required to control and drive an external device by the alarm output:



Alarm1 is used as switch to turn on/off siren based on alarm state.

If the alarm device needs more power to drive, A1 provides control signal to drive a coil relay as follows:



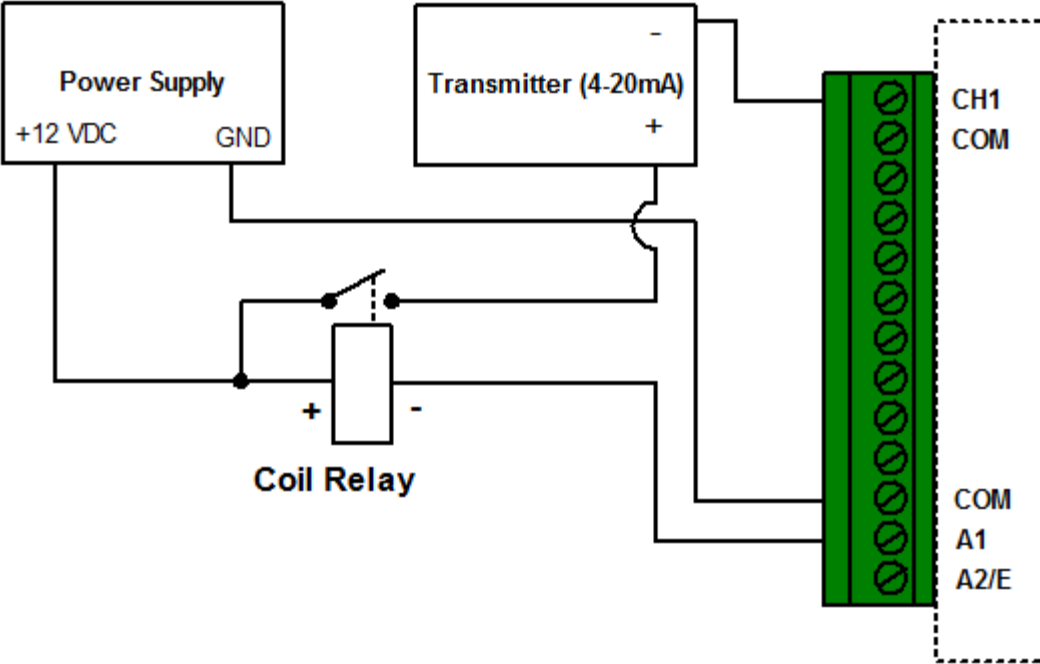
Alarm1 is used as switch of the power supply.

Excitation Output

Excitation output is used when you need to save the electric power of the device that provides the signal source to the data logger. When there is no local power available and a battery pack is used to power the transducer, excitation control greatly reduces power consumption. It turns on the transducer only when it samples the data and turns off the transducer after the sampling.

A2/EXT on the terminal strips can be configured by SiteView software for excitation output purpose.

The following schematics illustrate the physical connections required to switch on/off an external battery pack for a 2-wire current loop transmitter:



5. Software

SiteView Windows software is used to communicate with the iLog data logger for data downloading, logging management, and channel range configuration.

This section outlines basic functions that SiteView offers. For complete instructions on how to use SiteView software please refer to **SiteView User's Manual** available for download online.

System Requirements

Computer:

- CPU: 1.0 GHZ or above
- Memory: 256M or above
- Port: 1 USB port or 1 COM port
- Hard Drive: 1GB or above

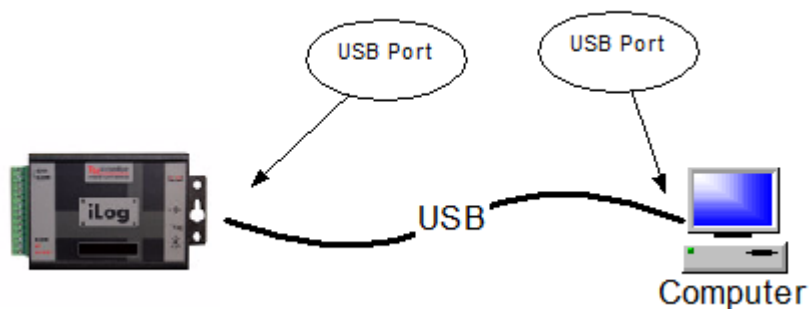
Operating System:

- Window XP with SP2 or above, Window Vista, Window 7

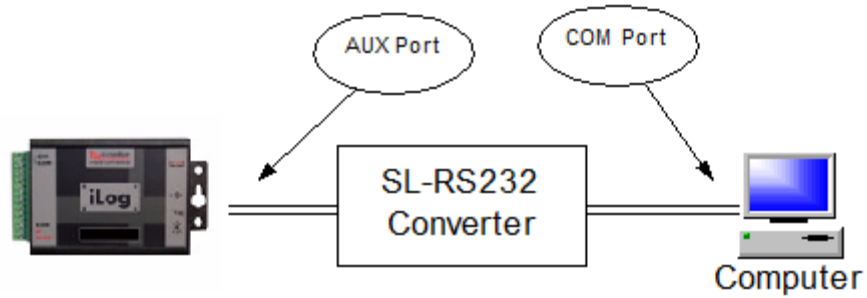
Communications Interfaces

The iLog logger has both TTL-compatible serial port and USB interface. It can communicate with host device via either USB or serial port.

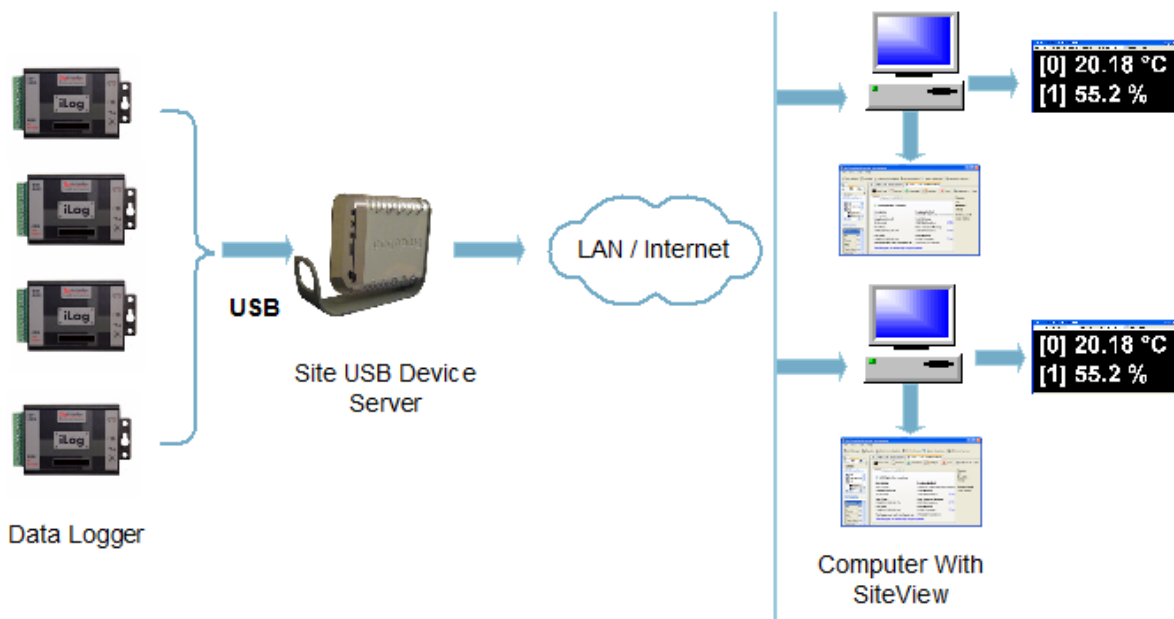
The following schematics illustrate different options that SiteView software can communicate with a data logger.



USB Connection



Serial Port Connection

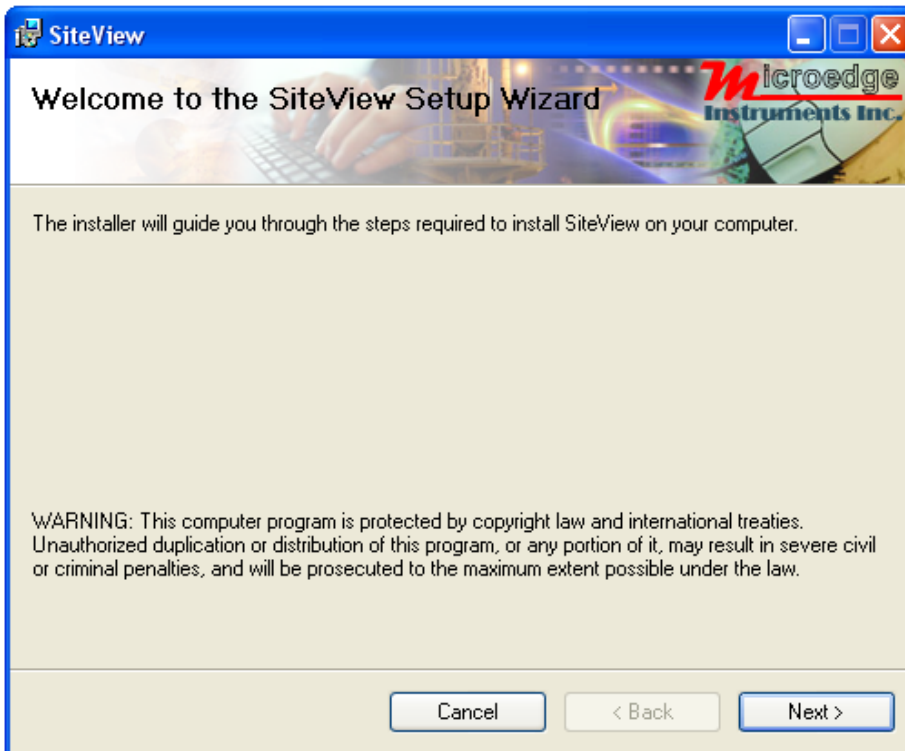


Ethernet Connection (with Site USB Device Server)

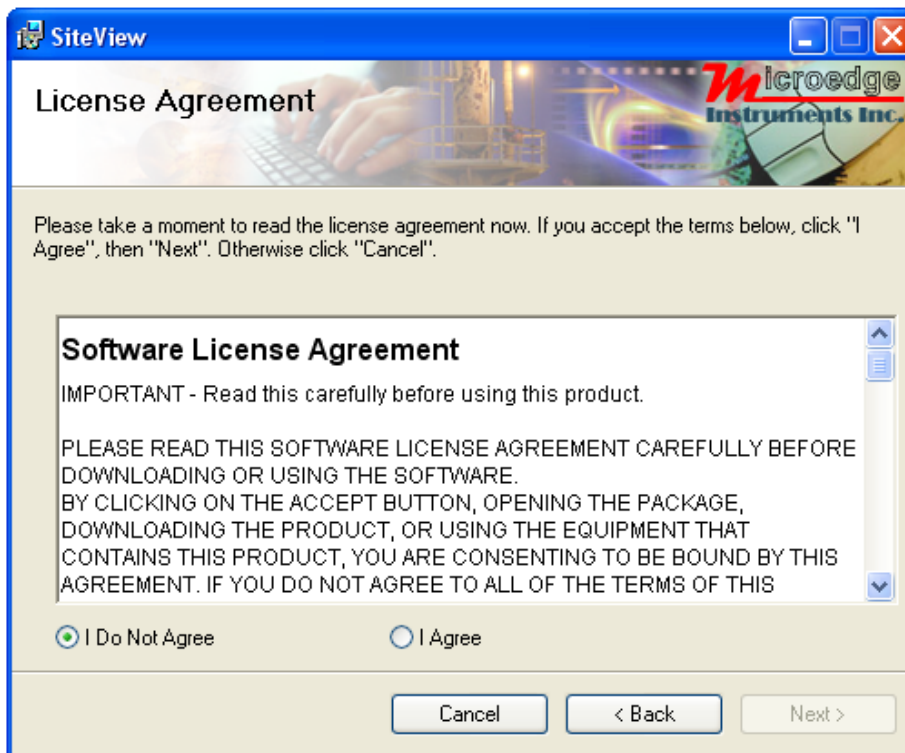
Install SiteView and USB Driver

1. Install SiteView.

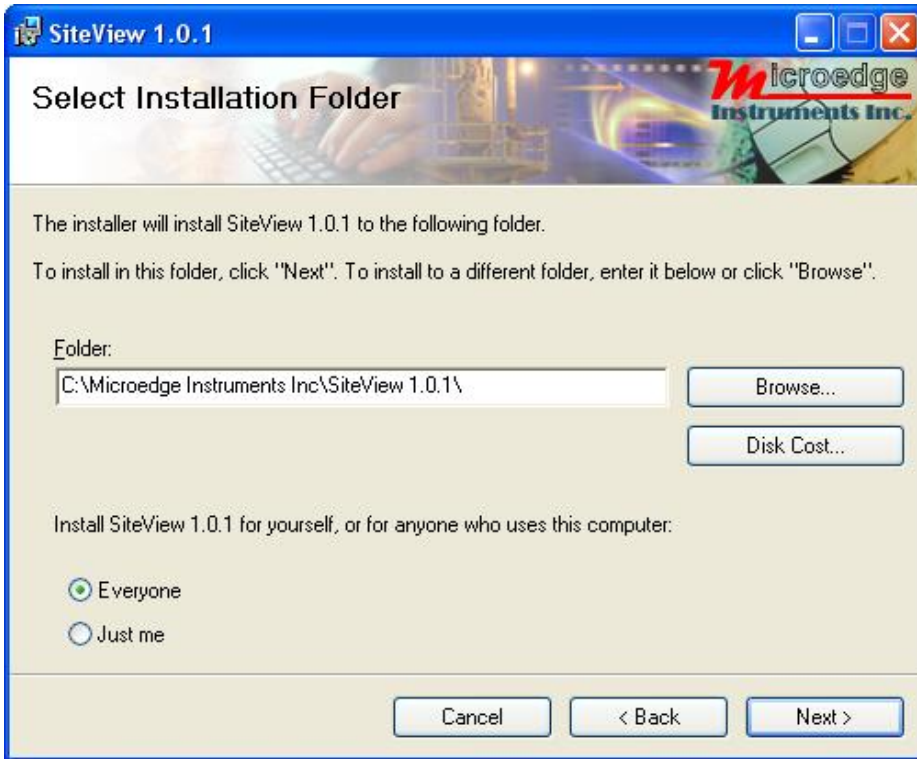
Insert the included CD to the CD Drive. The installation should start to run automatically. Follow the on-screen instructions to complete the installation.



Click "Next >" button to proceed to the next page.

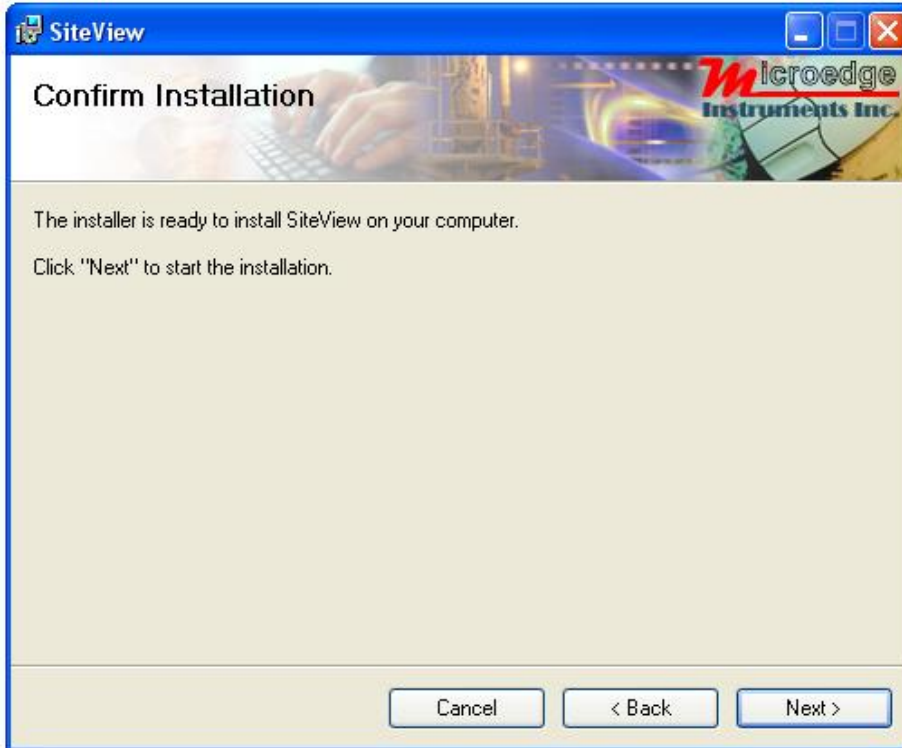


Please read the License Agreement carefully. If you accept the terms click “I Agree”, then click “Next >” button. Otherwise click “Cancel” to cancel the installation.

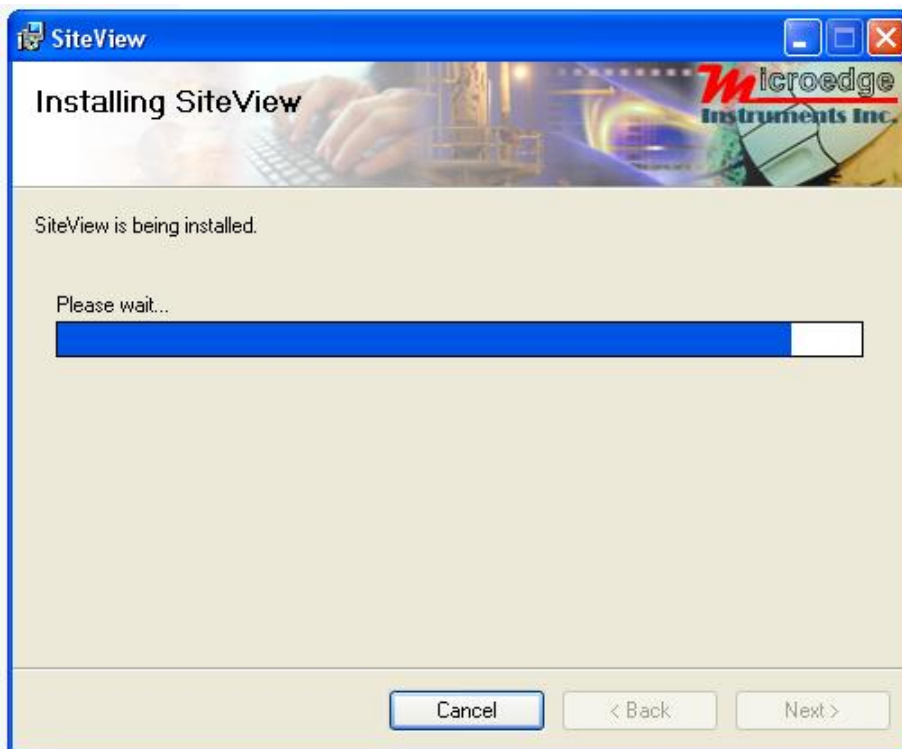


In this dialog select a destination folder where SiteView will be installed. We recommend you keep the default folder.

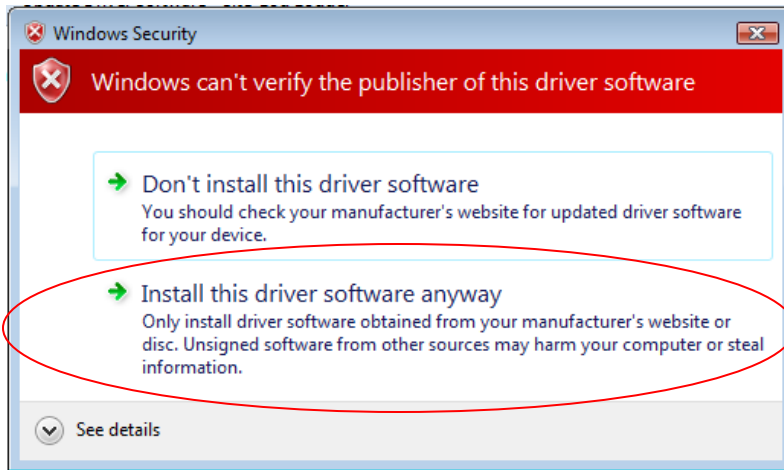
Once you are ready, click “Next >” button to proceed to the next page.



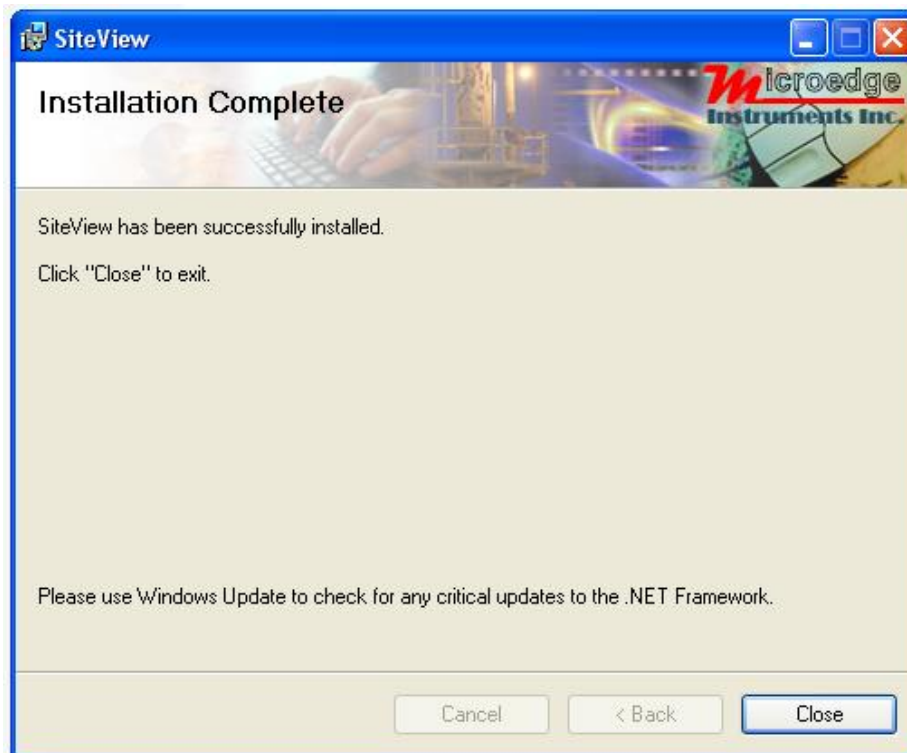
This confirmation page gives you the chance to modify previously selected options. Click “Next >” button to start the installation.



Depending on the operating system, you may see the dialog similar to the one below displayed. Please select “**Continue Anyway**” or “**Install this driver software anyway**” to allow the software and the driver to be installed.



As SiteView is being installed the above dialog shows the installation progress by percentage. Once the installation is complete, the below dialog appears:



Click “Close” button to finish the installation and close the dialog.

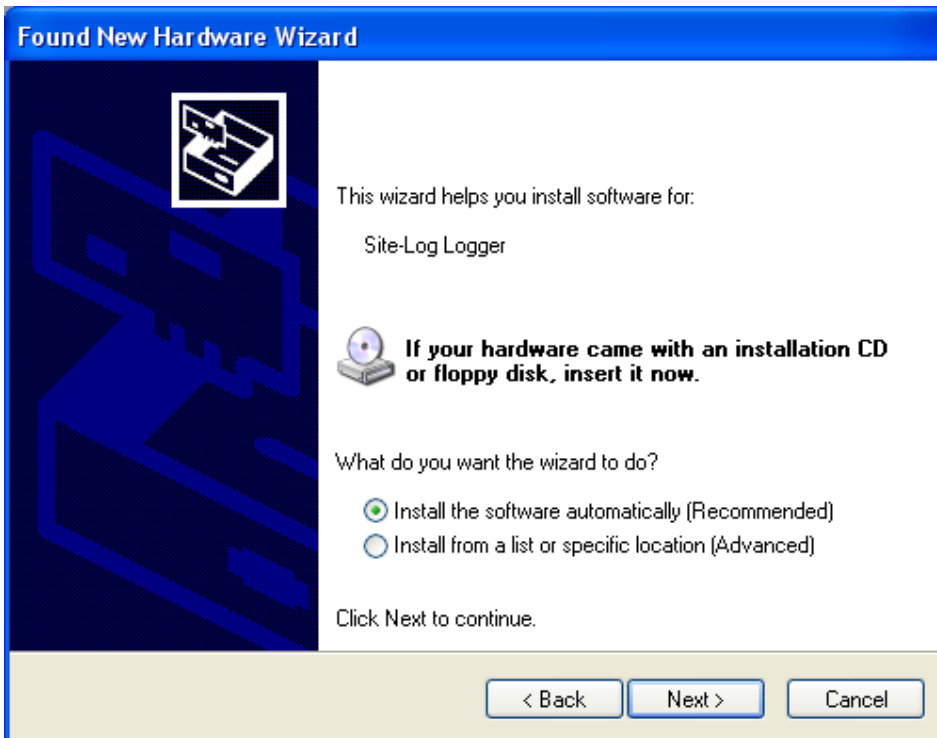
Connect Data Logger

Connect the logger to the computer's USB port. Windows Vista and Windows 7 will automatically recognize the data logger.

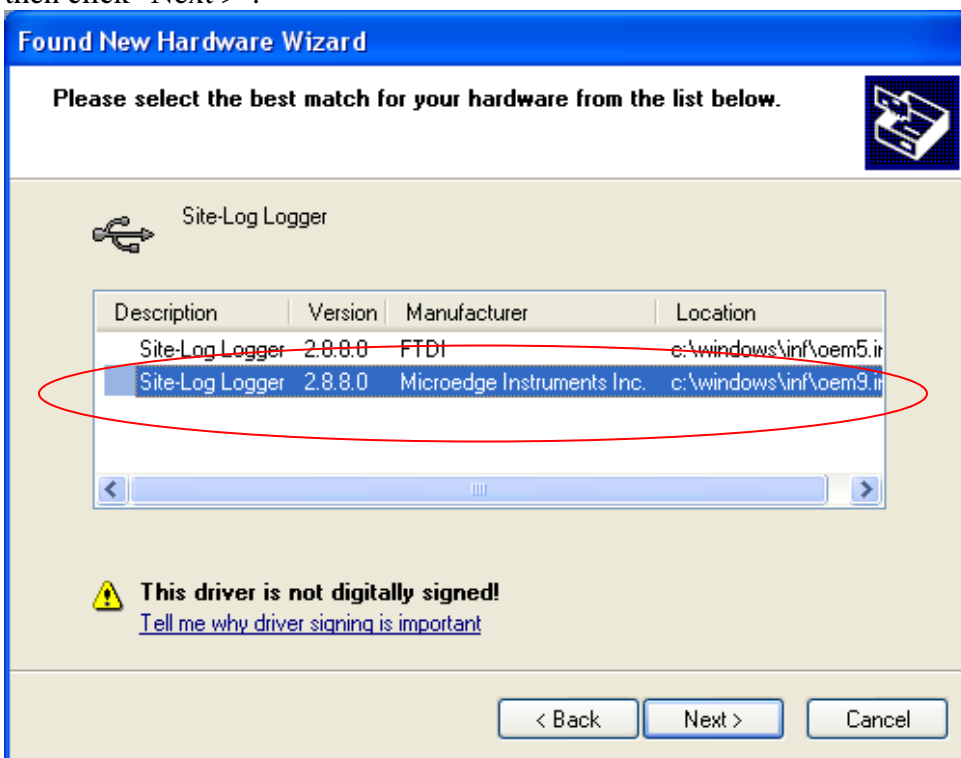
For Windows XP user, the following dialog window will appear:



Select "No, not this time" from options available and then Click "Next >" to proceed with the installation.



Select "Install the software automatically (Recommended)" as shown in the above figure and then click "Next >".

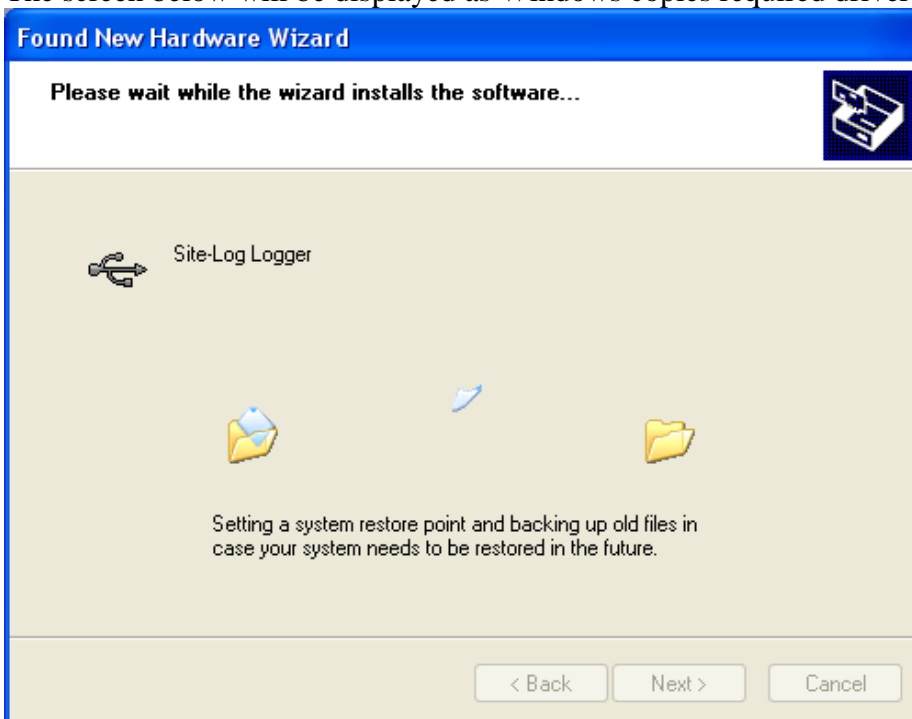


Select the item with Manufacturer of Microedge Instruments Inc and click "Next>" to proceed.

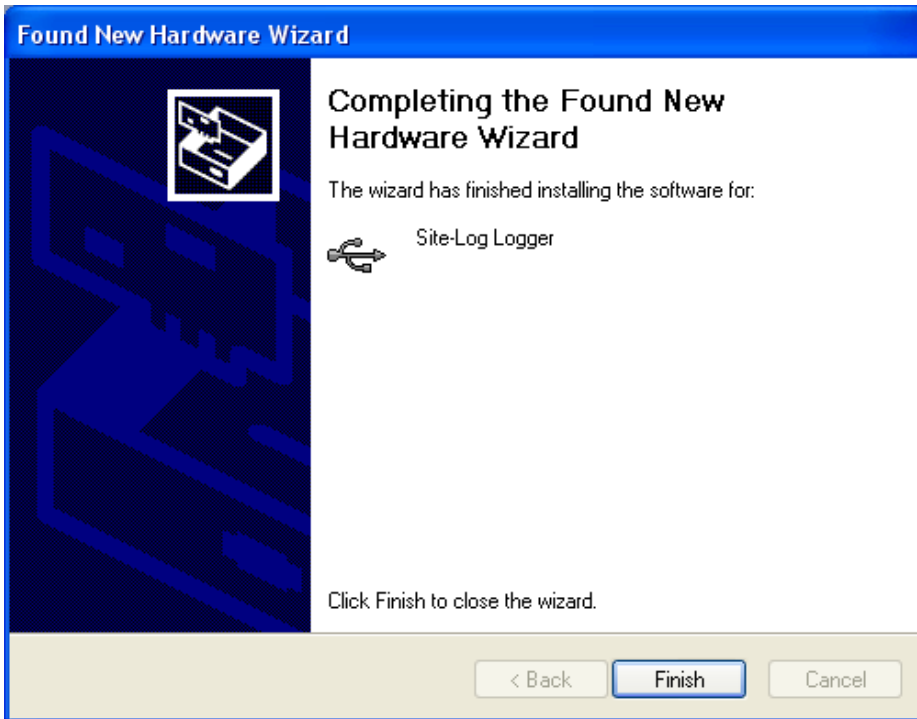
In the following message dialog, click "Continue Anyway" to continue with the installation:



The screen below will be displayed as Windows copies required driver files:



Windows should then display a message indicating the installation was successful:



Activate SiteView

After the installation SiteView needs to be activated by entering Product Key you obtained when you bought SiteView.

If the above installation of SiteView was successful, SiteView can be launched by either one of the following methods:

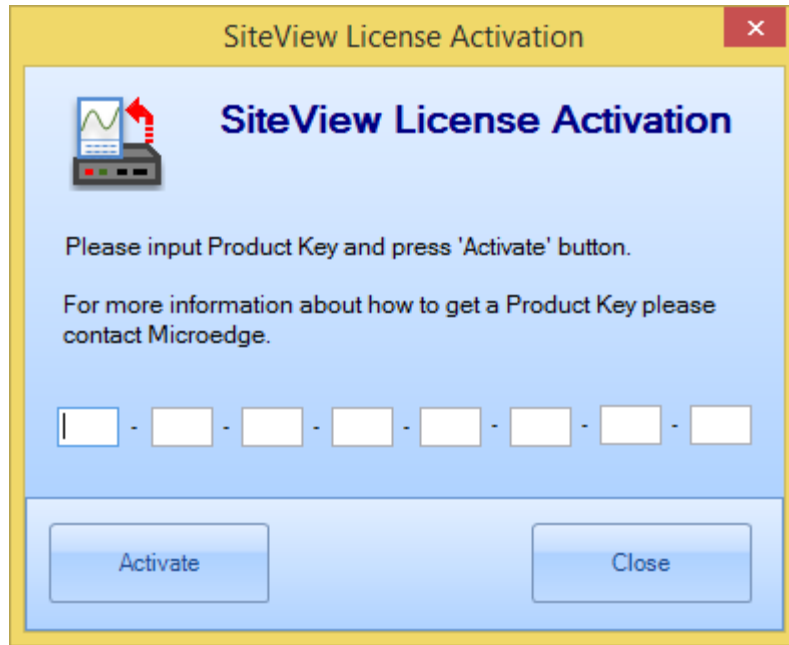
Double click on SiteView icon on the desktop:



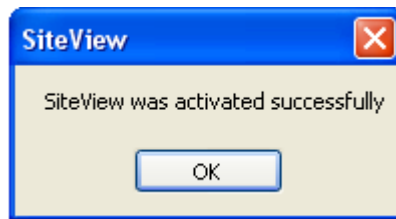
Or:

Using Windows Start Menu, select Start : All Programs: Microedge Instruments Inc.: SiteView.

Double click “SiteView” icon on the desktop, and the following dialog appears:

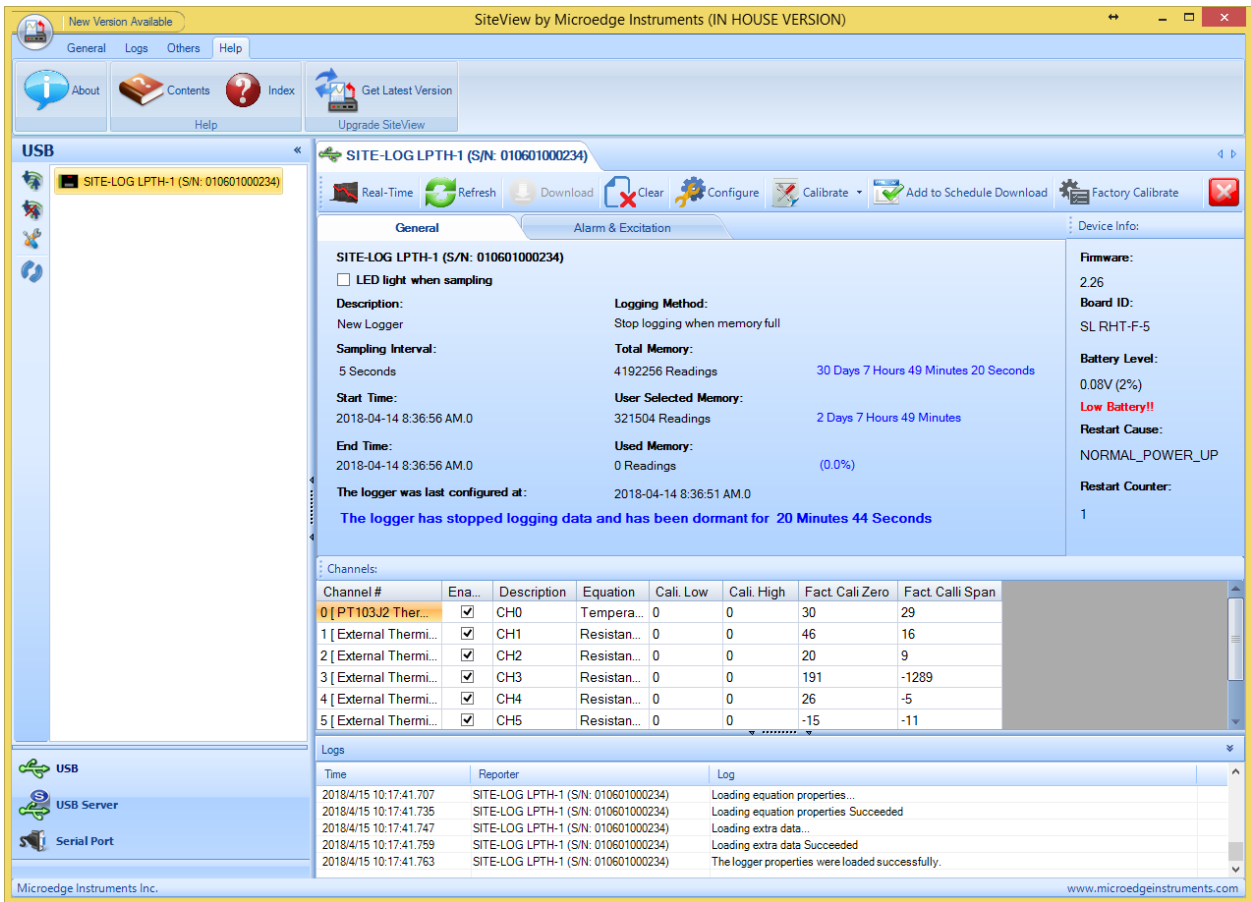


Enter the Product Key, then click the **Activate** button. If the Product Key is accepted the following confirmation dialog will appear:



Click **OK** button to finish the activation. From now you can start using SiteView.

Main Window Frame



Communication Panel

The communication Panel contains USB, USB Device Server, Serial Port and Serial Device Server communication tabs that are used to deal with the respective physical logger connections to the computer. For instance, if the logger is connected to the computer via a USB port you need to use USB tab to communicate with the logger.

Menu Bar

The Menu Bar contains File, View, Tools, and Help menus and their respective sub menus that are used to complete various tasks.

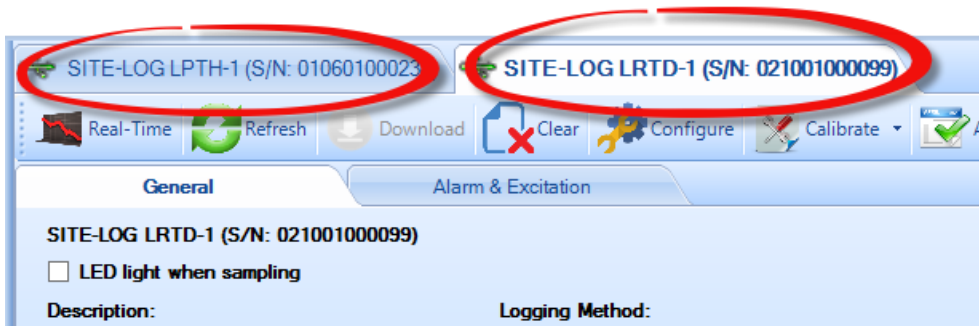
Tool Bar

The Tool Bar provides an easy way to access the menu items by including some of the frequently used items on the tool bar as the tool bar buttons.

Main Working Panel

The Main Working Panel contains a series Tab pages for logger status and the graph information illustrated as the follows:

Click on each tab page caption to view the



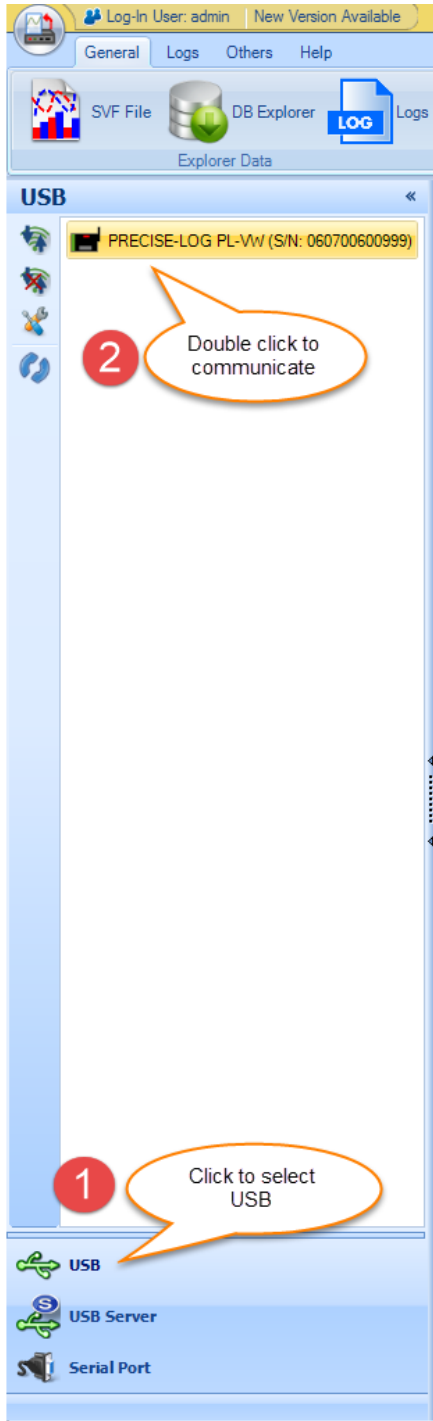
Information Log Panel

This section shows the information logs for any activities SiteView does. This is for diagnostics and information purposes.

View Logger Status

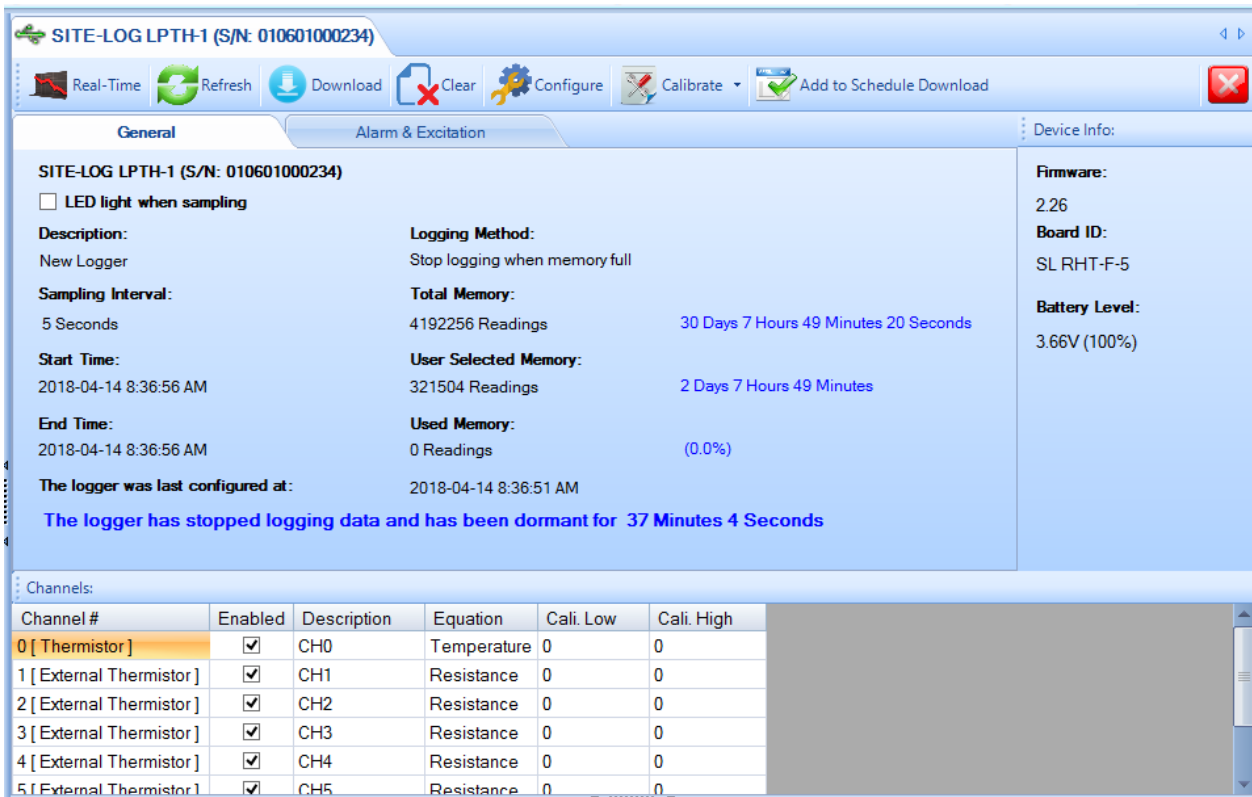
This manual will use USB as an example of communications interface. For other communications interfaces please refer to **SiteView User's Manual** available for download online.

If the logger is connected to the computer correctly the logger icon should show in USB tab of the communication panel illustrated below:



Double clicking **iLog Logger** icon or clicking “Contact” button with the icon been highlighted will bring up the logger status page.

The status page shows the start and end time, sampling interval and other properties of the connected logger:

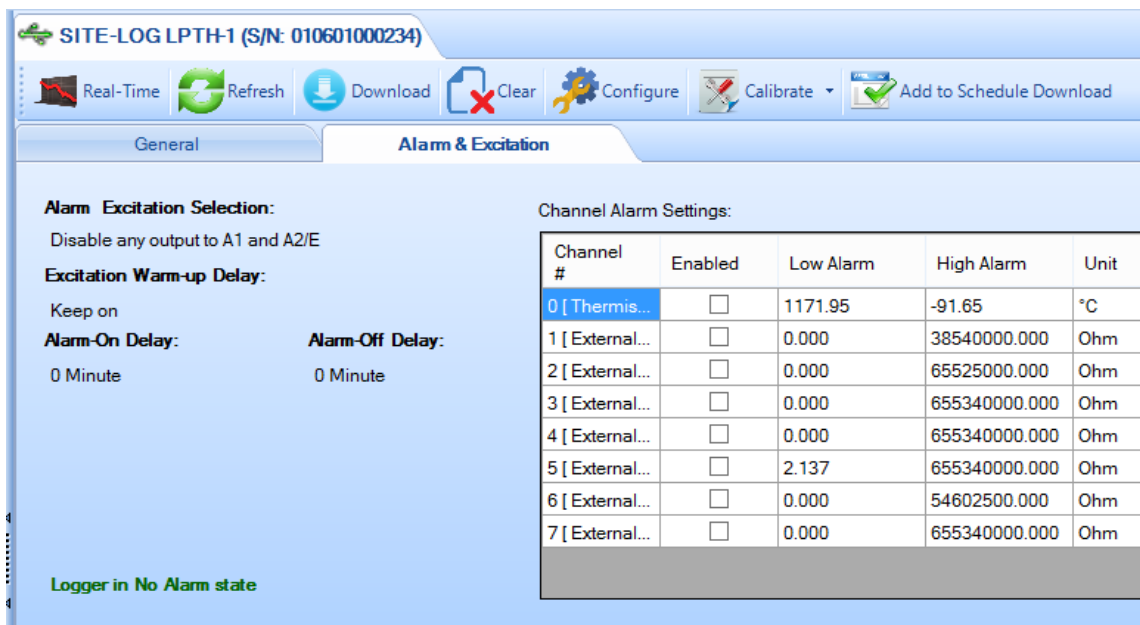


General

This sub tab page displays the general properties of the logger.

Alarm & Excitation

This sub tab page displays the properties regarding the alarm and excitation. By clicking the “Alarm & Excitation” tab page caption, the following page will appear:

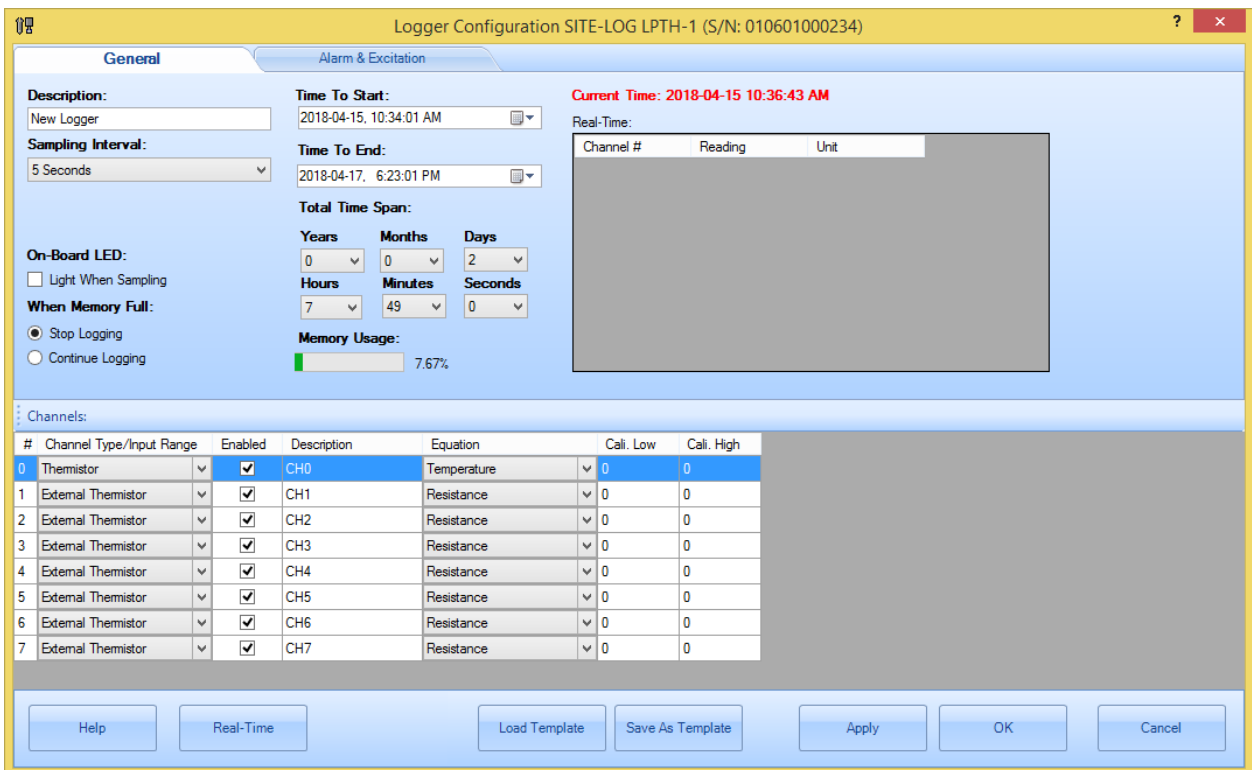
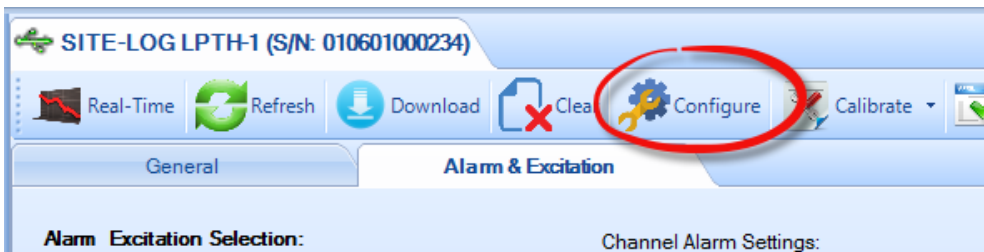


Through the tool bar buttons you can act on other tasks described in the following chapters.

Configure Logger

Configuration of the logger is a procedure to edit the properties of the logger and to start the new logging session.

If you are already in the logger status panel, clicking on the **Configure** button will bring up the configuration dialog window:



There are two tab pages in this dialog. The **General** page is displayed in the above screen shot. If you click **Alarm & Excitation** tab the following page will appear:

Channel #	Enabled	Low Alarm	High Alarm	Unit
0	<input checked="" type="checkbox"/>	21.00	23.00	°C
1	<input type="checkbox"/>	0.00	5488.59	mV
2	<input type="checkbox"/>	0.00	2201.88	mV
3	<input type="checkbox"/>	0.00	2204.44	mV
4	<input type="checkbox"/>	0.00	2181.43	mV
5	<input type="checkbox"/>	0.00	2215.61	mV
6	<input type="checkbox"/>	0.00	2203.49	mV
7	<input type="checkbox"/>	0.00	2203.28	mV

The following fields are for editing:

Description:

Description specifies the information about the logging session with a maximum of 30 characters. It will be the default Title section of the plot in the plot view.

Sampling Interval:

This field specifies the time span the logger will wait between two measurements sampling. Valid settings are:

Sampling Interval for Fast Sampling Mode	Sampling Interval for Normal Sampling Mode
20, 30,... 90 milliseconds	5 seconds to 9 seconds in 1-second increment
100, 200,... 900 milliseconds	10 seconds to 50 seconds in 10-second increment
1, 2,3,4 seconds	1 minute to 59 minutes with 1-minute increment
	1 hour to 12 hour with 1-hour increment

If the sampling interval is four seconds or faster the logger must be powered by an external power supply during the logging period.

Making changes to the Sampling Interval will affect Total Time Span fields.

On-Board LED

Check this field to enable the on-board status LED. If the LED is enabled it will flash each time when it samples data to indicate:

1. The logging is active if the LED flashes in green.
2. The logger is in alarm state if the LED flashes in red.
3. The battery will die soon if the LED flashes in amber.

If you do not need LED indication, you can uncheck this field to increase the battery life.

When Memory Full

If you want the logger to stop logging when the memory is full select **Stop logging**. If you want the logger to continue logging and overwrite the oldest data with the new data (FIFO), you choose **Continue logging**.

Time to Start & Time to End

These two fields specify the desired time the logger will start logging data and the time to stop logging data.

Making changes to the Time to Start/End will affect Total Time Span fields mentioned later.

If you have selected the **Continue logging** field, when the memory is full, both start time and end time will move forward accordingly.

Total Time Span

These fields are an alternate way to specify the total logging time from the start time you specified above.

Changes made on these fields will affect **Time to End** field.

Channel Settings:

Enabled

Check this field to enable this channel for logging.

Channel Range

This field specifies the measurement range the channel will use. Different channel types have different input range selections. Please refer to **Channels and Sensor Connections** chapter for details.

Description

This field specifies the name or the description of the channel (maximum of 30 characters).

Equation

This field specifies the equation used for the channel. Different channel ranges have different default equations. Please refer to **Channels and Sensor Connections** chapter for details.

In order to convert a process signal to a correct measurement value an equation must be applied to the channel.

For example, if you want to use the 0 – 5 VDC channel to record a battery voltage output, the logger will first convert the battery voltage values to digital values and save them in the memory. Later when all data are downloaded to a computer, SiteView will use equation “VoltageDC” to convert the digital values back to voltage values.

If you are recording the voltage output of a transducer or transmitter and the range of the voltage refers to another measurement unit, you will need to create your own equation for this conversion. For instance, if your CO2 transducer outputs 0 – 5VDC representing 0 – 5000PPM of CO2, the custom equation you need to create looks like this:

```
public double CO2Equation(double Input)
{
    double output;
    output = 5000 * Input / 5 ;
    return output;
}
```

For detailed instructions on how to create a custom equation please refer to the **SiteView User's Manual** available for download online.

Cali. Low & Cali. High

These two fields specify the custom calibration values that are used for measurement adjustment.

Cali. Low value specifies the digital value that is over zero when the input value is in the low range value (for 0 – 5 VDC channel the low range is zero volt). The equation will subtract this value from the original digital value when doing the conversion.

Cali. High value specifies the digital value that is over 65535 when the input value is in the high range value (for 0 – 5VDC channel the high range is 5 volt). The equation will subtract this value from the original digital value when doing the conversion.

The valid range for these two parameters is from –32768 to 32767.

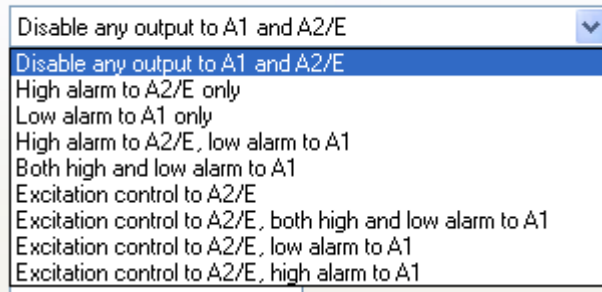
These two parameters for each channel were originally set to zero when the logger was first released.

If you have finished the **Cali. Low** and **Cali. High** calibration instructed in the later chapter, the “Cali. Low” and “Cali. High” values may be readjusted.

Alarm and Excitation:

Alarm/Excitation Selection

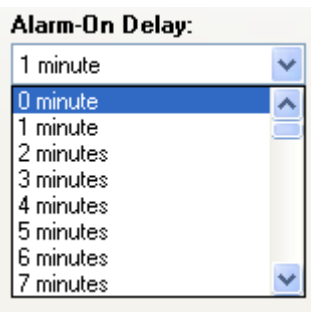
This field specifies how Alarm1 and A2/E terminals are being controlled by alarm state and/or excitation settings. Available settings are:

Alarm/Excitation Selection:**Notify Alarm via Modem**

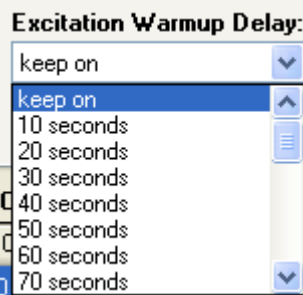
This field specifies if the alarm notification is been sent out via Modem when in alarm state.

Alarm-On Delay

This filed specifies a time delay before sending out alarm notification if there is an alarm. This applies to both terminal strips and the dial-out command which is sent out via communications port.

**Excitation Warm-up Delay**

This field specifies how much delay will be put after the excitation terminal is activated and before the logger is taking the sample.

**Channel Alarm Settings**

This table specifies how each channel controls alarm state by:

Alarm Enabled: Check this field to associate this channel to the alarm state.

Low & High Alarm: These fields define the alarm thresholds. If the reading is beyond these thresholds, the alarm is triggered.

Channel Alarm Settings:

CH#	Alarm Enabled	Low Alarm	High Alarm	Unit
0	<input checked="" type="checkbox"/>	-134.09	110.50	°C
1	<input checked="" type="checkbox"/>	-353.3989	20568.2460	mV
2	<input checked="" type="checkbox"/>	-8.5205	10.0501	mV
3	<input checked="" type="checkbox"/>	0.0000	0.0000	mV
4	<input checked="" type="checkbox"/>	0.0000	0.0000	mV
5	<input checked="" type="checkbox"/>	0.0000	0.0000	mV
6	<input checked="" type="checkbox"/>	0.0000	0.0000	mV
7	<input checked="" type="checkbox"/>	0.0000	0.0000	mV

Once you have finished making changes to the available settings, you can click **OK** button to save the settings to the logger. The logger will start to record data from **Time to Start** you have set.

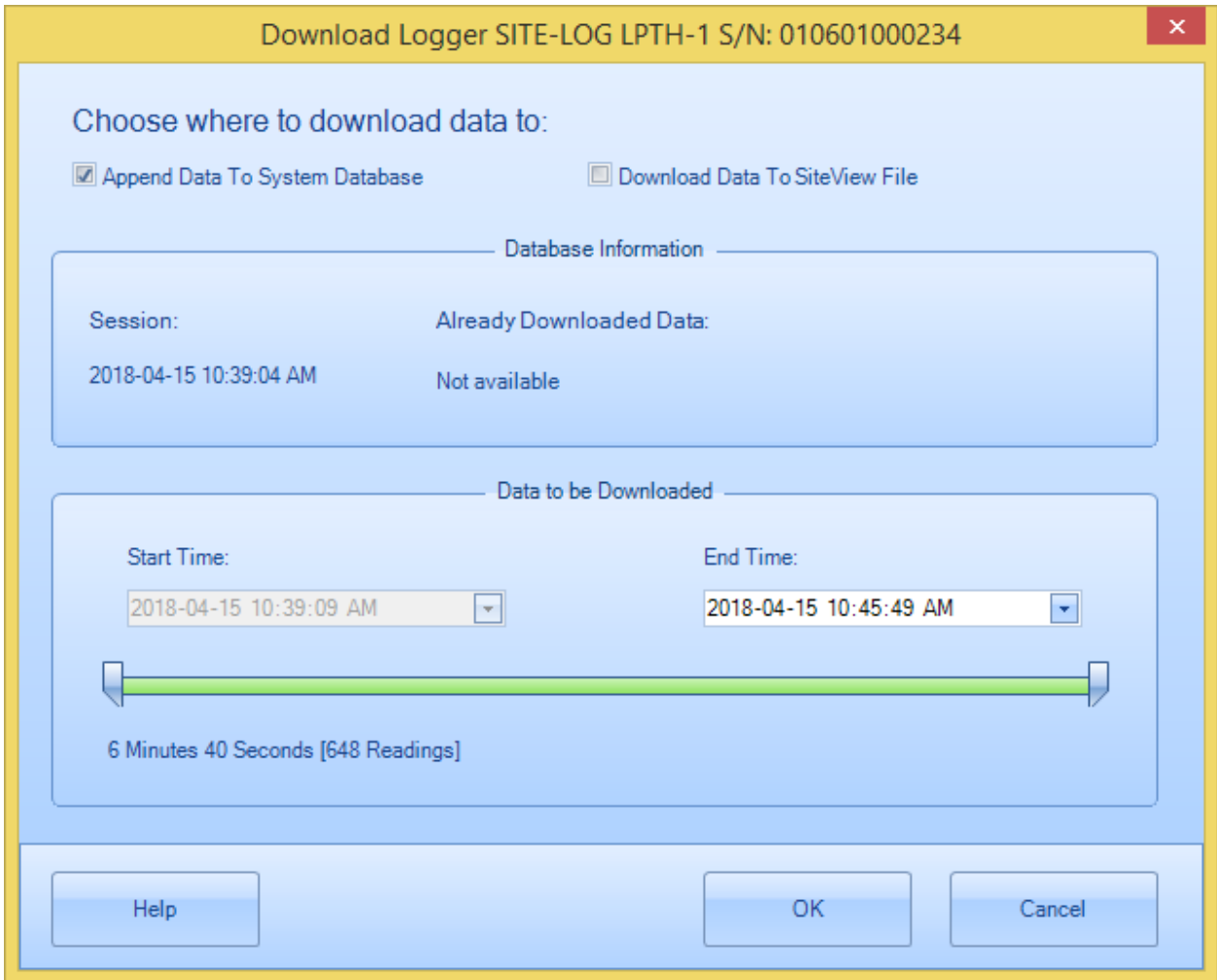
Note: clicking on OK or Apply buttons will erase all existing measurements saved in the logger.

For a detailed description of each available setting please refer to the **SiteView User's Manual** available for download online.

Download Logger

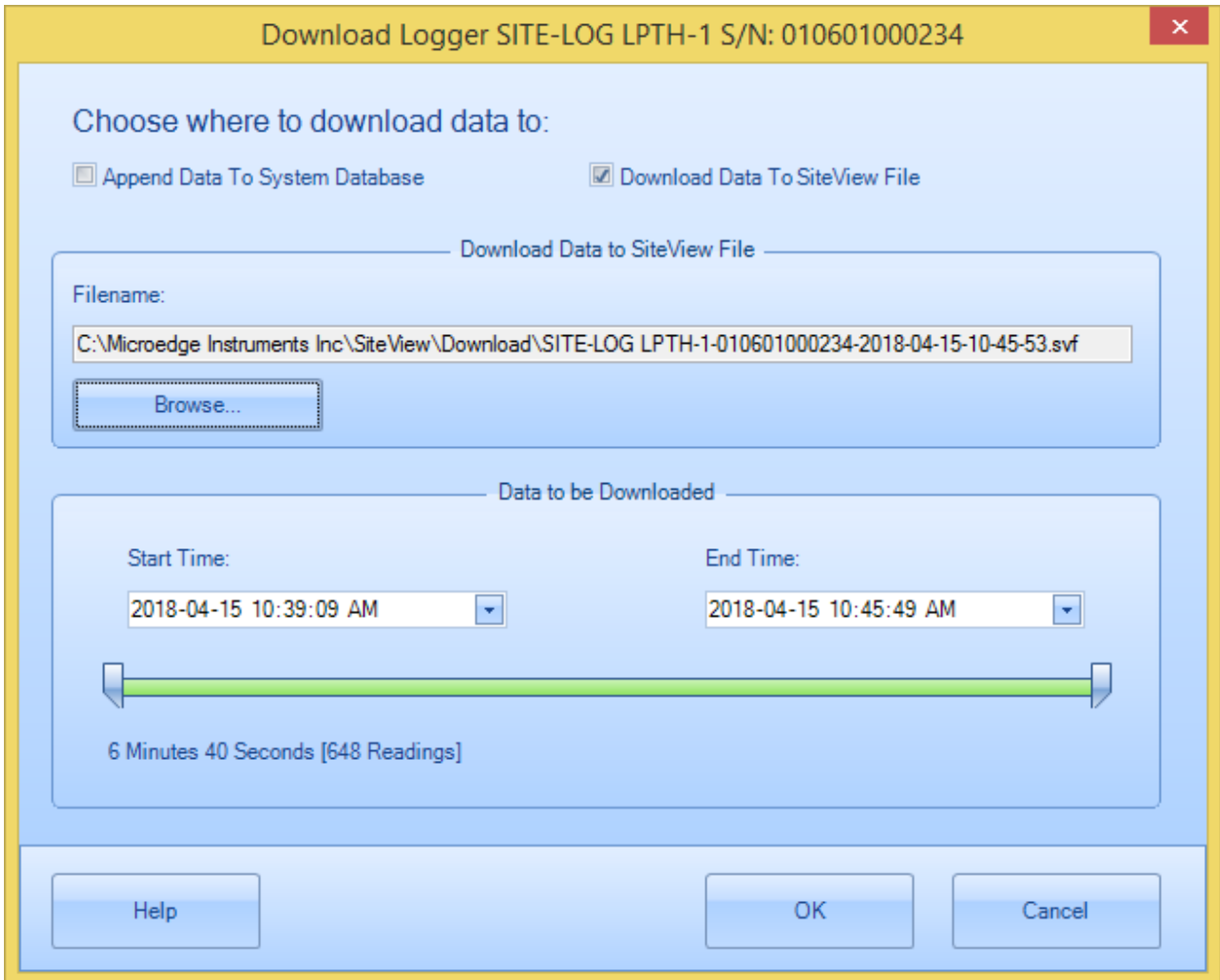
If you are already in logger status tab, clicking on "Download" button will bring up **Download** dialog window:





Started from Site View 3, data can be downloaded to the system database. Each data logger has a life-time database file associated to it. If you choose to “Append Data to System Database” you can specify End Time and start to download the data.

If you choose to download data to a separate Site View file, the user interface looks like:



The fields that you can edit are:

Filename & Browse

These fields specify the full file path the downloaded data will be saved into.

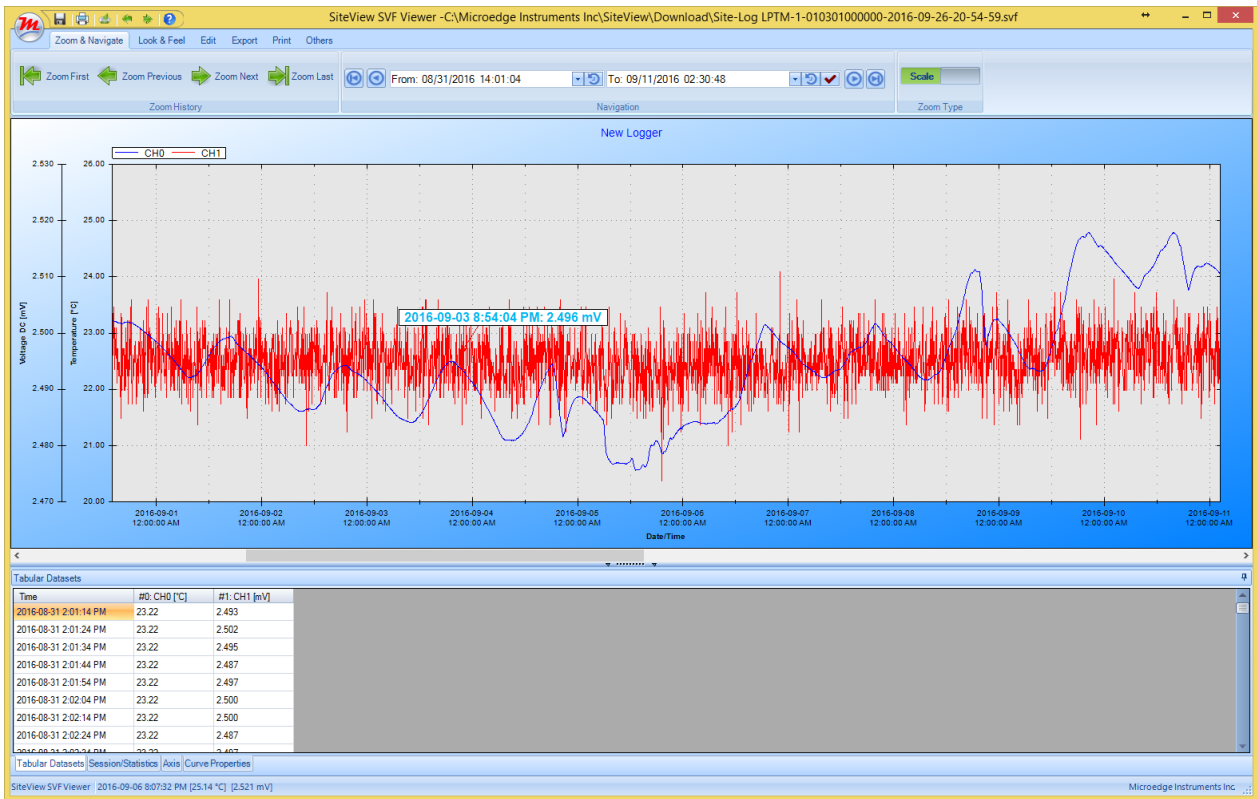
Clicking on **Browse** button will display **File Save** dialog where you can edit or choose a file name.

Start Time & End Time

These fields specify the desired start and end time for the data to be downloaded. You can use either scroll bars or the calendar controls to change the start and end time.

Once you have selected a desired time frame you can click **OK** button to start the download process.

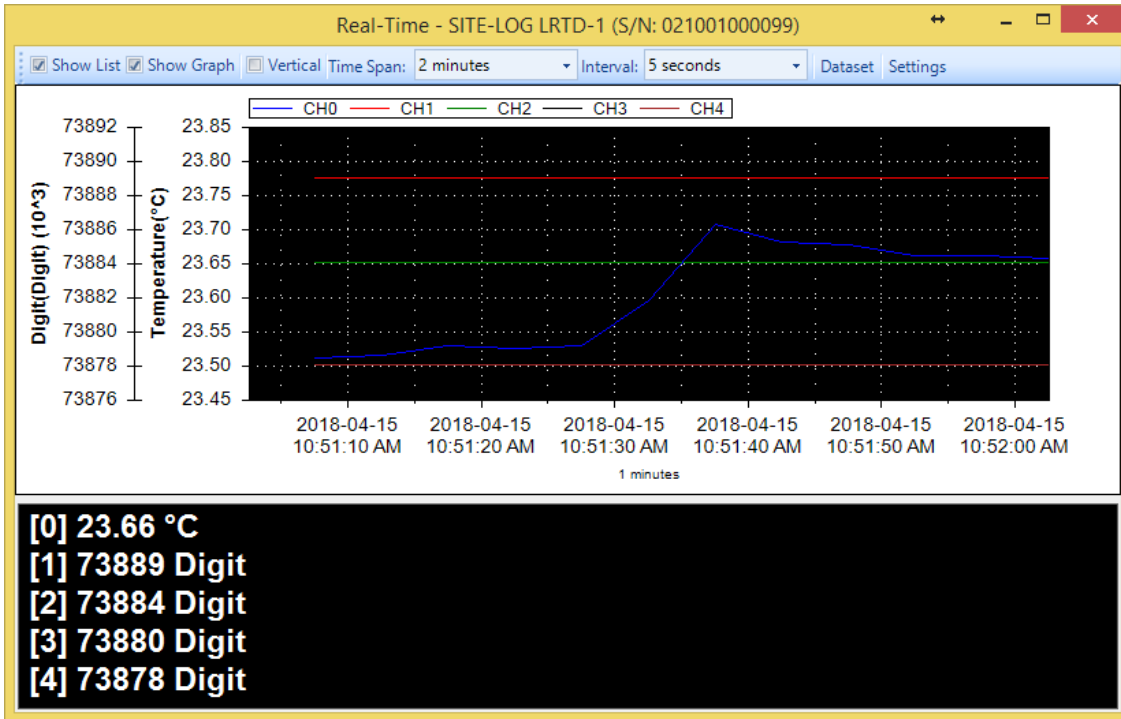
After the download the plot and tabular data will be displayed:



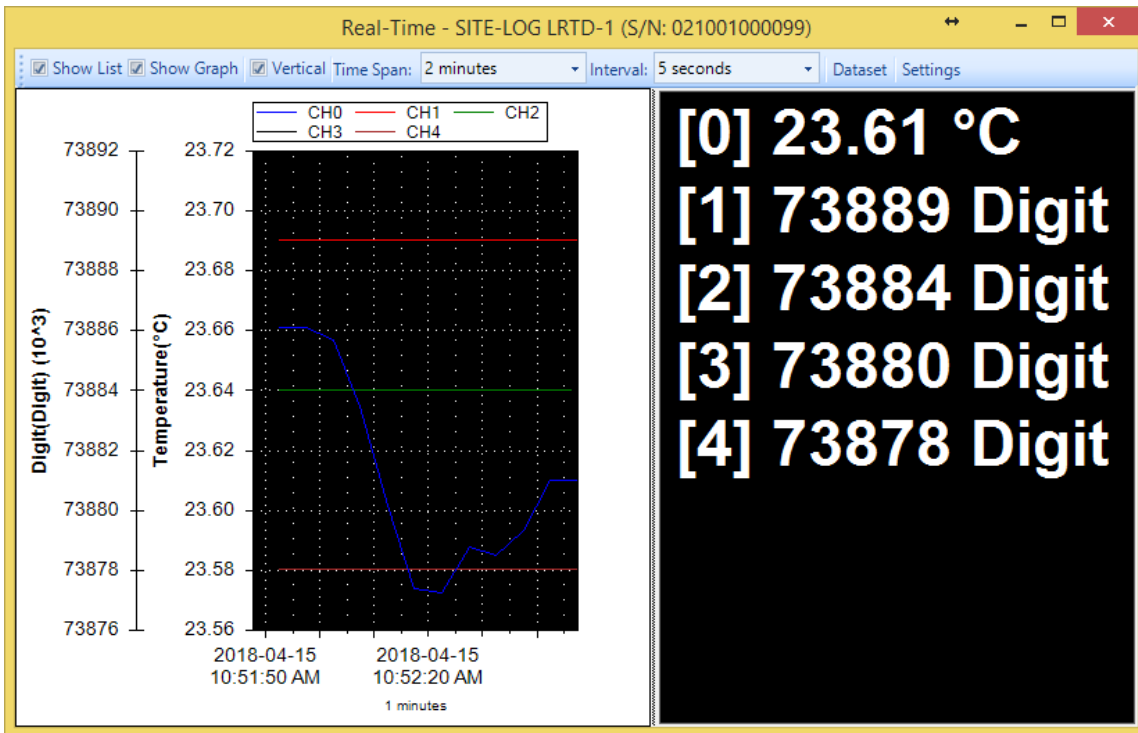
Real-Time Display

If the logger is in normal sampling mode (sampling interval is 5 seconds or longer), SiteView can view the real-time measurements while the logger is still logging data. The real-time display shows the list of the latest channel real-time measurements, as well as the trend chart of all channel real-time measurements for the past given period of time from the current time.

To open real-time view, if the logger has been contacted and the status of the logger is displayed, click on **Real-Time** tool bar button. The following real-time dialog appears:



Real-Time in Horizontal View



Real-Time In Vertical View

Show List

Click to show/hide the list view panel.

Show Graph

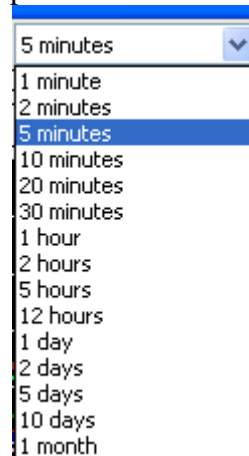
Click to show/hide the chart view panel.

Vertical

Click to display the chart and list views vertically.

Time Span

This field allows changing the time span for the chart view. Available settings are:



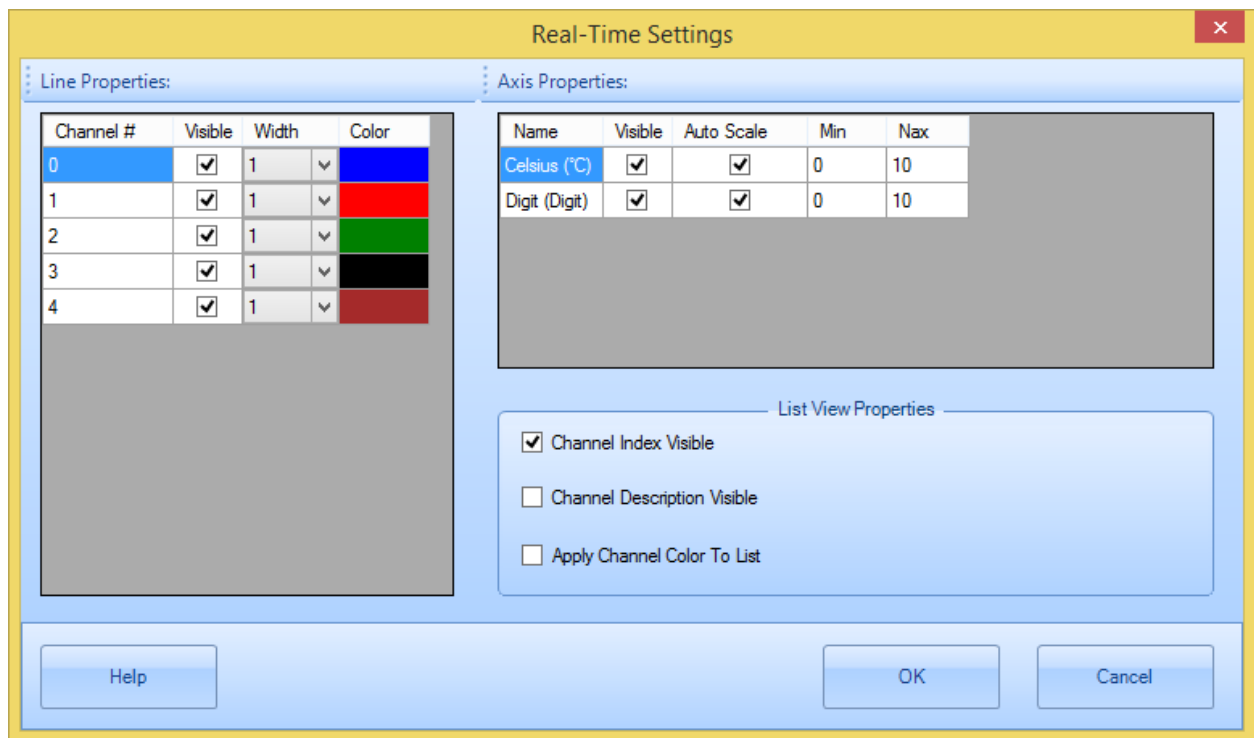
Dataset

Click to display the tabular view of the recorded measurements illustrated below:

Time	CH1 (°C)	CH2 (mV)	CH3 (mV)	CH4 (mV)	CH5 (mV)	CH6 (mV)	CH7 (mV)	CH8 (mV)
21/08/2010 9:57:45 PM	23.94	76.9055	76.9055	76.9055	76.9055	77.2107	77.2107	77.5158
21/08/2010 9:57:50 PM	23.93	76.2951	76.6003	76.2951	76.6003	76.6003	76.9055	76.9055
21/08/2010 9:57:55 PM	23.91	76.6003	76.6003	76.6003	76.6003	76.9055	77.5158	76.9055
21/08/2010 9:58:00 PM	23.90	76.6003	76.9055	76.2951	77.2107	77.2107	77.2107	77.2107
21/08/2010 9:58:05 PM	23.91	76.6003	76.6003	76.9055	77.2107	76.6003	75.9899	76.2951
21/08/2010 9:58:10 PM	23.92	76.9055	76.9055	77.2107	76.6003	76.9055	76.6003	76.9055
21/08/2010 9:58:15 PM	23.94	76.6003	76.2951	77.2107	77.2107	76.9055	76.6003	76.9055
21/08/2010 9:58:20 PM	23.93	77.2107	76.2951	76.2951	76.9055	76.9055	77.2107	77.2107
21/08/2010 9:58:25 PM	23.94	76.6003	76.2951	76.6003	77.2107	76.9055	76.9055	76.2951
21/08/2010 9:58:30 PM	23.94	76.2951	76.6003	76.9055	77.2107	77.5158	76.9055	77.2107
21/08/2010 9:58:35 PM	23.94	76.6003	76.2951	76.9055	76.9055	76.9055	76.6003	76.9055

Settings

Click to display more properties illustrated below:



For detailed instructions on how to change real-time view settings please refer to **SiteView Instruction Manual** available for download online.

Calibrate a Channel

SiteView software provides two-point calibration for most of the loggers.

Understand Cali. Low & Cali. High

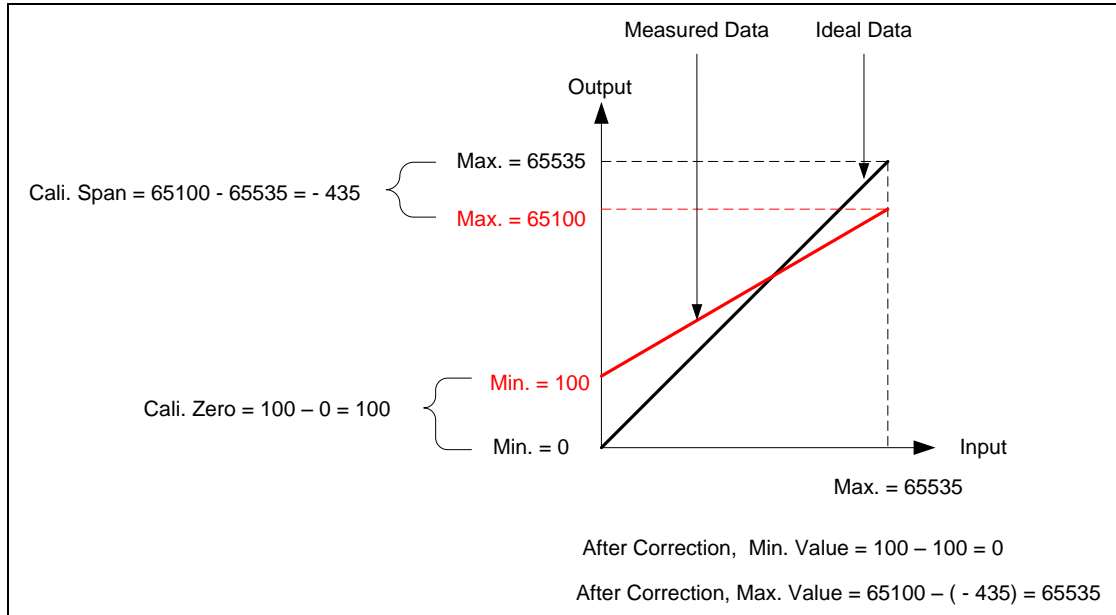
In the logger status page, there are two properties for each listed channel called **Cali. Low** and **Cali. High**. These two fields specify the calibration values that are used for measurement adjustment.

Cali. Low value specifies the digital value that is over zero when the input value is the lowest value (for 0 – 5 VDC channel the lowest value is zero volt). For instance, if you apply zero volt input and the logger measured 100 as the digital value, then **Cali. Low** should be 100 digits. The equation entity will subtract this value when resolving the correct lowest digital value.

Cali. High value specifies the digital value that is over 65535 when the input value is the highest value (for 0 – 5VDC channel the high range is 5 volt). For instance, if you apply 5 volt voltage to the channel and the logger measured 65100 as the digital value. Then **Cali. High** is “- 435” (calculated from 65100 – 65535). The equation entity will subtract this value (-435) from the digital value when resolving the highest digital value.

The valid range for these two parameters is from -32768 to 32767 .

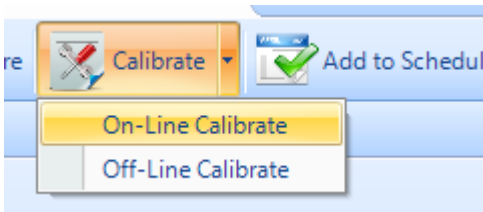
The following figure illustrates the relationship between an ideal data line and a measured data line and how **Cali. Low** and **Cali. High** correct the measured data line.



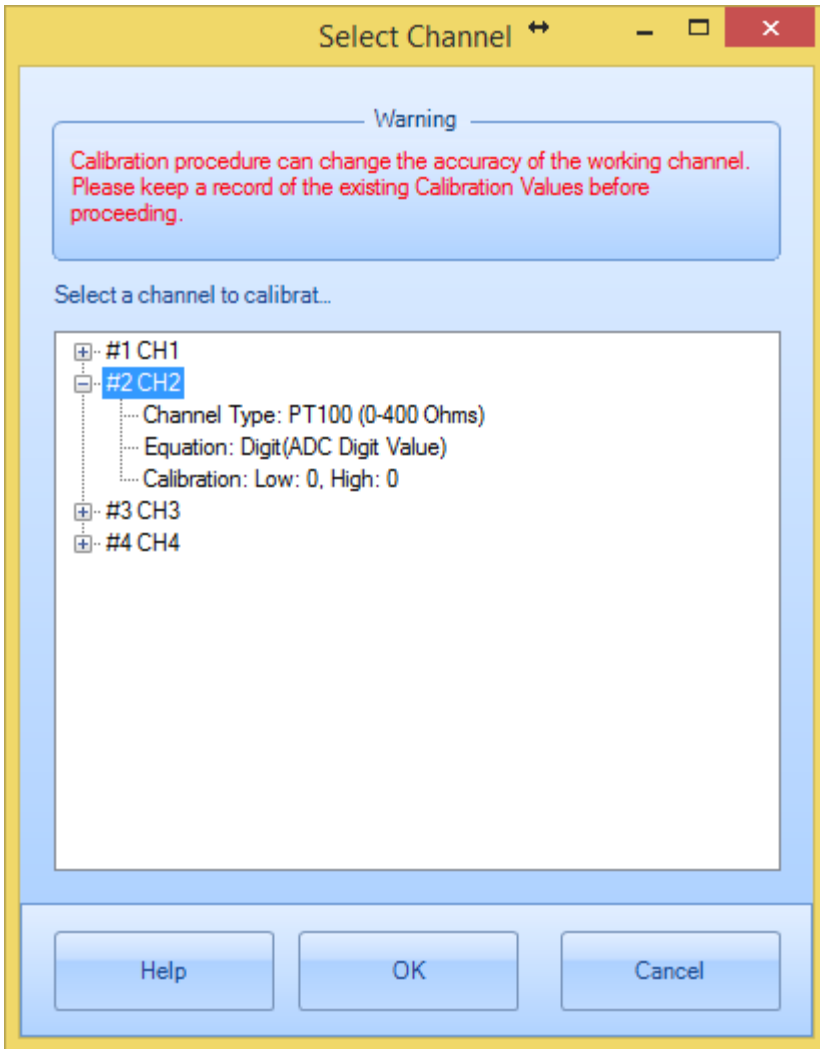
Decide On-Line or Off-Line Calibration

If the source signal like voltage or current can be connected to the logger while the logger is connecting to the computer, you can calibrate the logger on-line. If the source signal like a temperature or relative humidity is not available for on-line calibration, you can calibrate the logger off-line after the logger has recorded the low and high point data.

You access On-Line / Off-Line Calibration via Calibrate button on the logger status tool bar.




The following dialog appears:



Select the channel you want to calibrate on and click **OK** button. The calibration dialogs appear as follows:

Channel Calibration Wizard - Channel:1



Step 1: Low Point Calibration

Based on the equation the channel is using, the range of the channel is:

MilliVolt(mV) To MilliVolt(mV)

Please type in the low point value of the source input that is connected to the channel:

Input Low Reference Value

MilliVolt(mV)


Click "Start Calibration" button to start the calibration. When you see the current reading is stable you can click "Stop Calibration" button to stop this procedure. (Minimum 3 readings)

 Current Reading MilliVolt(mV)

Click "Next >>" button to proceed for High Point Calibration.

Timer: 00:00:16 seconds. 3 readings

Channel Calibration Wizard - Channel:1



Step 2: High Point Calibration

Based on the equation the channel is using, the input range of the channel is:

MilliVolt(mV) To MilliVolt(mV)

Please type in the high point value of the source input that is connected to the channel:

Input High Reference Value

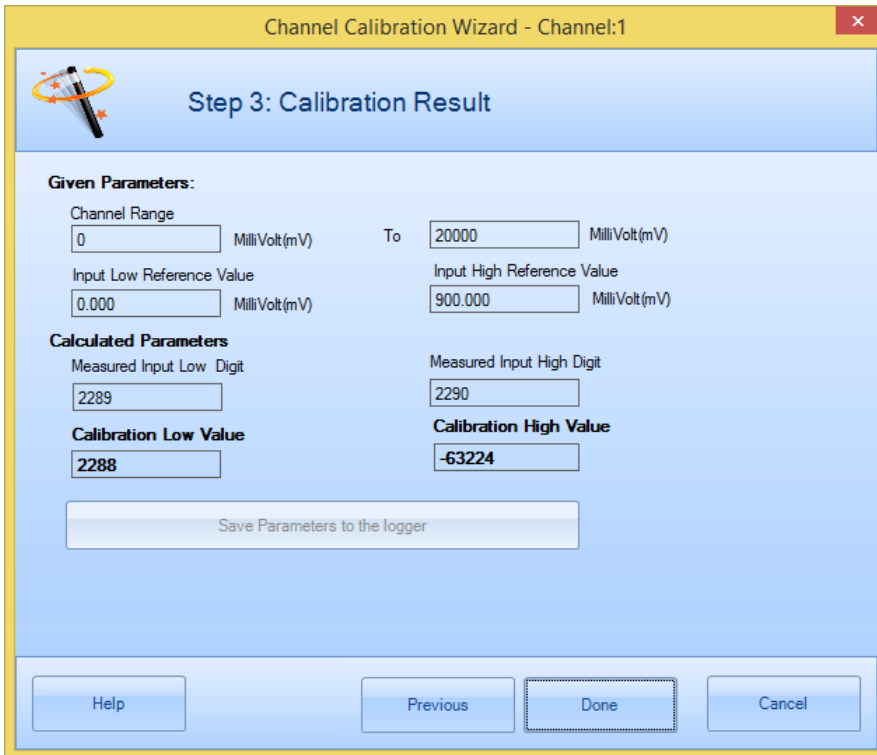
MilliVolt(mV)

Click "Start Calibration" button to start the calibration. When you see the current reading is stable you can click "Stop Calibration" button to stop this procedure. (Minimum 3 readings)

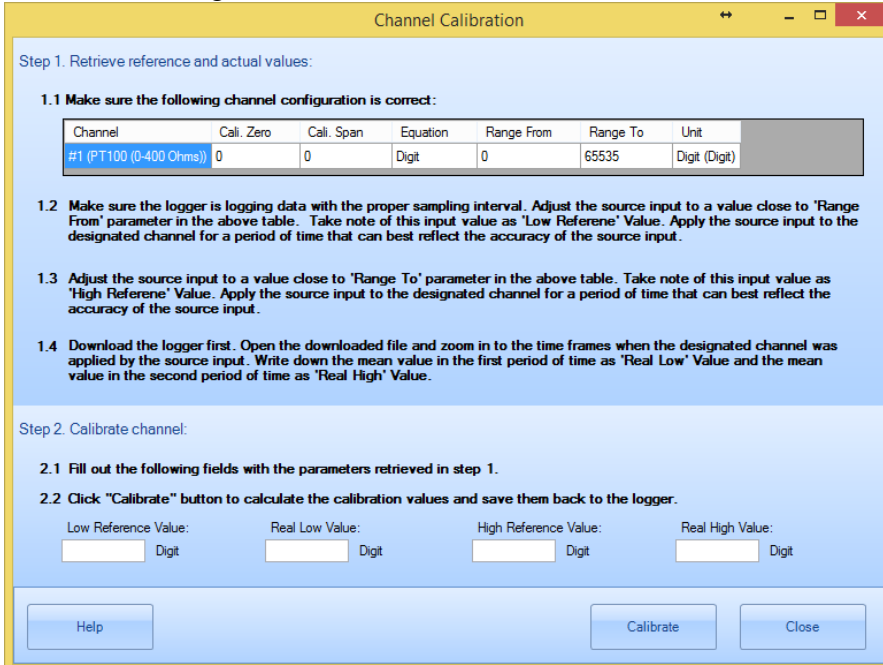
 Current Reading MilliVolt(mV)

Click "Next >>" button to proceed for the result.

Timer: 00:00:16 seconds. 3 readings



The above dialogs are for On-Line Calibration.



The above dialog is for Off-Line Calibration.

Please refer to **Calibrate Logger** chapter in **SiteView User's Manual** for details.

6. Specifications

Common Specifications

Alarm	
Channel Alarms	Two editable alarm thresholds per channel. Alarm controls Alarm1, A2/EXT outputs and send out over comm. interface.
Alarm Outputs	Alarm1 & A2/EXT can be configured as alarm outputs. Alarm-On: MOSFET(N-Channel) switch on Alarm-Off: MOSFET(N-Channel) switch off Max Power: 200mA @ 24VDC. With purchase of SiteView software, iLog can report alarm status to host PC via USB, Modem or Ethernet Device Server.
Alarm-On Delay	Programmable 0 - 10 minutes delay with 1-minute increment.
Alarm Indicator	On-board LED lights in red when in alarm state.
On-board Memory	
Capacity	4 Mega-bytes (2 Mega measurements)
Data Retention	Over 20 years
Sampling & Logging	
Sampling Interval	20 milliseconds ^[1] to 12 hours for other models, user selectable.
Logging Mode	Stop recording or FIFO when memory is full.
Logging Activation	Programmable instant, start delay or field push button activation.
Communications	
Interface	USB (Mini-USB-B) (USB-A-mini USB-B Cable included) AUX(RJ11) for direct TTL level communications With purchase of DeviceServer, iLog can be connected to Ethernet for remote access.
Baud Rate	Auto-detect baud rate from 2400 to 115200 bps on both USB and AUX.
Battery	
Power	Built-in 3.6V Lithium Battery.
Life Cycle	12 years for other models based on 1 minute sampling interval.
Software	
SiteView ^[2]	Configuration, downloading, scheduled downloading, plotting, real-time plotting, custom calibration and custom equation
Software Requirements	Computer with 1.0 GHZ or faster processor 256 MB Memory or higher 1.0 GB of available hard-drive space or higher Windows XP with SP2 or later, Vista, Window 7 At least one USB port or one COM port.

Physical	
Material	Aluminum Enclosure.
PCB Treatment	Conformal coating
Dimension	88 X 64.2 X 24 mm 3.46 X 2.53 X 0.95 Inches
Weight	150g
Mounting	Probe/wall-mount holes for hanging/mounting.
Others	
LED Indicator	Tri-Color LED: (can be disabled for power saving) Normal Sampling: green when sampling. Alarm: red when sampling. Low Battery: amber when sampling.
Excitation Control	A2/EXT terminal strip can be configured as excitation control output for driving the power of connected devices. Warm-up Interval settings: 10 to 240 seconds with 10-second increment.
Operating Environment	-40 ~ +70°C (-40 to + 158°F), 0 ~ 95 %RH non-condensing.
Clock Accuracy	± 1 minute per month
Approvals	CE, FCC

[1]: Maximum enabled channels: 1 for 20ms interval, 2 for 30ms, 8 for 40ms or bigger interval.

[2]: Sold separately.

Logging Capacity

Sampling Interval	Enabled Channel	Logging Capacity
1 minute	1	3.98 years
1 minute	2	727 days
10 seconds	1	242 days
10 seconds	2	121 days

Sampling Interval	Enabled Channel	Logging Capacity
1 second	1	24 days
1 second	2	12 days
100 ms	1	58 hours
100 ms	2	29 hours