



control solutions

# TERACOM

## TSD800 Magnetic door sensor



### Short description

TSD800 is a magnetic door sensor with leads. The sensor has a relay (“dry contact”) output. The robust design makes it an ideal choice for either metal or wooden doors and windows.

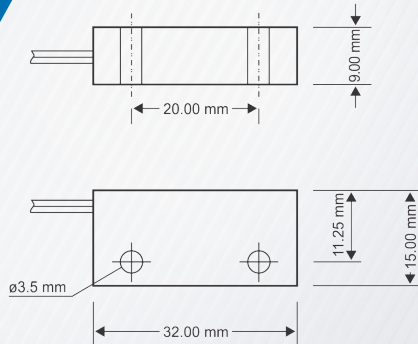
### Applications

- Door or window monitoring security;
- Open window detection for hotel and offices HVAC systems;
- Server rooms and data centers door opening monitoring;
- Building management system (BMS).

### Technical parameters

Parameter	Value	Parameter	Value
Max switching voltage	100V	Housing	Zink alloy
Max switching current	0.5A	Contact	Closed when both parts are close to each other
Max switching power	10W	Cable	UL1007 22AWG, 450mm long

### Drawings



### Usage

Can be used with following TERACOM controllers

- TCW241 - TCW220 - TCW260 - TCG140 - TCG120 - TCW122B-CM