

# ISOSIG-35S / 35D

Programmable, 4-Wire Isolated  
Signal Converter / Transmitter / Splitter



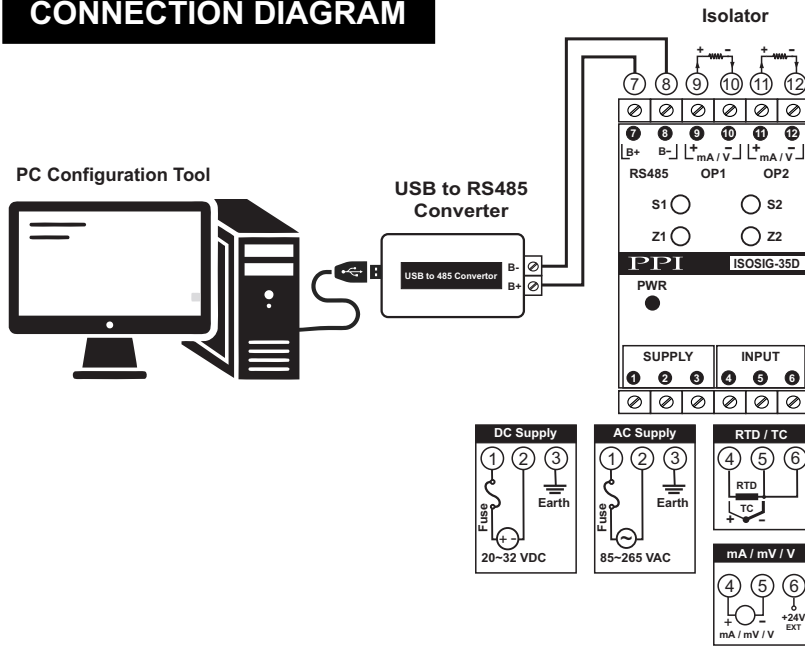
101, Diamond Industrial Estate, Navghar, Vasai Road (E), Dist. Palghar - 401 210.

Sales : 8208199048 / 8208141446 Support : 07498799226 / 08767395333

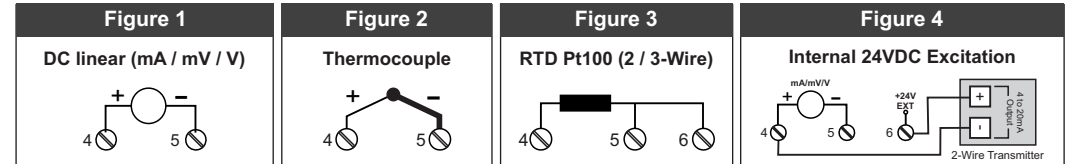
E: sales@ppiindia.net, support@ppiindia.net

Jan 2022

## CONNECTION DIAGRAM



## INPUT WIRING DIAGRAM



### DC linear (mA / mV / V)

Connect Signal Positive to terminal marked (+) & Negative to terminal marked (-) as shown in Figure 1.

### Thermocouple

Connect Thermocouple Positive to terminal marked (+) & Negative to terminal marked (-) as shown in Figure 2

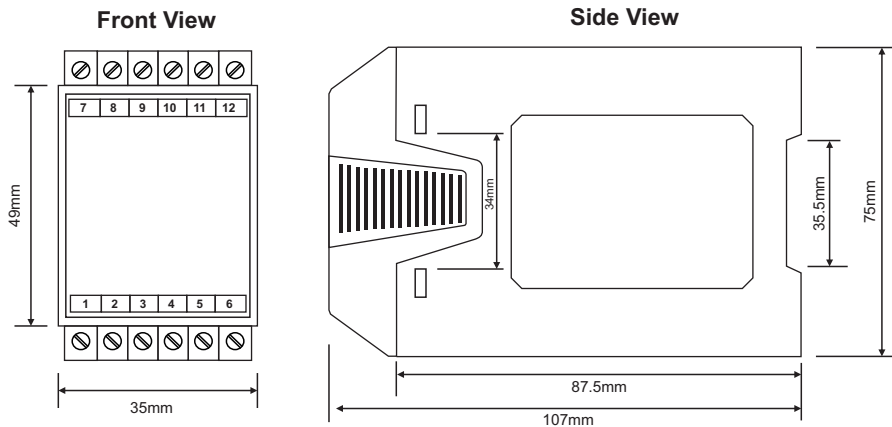
### RTD Pt100, 3-Wire / 2-Wire

For 3-Wire configuration, connect single lead end of RTD bulb to terminal 4 and the double lead ends to terminal 5 and 6 (interchangeable) as shown in Figure 3. For 2-Wire configuration, connect RTD bulb across terminals 4 & 5 (interchangeable).

### 2-Wire Loop Powered Transmitter connection using Internal 24VDC Excitation(Optional)

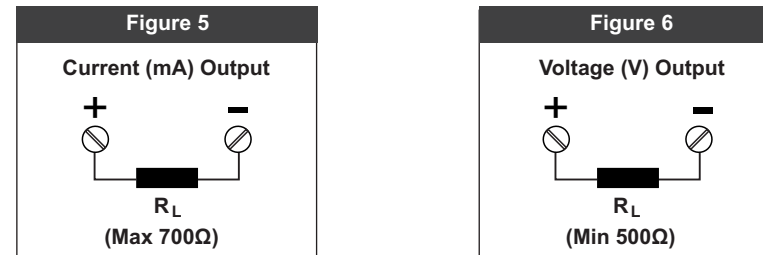
Power 2-wire Transmitter through terminal marked (+24V EXT). Connect the Output of 2-Wire Transmitter to Terminal marked (+). Leave terminal marked (-) unconnected as shown in Figure 4.

## DIMENSIONS (mm)



Overall Dimensions : 35(W) X 75(H) X 107(D), mm

## OUTPUT-1 & OUTPUT-2 WIRING DIAGRAM



### DC linear (mA / V)

Connect Signal Positive to terminal marked (+) & Negative to terminal marked (-) as shown in Figure 5 & Figure 6.