

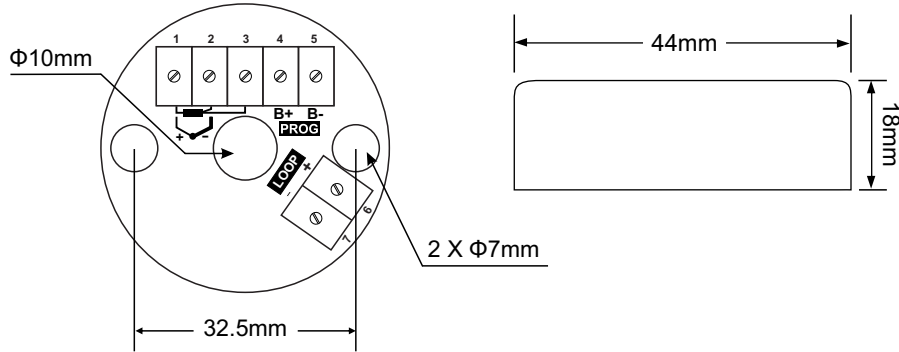
TXU-01-H Operation Manual

Head Mounting, Simplex, Universal
2-Wire Temperature Transmitter



CONNECTION DIAGRAM

DIMENSIONS (mm)



SENSOR WIRING DIAGRAM

Thermocouple

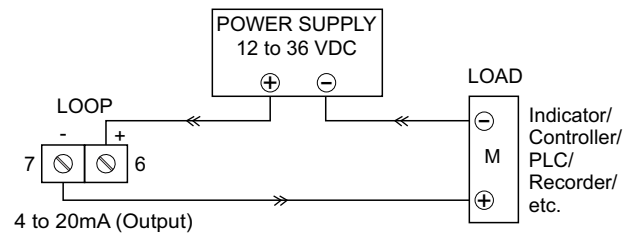
Connect Thermocouple Positive (+) to terminal 1 & Negative (-) to terminal 2.

RTD Pt100, 3-wire

For 3-Wire configuration, connect single lead end of RTD bulb to terminal 1 and the double lead ends to terminal 2 and 3 (interchangeable).

For 2-Wire configuration, connect RTD bulb across terminals 1 & 2 (interchangeable).

LOOP WIRING DIAGRAM



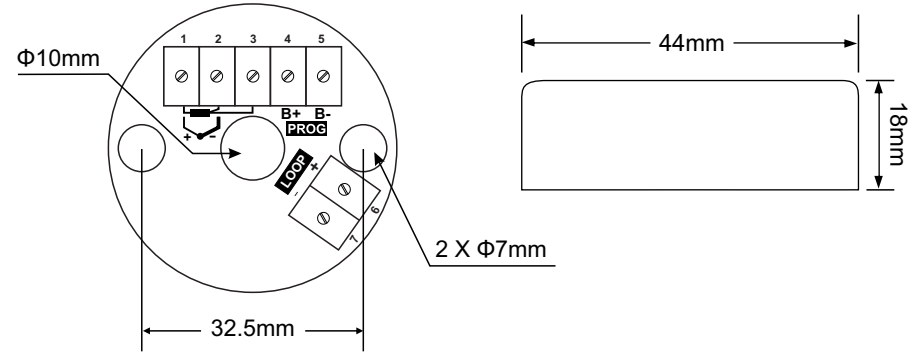
TXU-01-H Operation Manual

Head Mounting, Simplex, Universal
2-Wire Temperature Transmitter



CONNECTION DIAGRAM

DIMENSIONS (mm)



SENSOR WIRING DIAGRAM

Thermocouple

Connect Thermocouple Positive (+) to terminal 1 & Negative (-) to terminal 2.

RTD Pt100, 3-wire

For 3-Wire configuration, connect single lead end of RTD bulb to terminal 1 and the double lead ends to terminal 2 and 3 (interchangeable).

For 2-Wire configuration, connect RTD bulb across terminals 1 & 2 (interchangeable).

LOOP WIRING DIAGRAM

