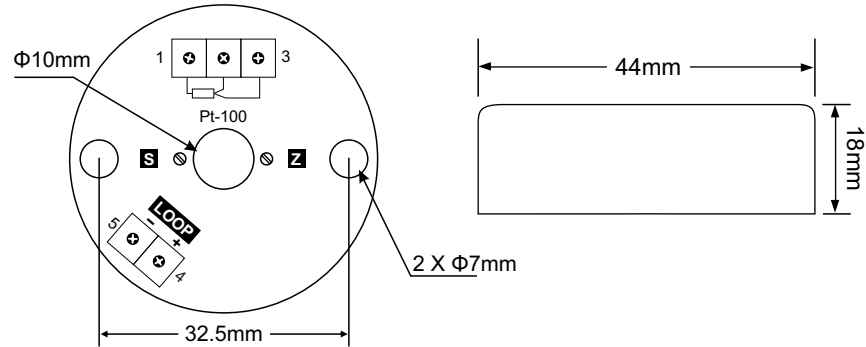


TXR-01-H Operation Manual

RTD Pt100, Simplex, In-Head,
2-Wire Temperature Transmitter



CONNECTION DIAGRAM



DIMENSIONS (mm)

SENSOR WIRING DIAGRAM

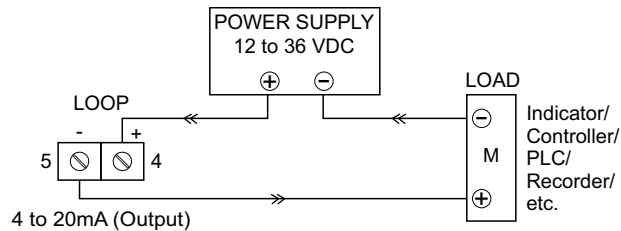
For 3-Wire configuration, connect single leaded end of RTD bulb to terminal 1 and the double leaded ends to terminal 2 and 3 (interchangeable).

For 2-Wire configuration, connect RTD bulb across terminals 1 & 2 (interchangeable).

Zero Adjustment : Within ± 1.2% of Range through multi-turn trimpot.
Example : For 0 to 400°C, $0.012 * (400^{\circ}\text{C} - 0^{\circ}\text{C}) = \pm 4.8^{\circ}\text{C}$

Span Adjustment : Within ± 12% of Range through multi-turn trimpot.
Example : For 0 to 400°C, $0.12 * (400^{\circ}\text{C} - 0^{\circ}\text{C}) = \pm 48^{\circ}\text{C}$

LOOP WIRING DIAGRAM

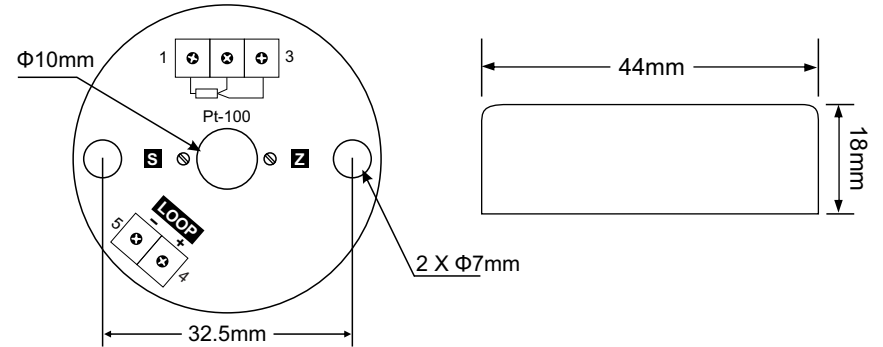


TXR-01-H Operation Manual

RTD Pt100, Simplex, In-Head,
2-Wire Temperature Transmitter



CONNECTION DIAGRAM



DIMENSIONS (mm)

SENSOR WIRING DIAGRAM

For 3-Wire configuration, connect single leaded end of RTD bulb to terminal 1 and the double leaded ends to terminal 2 and 3 (interchangeable).

For 2-Wire configuration, connect RTD bulb across terminals 1 & 2 (interchangeable).

Zero Adjustment : Within ± 1.2% of Range through multi-turn trimpot.
Example : For 0 to 400°C, $0.012 * (400^{\circ}\text{C} - 0^{\circ}\text{C}) = \pm 4.8^{\circ}\text{C}$

Span Adjustment : Within ± 12% of Range through multi-turn trimpot.
Example : For 0 to 400°C, $0.12 * (400^{\circ}\text{C} - 0^{\circ}\text{C}) = \pm 48^{\circ}\text{C}$

LOOP WIRING DIAGRAM

