

Features

- High Accuracy & Long-term Stability
- Compact Size, Sturdy Design, Elegant Looks
- Easy to Install
- High Cost to Performance Ratio

Applications

- Monitoring for HVAC Process, Air Conditioning, Environmental Ventilation Control
- Environmental monitoring for Building, Factory, Clean Room, Laboratory
- Monitoring for Storeroom, Crisper, Agriculture, Food Industry

THS13
Indoor
(Space/Wall) Mounting



THS14
Duct Mounting

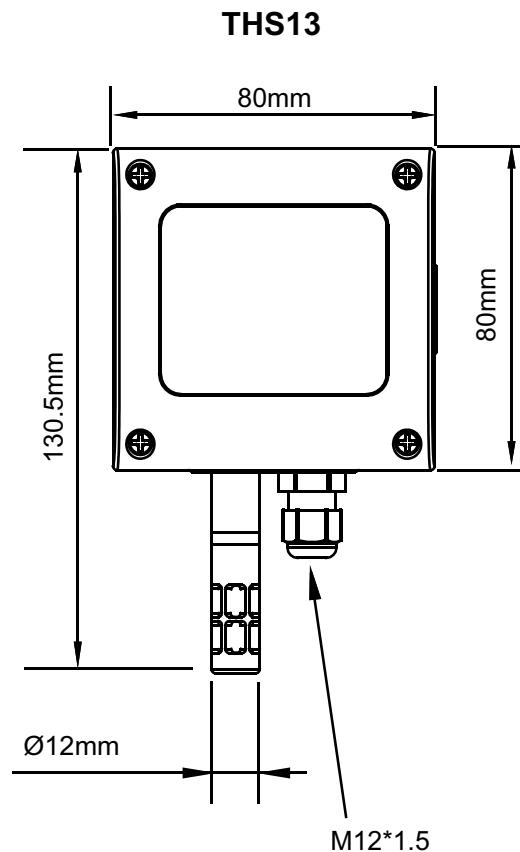


Specifications

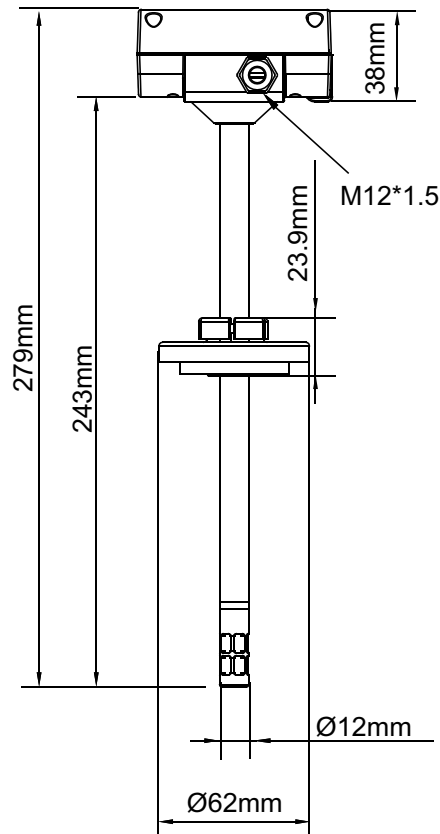
Sensing Elements	
Humidity	Thin-Film Capacitor Humidity Sensor
Temperature	RTD Pt1000, IEC 751, DIN 43760
Measuring Range	
Temperature	0 to 50°C
Humidity	0 to 100%
Recommended Working Range	
Temperature	15 to 35°C
Humidity	20 to 80%
Accuracy (at 25°C)	
Temperature	± 0.3°C
Humidity	± 3% RH (20 to 80%)
Temperature Influence	0.2% RH/°C
Outputs	
Analog Output-1 (Proportional to Temperature)	Standard : 4 to 20mA Optional : 0 to 10V (Current Output : 500Ω Max Voltage Output : 10KΩ Min)
Analog Output-2 (Proportional to Humidity)	Standard : 4 to 20mA Optional : 0 to 10V (Current Output : 500Ω Max ; Voltage Output : 10KΩ Min)
Signal Connection	3-Wire (Output-1, Output-2 & Common)
Output Calibration (Zero & SPAN)	10% of Zero-point and Full-Range (Adjustable Range)
Response time t90 (at 25°C)	<20S

Environment	
Measurement Media	Air
Media Temperature	0 to 50°C
Storage Temperature	-25 to 60°C
CE certification	EN 61326-1 : 2006 EN 61326-2-2 : 2006 Emissions EN 55011 : 2009/A1 : 2010 Immunity IEC 61000-4-2 : 2008 IEC 61000-4-3 : 2006 / A1 : 2007 / A2 : 2010 IEC 61000-4-8 : 2009
Electrical Regulation	
Power Supply	15 to 35 VDC & 19 to 29 VAC
Consumption Current	DC 56mA / AC 150mA
Electrical Connection	4P Connection
Installation	Indoor (Space / Wall) / Duct Mounting
Protection Degree	IP 54 (Sensor : IP 20)
Electrical Protection	Reverse Polarity, Over-Voltage & Short-Circuit
Housing	PC Fire-proof Class (PC-110) (UL94V-2)
Weight	THS13 : 132g / THS14 : 157g

Dimension



THS14



Electrical Connections

