

Features

- Dual Current / Voltage Outputs for Temperature & Air Velocity
- Optional RS-485 Serial Port (MODBUS RTU Protocol)
- Air Velocity Ranges : 1 m/s, 2 m/s, 5 m/s, 10 m/s, 20 m/s, 40 m/s, 60 m/s
- Temperature Range : 0 to 80°C
- Selectable Units : m/s, ft/s, km/h, mph, knot
- Zero Offset Facility
- PC Software for Data Logging Recording and Chart Analysis

Applications

Monitoring Gas & Flow for Industrial Processes, HVAC, Building, Factory, Clean Room, Hospital Semiconductor, Electronics, Paper, Environment, Food, Pharmaceutical, Biotechnology Industry



FTS85 (Remote)



FTS84 (Duct)

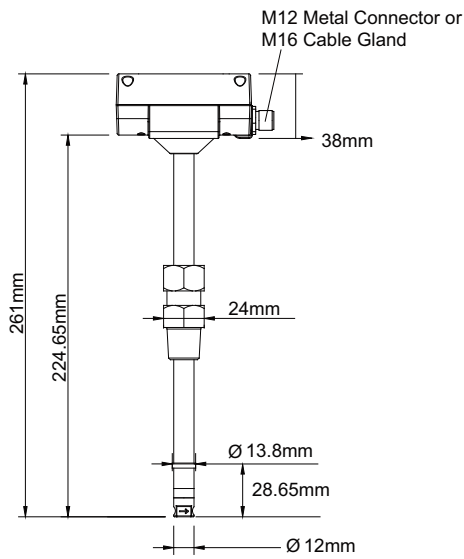
Specifications

Measuring Range	
Air Velocity	1 m/s, 2 m/s, 5 m/s, 10 m/s, 20 m/s, 40 m/s, 60 m/s
Temperature	0 to 80°C
Outputs	
Signal Type for Air Velocity	0 to 20mA / 4 to 20mA / 0 to 1VDC / 0 to 5VDC / 0 to 10VDC
Signal Type for Temperature	0 to 20mA / 4 to 20mA / 0 to 1VDC / 0 to 5VDC / 0 to 10VDC
Signal Connection	3-Wire
Accuracy	Air Velocity : ± 3% F.S., Temperature : ± 0.3°C
Load Resistance (Currents Output)	500Ω Max
Load Resistance (Voltage Output)	10KΩ Min
Response Time (90%)	< 3 Second
Angular Dependence	3% of Measuring Value (When the Angle < 10°)
Display (Optional)	2 Rows LCD Module with Back Light, 5.56mm Character Height Upper Rows : Air Velocity, Lower Rows Temperature

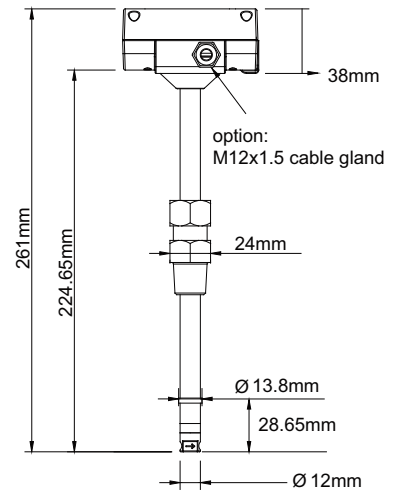
Electrical	
Power Supply	8 to 35 VDC / 12 to 30 VAC
Current Consumption	300mA @ 8 VDC 100mA @ 24 VDC 350mA @ 12 VAC 180mA @ 24 VAC
Over Voltage Protection	DC : < 45V AC : < 40V
Electrical Connection	M12 Connector
Installation	
Mounting	FTS84 : Duct FTS85 : Remote
Fixing	½ PT Outside Thread
Protection	
Protection Degree	IP 65
Electrical Protection	Reverse Polarity, Over-Voltage & Short-Circuit
Certification	
Certification	CE
Material	
Case	PC Fire-Proof Class (UL94V-2)
Probe	SUS304
Filter	POM
Cable	PTFE (FTS85)
Option	SUS Fitting Thread / SUS Flange Type
Weight	FTS84 : 380g 404; (Display) / FTS85 : 391g; 415 (Display)
Environment	
Measurement Media	Air
Measured Medium Temperature	0 to 80°C
Environment Humidity	95% RH (non-cond.)
Storage Temperature	-20 to 60°C
Proof Pressure	10 Bar

Dimension

FTS84 (Duct)

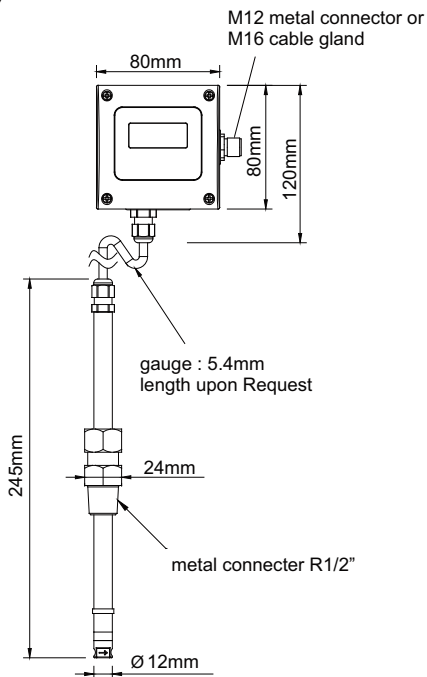


N Type (M16) or Q Type (M12, 8P) : RS-485+Analog
M Type (M12, 4P) : RS-485 or Analog

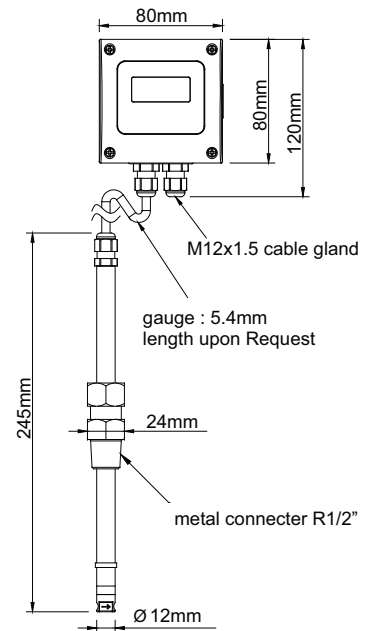


N Type : RS-485 or Analog

FTS85 (Remote)



N Type (M16) or Q Type (M12, 8P) : RS-485+Analog
M Type (M12, 4P) : RS-485 or Analog



N Type : RS-485 or Analog