

HumiTherm-iS

Advanced 'Temperature + Humidity'
Indicator with Control & Alarms

Operation Manual

This brief manual is primarily meant for quick reference to wiring connections and parameter searching. For more details on operation and application; please log on to www.ppiindia.net

PPI

101, Diamond Industrial Estate, Navghar,
Vasai Road (E), Dist. Palghar - 401 210.
Sales : 8208199048 / 8208141446
Support : 07498799226 / 08767395333
E: sales@ppiindia.net, support@ppiindia.net

Jan 2022

OPERATOR PAGE AND PARAMETERS : PAGE 0

Parameters	Settings (Default Value)
Reset Command rst	no No yes Yes (Default : No)
Reset Password code	0 to 9999 (Default : 0)
Select Channel SEL	TC Temp rh Humidity (Default : Temp)
Temperature Control Setpoint or RH Control Setpoint TCSP rhSP	Setpoint Low Limit to Setpoint High Limit (Default : 0.0)
Temperature or RH Alarm-1 Setpoint ALSP	
Temperature or RH Alarm-2 Setpoint A2SP	

ON-OFF CONTROL PARAMETERS : PAGE 11

Parameters	Settings (Default Value)
Select Channel SEL	TC Temp rh Humidity (Default : Temp)
Control Function Ctrl	dsbl Disable enbl Enable (Default : Disable)
Control Mode type	Cool Cool } Temp. Channel HEAT Heat } (Default : Heat)
	dhum De-hum } RH Channel hum Hum } (Default : Hum)
Setpoint Low Limit SPLo	Input Type Minimum Range to Setpoint High Limit (Default : 0.0)
Setpoint High Limit SPHi	Setpoint Low Limit to Input Type Maximum Range (Default : 100.0)
Hysteresis HYSt	0.1 to 99.9 (Default : 2.0)

ALARM PARAMETERS : PAGE-10

Parameters	Settings (Default Value)
Select Channel SEL	TC Temp rh Humidity (Default : Temp)
Alarm Function ALFC	ALrā Alarm tr.P Trip (Default : Alarm)
Alarm Latch ALLt	no No yes Yes (Default : No)
Alarm-1 Type AL_1	none None P_Lo Process Low P_Hi Process High (Default : None)
Alarm-1 Hysteresis ALHY	0.2 to 99.9 (Default : 2.0)
Alarm-1 Inhibit ALi	no No yes Yes (Default : Yes)
Alarm 2 Type AL_2	none None P_Lo Process Low P_Hi Process High (Default : None)
Alarm-2 Hysteresis A2HY	0.2 to 99.9 (Default : 2.0)
Alarm-2 Inhibit A2i	no No yes Yes (Default : Yes)

INPUT CONFIGURATION PARAMETERS : PAGE 12

Parameters	Settings (Default Value)
Select Channel SEL	TC Temp rh Humidity (Default : Temp)

Parameters Settings (Default Value)

Parameters	Settings (Default Value)																											
Input Type inpT	rtD RTD 0-20 0 - 20mA 4-20 4 - 20mA 0050 0.050 V 0200 0.200 V 125 1.25 V 50 5.0 V 100 10.0 V 1-5 1 - 5 V (Default : RTD)																											
Signal Low SLo	<table border="1"> <thead> <tr> <th>Input Type</th> <th>Settings</th> <th>Default</th> </tr> </thead> <tbody> <tr> <td>0 to 20mA</td> <td>0.00 to Signal High</td> <td>0.00</td> </tr> <tr> <td>4 to 20mA</td> <td>4.00 to Signal High</td> <td>4.00</td> </tr> <tr> <td>0 to 50mV</td> <td>0.00 to Signal High</td> <td>0.00</td> </tr> <tr> <td>0 to 200mV</td> <td>0.0 to Signal High</td> <td>0.0</td> </tr> <tr> <td>0 to 1.25 V</td> <td>0.00 to Signal High</td> <td>0.00</td> </tr> <tr> <td>0 to 5 V</td> <td>0.000 to Signal High</td> <td>0.000</td> </tr> <tr> <td>0 to 10 V</td> <td>0.00 to Signal High</td> <td>0.00</td> </tr> <tr> <td>1 to 5 V</td> <td>1.000 to Signal High</td> <td>1.000</td> </tr> </tbody> </table>	Input Type	Settings	Default	0 to 20mA	0.00 to Signal High	0.00	4 to 20mA	4.00 to Signal High	4.00	0 to 50mV	0.00 to Signal High	0.00	0 to 200mV	0.0 to Signal High	0.0	0 to 1.25 V	0.00 to Signal High	0.00	0 to 5 V	0.000 to Signal High	0.000	0 to 10 V	0.00 to Signal High	0.00	1 to 5 V	1.000 to Signal High	1.000
Input Type	Settings	Default																										
0 to 20mA	0.00 to Signal High	0.00																										
4 to 20mA	4.00 to Signal High	4.00																										
0 to 50mV	0.00 to Signal High	0.00																										
0 to 200mV	0.0 to Signal High	0.0																										
0 to 1.25 V	0.00 to Signal High	0.00																										
0 to 5 V	0.000 to Signal High	0.000																										
0 to 10 V	0.00 to Signal High	0.00																										
1 to 5 V	1.000 to Signal High	1.000																										
Signal High SHi	<table border="1"> <thead> <tr> <th>Input Type</th> <th>Settings</th> <th>Default</th> </tr> </thead> <tbody> <tr> <td>0 to 20mA</td> <td>20.00 to Signal Low</td> <td>20.00</td> </tr> <tr> <td>4 to 20mA</td> <td>20.00 to Signal Low</td> <td>20.00</td> </tr> <tr> <td>0 to 50mV</td> <td>50.00 to Signal Low</td> <td>50.00</td> </tr> <tr> <td>0 to 200mV</td> <td>200.0 to Signal Low</td> <td>200.0</td> </tr> <tr> <td>0 to 1.25 V</td> <td>1.250 to Signal Low</td> <td>1.250</td> </tr> <tr> <td>0 to 5 V</td> <td>5.000 to Signal Low</td> <td>5.000</td> </tr> <tr> <td>0 to 10 V</td> <td>10.00 to Signal Low</td> <td>10.00</td> </tr> <tr> <td>1 to 5 V</td> <td>5.000 to Signal Low</td> <td>5.000</td> </tr> </tbody> </table>	Input Type	Settings	Default	0 to 20mA	20.00 to Signal Low	20.00	4 to 20mA	20.00 to Signal Low	20.00	0 to 50mV	50.00 to Signal Low	50.00	0 to 200mV	200.0 to Signal Low	200.0	0 to 1.25 V	1.250 to Signal Low	1.250	0 to 5 V	5.000 to Signal Low	5.000	0 to 10 V	10.00 to Signal Low	10.00	1 to 5 V	5.000 to Signal Low	5.000
Input Type	Settings	Default																										
0 to 20mA	20.00 to Signal Low	20.00																										
4 to 20mA	20.00 to Signal Low	20.00																										
0 to 50mV	50.00 to Signal Low	50.00																										
0 to 200mV	200.0 to Signal Low	200.0																										
0 to 1.25 V	1.250 to Signal Low	1.250																										
0 to 5 V	5.000 to Signal Low	5.000																										
0 to 10 V	10.00 to Signal Low	10.00																										
1 to 5 V	5.000 to Signal Low	5.000																										
Range Low rLo	-199.9 to 999.9 (Default : 0.0)																											
Range High rHi	-199.9 to 999.9 (Default : 100.0)																											
Offset OFSt	-99.9 to 99.9 (Default : 0.0)																											

SUPERVISORY PARAMETERS : PAGE 13

Parameters	Settings (Default Value)
Control Set-point Adjustment on Operator Page SROP	dsbl Disable enbl Enable (Default : Disable)
Alarm Set-point Adjustment on Operator Page ALOP	dsbl Disable enbl Enable (Default : Disable)
Remote Acknowledge Switch rātr	dsbl Disable enbl Enable (Default : Disable)
Password For Resetting Min/Max code	1 to 9999 (Default : 0)
Baud Rate BAUD	48 4800 96 9600 192 19200 384 38400 576 57600 (Default : 9.6)
Parity PARi	none None Even Even Odd Odd (Default : Even)
Device Slave ID id	1 to 127 (Default : 1)
Serial Write Permission CoñE	no No yes Yes (Default : No)

RECORDER (RETRANSMISSION) PARAMETERS PAGE 15

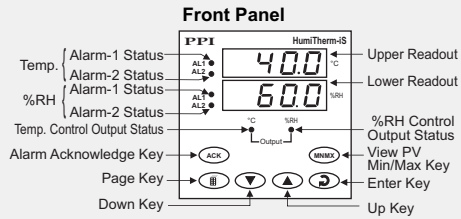
Parameters	Settings (Default Value)
Select Channel SEL	TC Temp rh Humidity (Default : Temp)
Recorder Output Type RECo	0-20 0 - 20mA 4-20 4 - 20mA 0-5 0 - 5 V 0-10 0 - 10 V (Default : 4 - 20mA)

Parameters	Settings (Default Value)
Recorder Low RECL	Input Type Minimum Range to Input Type Maximum Range (Default : 0.0)
Recorder High RECH	Input Type Minimum Range to Input Type Maximum Range (Default : 100.0)

TABLE- 1

Option	Range (Min. to Max.)	Resolution
rtD 3-wire, RTD Pt100	-199.9 to +600.0°C	0.1 °C
0-20 0 to 20mA DC current	-199.9 to 999.9 units	0.1 units
4-20 4 to 20mA DC current		
0050 0 to 50mV DC voltage		
0200 0 to 200mV DC voltage		
125 0 to 1.25V DC voltage		
50 0 to 5.0V DC voltage		
100 0 to 10.0V DC voltage		
1-5 1 to 5.0V DC voltage		

FRONT PANEL LAYOUT



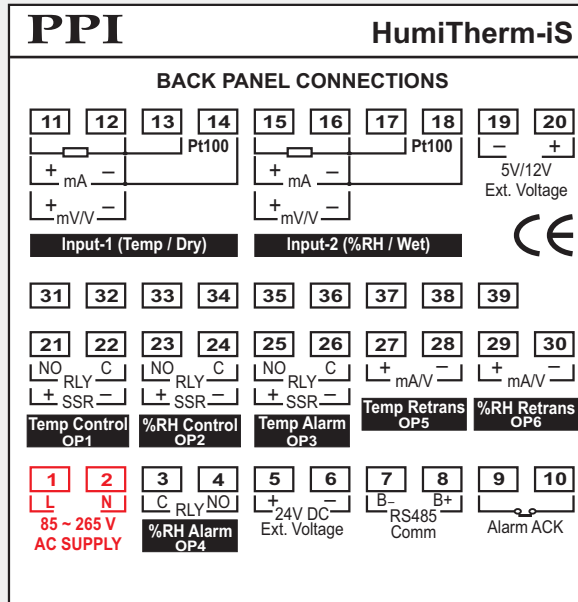
Keys Operation

Symbol	Key	Function
	PAGE	Press to enter or exit set-up mode.
	DOWN	Press to decrease the parameter value. Pressing once decreases the value by one count; keeping pressed speeds up the change.
	UP	Press to increase the parameter value. Pressing once increases the value by one count; keeping pressed speeds up the change.
	ENTER	Press to store the set parameter value and to scroll to the next parameter on the PAGE.
	ALARM ACKNOWLEDGE	Press to acknowledge any pending Alarm(s). This also turns-off the Alarm relay.
	PV MIN/MAX	Press to view minimum & maximum process values of Temperature RH

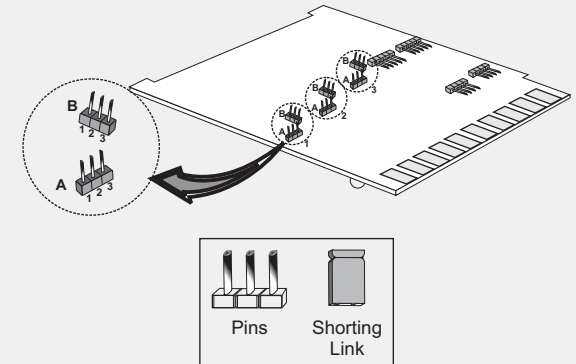
PV Error Indications

Message	PV Error Type
	Over-range (Dry Bulb Temperature above Max. Range)
	Under-range (Dry Bulb Temperature below Min. Range)
	Open (Dry Bulb Sensor (RTD) Broken / Open)

ELECTRICAL CONNECTIONS

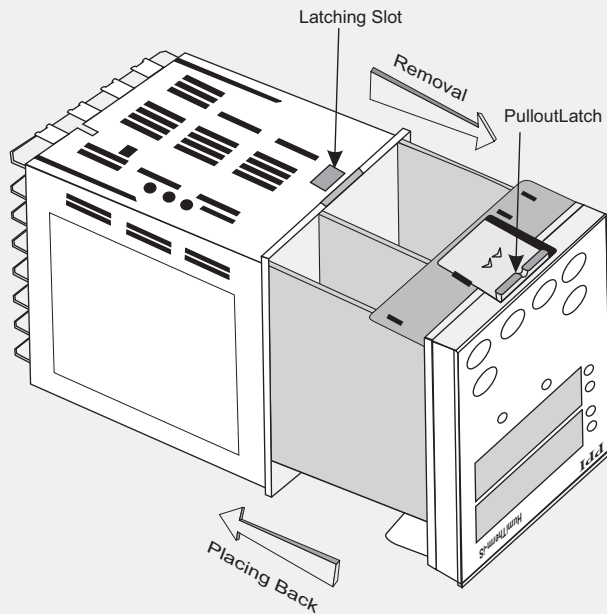


JUMPER SETTINGS

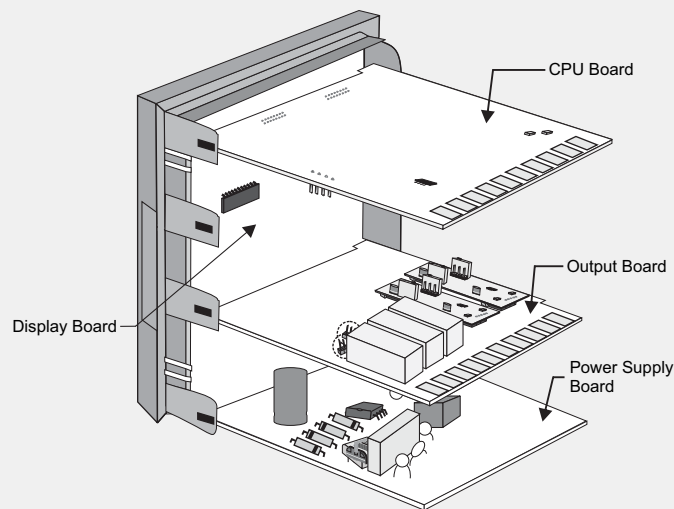


Output Type	Jumper Setting - A	Jumper Setting - B
Relay		
SSR		

ENCLOSURE ASSEMBLY



MOUNTING DETAILS



MOUNTING DETAILS SERIAL COMM. MODULE

