



Features

- Jumper-less Selectable J/K Thermocouples & RTD Pt100 Inputs
- Programmable Input Signal Conditioning (Digital Filter & Zero Offset)
- Self Tune PID or On-Off Control
- Heat (Reverse) or Cool (Direct) Control Mode
- Relay & SSR Control Output Versions
- In-built Programmable Timer with Front / Remote Start
- Auxiliary Control : Blower / Alarm / Compressor with Time Delay
- DIN Standard Dimensions (mm) : 48(H) X 48(W) X 85(D), 72(H) X 72(W) X 65(D), 96(H) X 96(W) X 65(D)

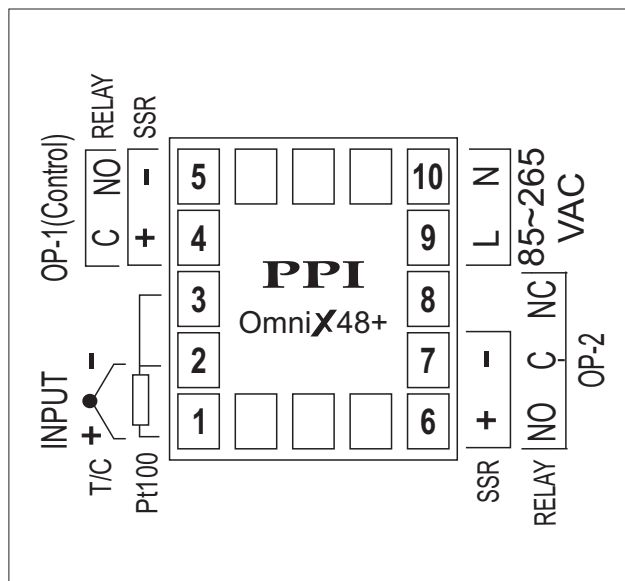
Specifications

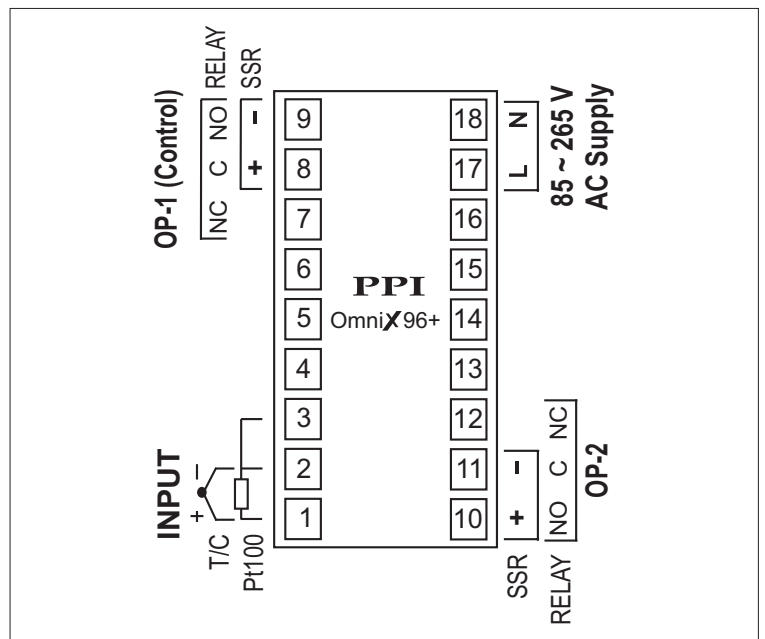
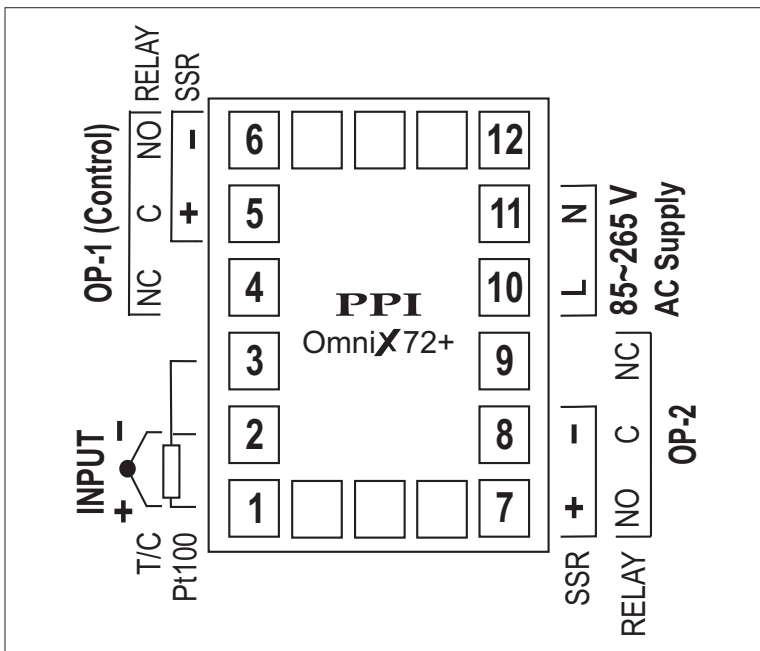
Display	
Digital Readout	OmniX48+ : Upper Readout : 4 digits, 0.32" Bright Red LED, 7 Segment Lower Readout : 4 digits, 0.32" Bright Green LED, 7 Segment OmniX72+ : Upper Readout : 4 digits, 0.39" Bright Red LED, 7 Segment Lower Readout : 4 digits, 0.39" Bright Green LED, 7 Segment OmniX96+ : Upper Readout : 4 digits, 0.8" Bright Red LED, 7 Segment Lower Readout : 4 digits, 0.5" Bright Green LED, 7 Segment
Status Indicator	3 Red LED (3mm Round)
Keys	
Type	4 Tactile Switches
Functions	PAGE, DOWN, UP, ENTER
Sensor Input	
Type (User Programmable)	Thermocouple : J, K RTD Pt100, 3-Wire
Corrections	<ul style="list-style-type: none"> • In-built Cold-Junction Compensation for Thermocouples • In-built Lead Resistance Compensation for RTD (Up to 22Ω in each lead)

Accuracy	± 0.25% of reading ± 1°C
Range & Resolution	J Type TC Range : 0 to +960°C Resolution : 1°C Fixed K Type TC Range : -200 to +1376°C Resolution : 1°C Fixed RTD Pt100 Range : -199 to +600°C Resolution : 0.1/1°C Selectable
ADC	16 Bit (±32,768 Counts), Sigma-Delta (ΣΔ)
Sampling Time	200mS (5 Samples per Second)
Input Resistance	> 1 MOhm
CMR	> 100dB at 50/60 Hz
Signal Conditioning	R-C Analog Filter with Programmable Digital Low-Pass Filter
Zero Offset	User Adjustable over Full Range
Alarms	
Numbers	1
Programmable Parameters	Type : Process Low, Process High, Deviation, Window, End-of-Soak Logic : Normal, Reverse Hysteresis : 1 to 999 Unit Counts Inhibit : No, Yes
Output	Output-2 (OP-2) Relay Change-over Contacts or SSR Drive can be Configured as Alarm Output
Auxiliary Control	
Control Type	Second Setpoint or Blower / Compressor Setpoint
Control Parameters	Second Setpoint : Hysteresis, Control Logic Blower / Compressor : Hysteresis, Time Delay
Output	Output-2 (OP-2) Relay Change-over Contacts or SSR Drive can be Configured as Auxiliary Control Output
Main Control	
Type	ON-OFF or Self Tune PID
Mode	Heat only, Cool only
Control Parameters	• ON-OFF : Hysteresis • Self Tune PID : Proportional Band, Integral Time, Derivative Time, Cycle Time, Power Low, Power High, Overshoot Inhibit
Output	Output-1 (OP-1) Relay Change-over Contacts or SSR Drive
Programmable Timer	
Operation Mode	Free Running or Soak at Setpoint with Hold Band
Range	5 Seconds to 999 Hours
Power-fail Recovery	Resume, Reset, Abort
Output	Output-2 (OP-2) Relay Change-over Contacts or SSR Drive can be Configured as End-of-Soak Alarm Output

Outputs	
Relay	Contact Type : Potential-free Change-over Contacts Contact Rating : 5A Resistive @ 120/240 Vac Contact Life : > 5,00,000 Operations at Rated Voltage / Current
SSR Drive	≅ 12 VDC @ 40 mA
Power Supply	
Type	Switch Mode (SMPS)
Line Voltage	85~264 VAC/VDC, 50/60Hz
Consumption	5VA Max
Physical	
Mounting	Plug-in with Panel Mounting Clamps
Overall Dimensions (mm)	OmniX48+ : 48(H) X 48(W) X 85(D) OmniX72+ : 72(H) X 72(W) X 65(D) OmniX96+ : 96(H) X 96(W) X 65(D)
Panel Cutout (mm)	OmniX48+ : 45(H) X 45(W) OmniX72+ : 68(H) X 68(W) OmniX96+ : 92(H) X 92(W)
Terminals	Screw Type
Weight	400gm, Max.
Environmental	
Operating Ambient	0~55°C & 5~90%RH Non-condensing
EMC Standards	EN50081-2 & EN 50082-2 Generic Stds for Industrial Environment
Atmospheres	Not Suitable for use in Corrosive or Explosive Atmospheres. The Panel in which the Instrument is Mounted must be free of Electrically Conductive Pollution.

Back Panel Terminations





Ordering Code

Input*		Output 1		Output 2		Power Supply		Size	
JK	J/K Thermocouple	1	Relay	1	Relay	0	85~264 VAC	48	OmniX48+
PT	RTD Pt100	2	SSR Drive	2	SSR Drive			72	OmniX72+
								96	OmniX96+

Example Code **JK - 2 - 1 - 0 - 48**

J/K Thermocouple Input, Output-1 SSR Drive, Output-2 Relay, 85~264 VAC Supply, 48 X 48 Size.

* Input type is user programmable. The ordering code only implies the factory settings at the time of dispatch.