



Features

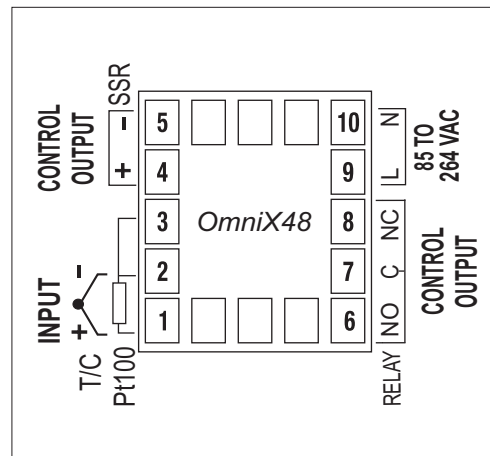
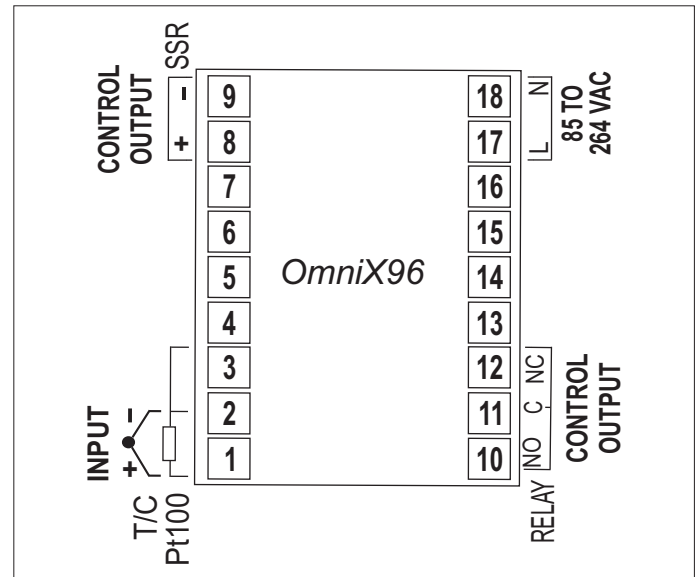
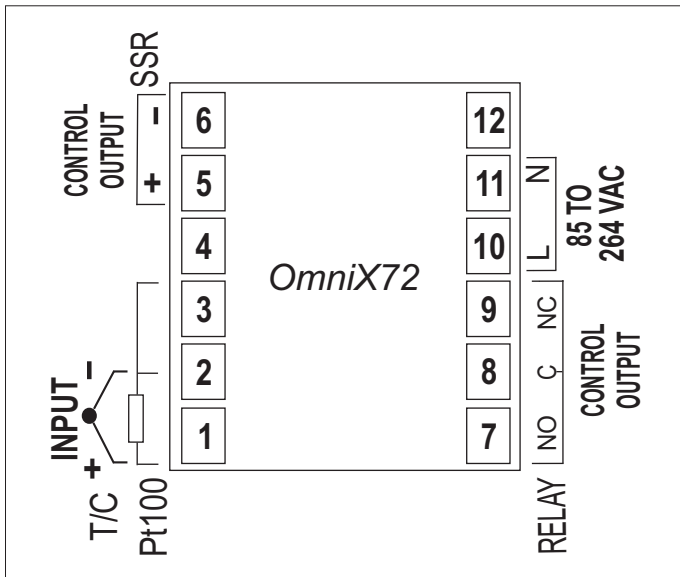
- Dual Row 4 Digit Display
- User Selectable Inputs : J/K, RTD Pt100
- Programmable Input Signal Conditioning (Digital Filter & Zero Offset)
- Self Tune PID or On-Off Control
- Overshoot Inhibit Feature
- Programmable Heat / Cool Control Mode
- Relay & SSR Drive Control Output
- Sizes (mm) : OmniX 48 : 48(H) X 48(W) X 85(D)
OmniX 72 : 72(H) X 72(W) X 65(D)
OmniX 96 : 96(H) X 96(W) X 65(D)

Specifications

Display	
Digital Readout	4 digits, 0.3" Bright Red LED, 7 Segment (OmniX48) 4 digits, 0.5" Bright Red LED, 7 Segment (OmniX72 and OmniX96)
Status Indicator	Red LED (3mm Round)
Keys	
Type	4 Tactile Switches
Functions	PAGE, DOWN, UP, ENTER
Sensor Input	
Type (User Programmable)	Thermocouple : J, K RTD Pt100, 3 wire
Corrections	<ul style="list-style-type: none"> • In-built Cold-Junction Compensation for Thermocouples • In-built Lead Resistance Compensation for RTD (Upto 22 Ohms in each lead)

Accuracy	± 0.25% of reading ± 1°C
Display Resolution (User Programmable)	Thermocouples : 1°C Fixed RTD Pt100 : 0.1 / 1°C
ADC	16 Bit (±32,768 Counts), Sigma-Delta (ΣΔ)
Sampling Time	200mS (5 Samples per Second)
Input Resistance	> 1 MOhm
CMR	> 100dB at 50/60 Hz
Signal Conditioning	R-C Analog Filter
Zero Offset	User Adjustable over Full Range
Control	
Type	Self Tune PID
Mode	Heat (Reverse), Cool (Direct)
Control Parameters	Proportional Band, Integral Time, Derivative Time, Cycle Time, Overshoot Inhibit
Outputs	
Relay	Contact Type : Potential-free Change-over Contacts Contact Rating : 10 A Resistive @ 120/240 VAC Contact Life : > 5,00,000 Operations at Rated Voltage / Current
SSR Drive	> 11.2 VDC / 40 mA max.
Power Supply	
Type	Switch Mode (SMPS)
Line Voltage	85~264 VAC/VDC, 50/60Hz
Consumption	5VA Max
Physical	
Mounting	Plug-in with Panel Mounting Clamps
Panel Cutout (mm)	OmniX48 : 45(H) X 45(W) OmniX72 : 68(H) X 68(W) OmniX96 : 92(H) X 92(W)
Terminals	Screw Type
Weight	225gm, Appx.
Environmental	
Operating Ambient	0~55°C & 5~90%RH Non-condensing
EMC Standards	EN50081-2 & EN 50082-2 Generic Stds for Industrial Environment
Atmospheres	Not Suitable for use in Corrosive or Explosive Atmospheres. The Panel in which the Instrument is Mounted must be free of Electrically Conductive Pollution.

Back Panel Terminations



Ordering Code

Input	
JK	J/K Thermocouple
PT	RTD Pt100

Output	
1	Relay
2	SSR Drive

Power Supply	
0	85~264 VAC

Size	
44	OmniX48
77	OmniX72
99	OmniX96

Example Code

JK - 2 - 0 - 44

J/K Thermocouple Input, Output SSR Drive, 85~264 VAC Supply, 48 X 48 Size.