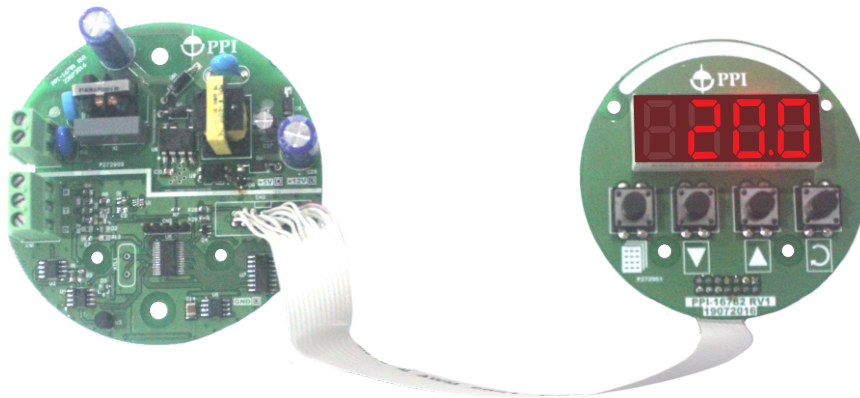


Features

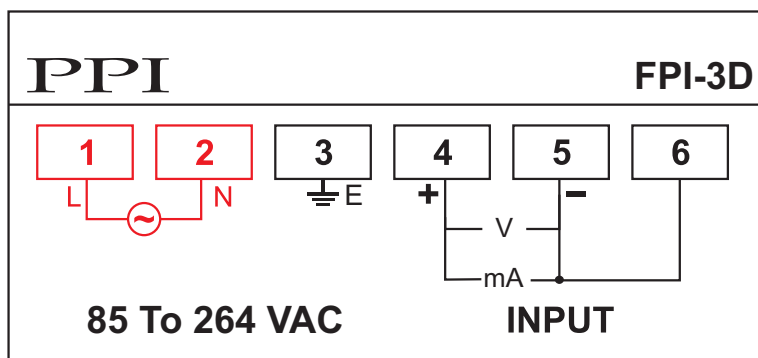
- Flame Proof Enclosure, Gas Group IIA, IIB
- DC Linear Voltage / Current Input
- 2 nos. 3/4" ET cable glands
- Parameter setting (Calibration Offset, Input selection etc.) through Internal Keys
- CE Certified as EC directives for LVD & EMC
- Resolution Settable as : 1, 0.1, 0.01
- Over Range / Under Range / Sensor Break-Open Indication



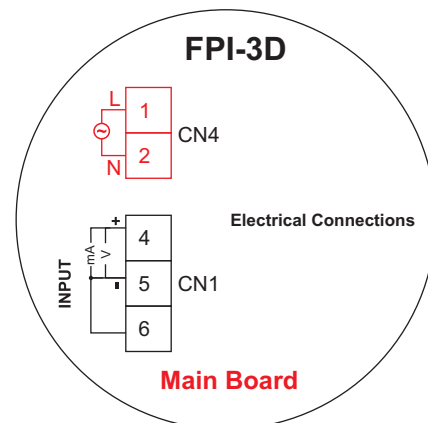
Specifications

Input - Output Configuration	
Display	4 digits, 0.56" height
Input Version	(Settable) DC Linear Voltage / Current
SMPS	Universal Supply 85~264 VAC
Size (mm)	Enclosure Size : 240(H) X 140(W) X 90(D) PCB Sizes : 80X80 (Display Board) and 90X90 (Main Board)

Electrical Connections



(a) If ordered with Flame Proof Enclosure



(b) If ordered without Flame Proof Enclosure