

neuro 100 Z

Enhanced Range (-19999 to +99999)
Universal Process Indicator

Operation Manual

This brief manual is primarily meant for quick reference to wiring connections and parameter searching. For more details on operation and application; please log on to www.ppiindia.net

101, Diamond Industrial Estate, Navghar,
Vasai Road (E), Dist. Palghar - 401 210.
Sales : 8208199048 / 8208141446
Support : 07498799226 / 08767395333
E: sales@ppiindia.net, support@ppiindia.net

Jan 2022

OPERATOR PAGE AND PARAMETERS : PAGE 0	
Parameters	Settings (Default Value)
Alarm-1 Setpoint R1SP	Throughout the range for the selected Input Type. (Default : For Process Low : -200.0 For Process High : 1376.0)
Alarm-2 Setpoint R2SP	
Alarm-3 Setpoint R3SP	
Alarm-4 Setpoint R4SP	

ALARM PARAMETERS : PAGE 10	
Parameters	Settings (Default Value)
Alarm Number ALrn	1 to 4 (Default : 1)
Alarm Type TYPE	none None P.Lo Process Low P.Hi Process High (Default : None)
Alarm Setpoint SP	-19999 to +99999 Counts (Default : 0)
Alarm Hysteresis HYST	1 to +30000 Counts (Default : 2 Counts)
Alarm Inhibit ihbt	no No yes Yes (Default : No)
Alarm Logic LOG	norm Normal rev Reverse (Default : Normal)
Alarm Latch LACH	no No yes Yes (Default : No)

RETRANSMISSION PARAMETERS : PAGE 11	
Parameters	Settings (Default Value)
Recorder Output Type RECOT	0-20 0 to 20mA 4-20 4 to 20mA 0-5 0 to 5 Volts 0-10 0 to 10 Volts (Default : 0 to 20mA)
Recorder Low RECL	Min. to Max.Counts (Default : 0 Counts)
Recorder High RECH	Min. to Max.Counts (Default : 10000 Counts)

INPUT CONFIGURATION PARAMETERS : PAGE 12	
Parameters	Settings (Default Value)
Input Type INPT	Refer Table 2 (Default : 0-20mA)
Resolution rSLn	Refer Table 2 (Default : 0.1)
Units Unit	Refer Table 1 (Default : EU)
PV Range Low rLo	-19999 to +99999 (Default : 0.0)
PV Range High rHi	-19999 to +99999 (Default : 1000.0)
Offset OFSt	For DC Lin. Volts/Current -19999 to +99999 Counts (Default : 0)
Digital Filter FILT	0.5 to 60.0 Seconds (in steps of 0.5 Seconds) (Default : 2.0 sec.)

SUPERVISORY PARAMETERS : PAGE 13	
Parameters	Settings (Default Value)
Alarm SP Adjustment on Operator Page ALSP	dsbl Disable enbl Enable (Default : Disable)
Remote Acknowledge Switch rnt	dsbl Disable enbl Enable (Default : Disable)
Recorder rEC	dsbl Disable enbl Enable (Default : Disable)
Baud Rate bAUD	48 4800 96 9600 192 19200 384 38400 576 57600 (Default : 9.6)
Parity PARi	none None EVEN Even ODD Odd (Default : Even)
Serial ID Number id	1 to 127 (Default : 1)
Serial Write Permission ConE	no No yes Yes (Default : No)

TABLE-1	
Lower Readout	Units
0C	°C
0F	°F
0K	Kelvin
EU	Engineering Units
PERC	Percentage
PA5	Pascals
nPA5	Mpascals
KPA5	Kpascals
bAR	Bar
nBAR	Milli bar
PSI	PSI
PUCn	kg/sq cm
nnyu	mm water gauge
inyu	Inches water gauge
nnyh	mm mercury
torr	Torr
L-H	Litres per hour
L-n	Litres per minute
PO2	% O2
PCO2	% CO2
PCP	% Carbon Potential
volt	volts
ANP	Amps
nA	Milli amps
nV	Milli Volts
Ohn	Ohms
PPn	Parts per million
rPn	Revolutions per minute
n-S	Milli seconds
SEC	Seconds
n:n	Minutes
hrs	Hours
PH	PH
PPH	%PH
nPH	Miles per hour
nG	Milli grams
GRA	Grams
KG	Kilo grams

TABLE-2		
Option	Range (Min. to Max.)	Resolution
0-20 0 to 20mA DC	-19999 to +99999 units	User settable 1 / 0.1 / 0.01 / 0.001 units
4-20 4 to 20mA DC		
0050 0 to 50mV DC		
0200 0 to 200mV DC		
125 0 to 1.25V DC		
5.0 0 to 5.0V DC		
100 0 to 10.0V DC		
1-5 1 to 5.0V DC		

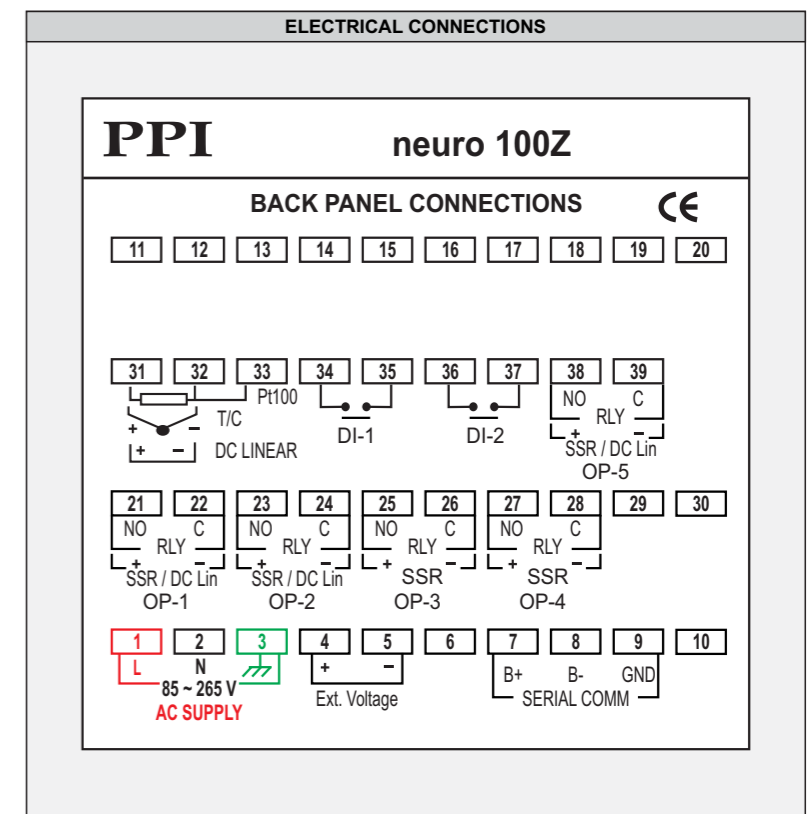
FRONT PANEL LAYOUT

Keys Operation

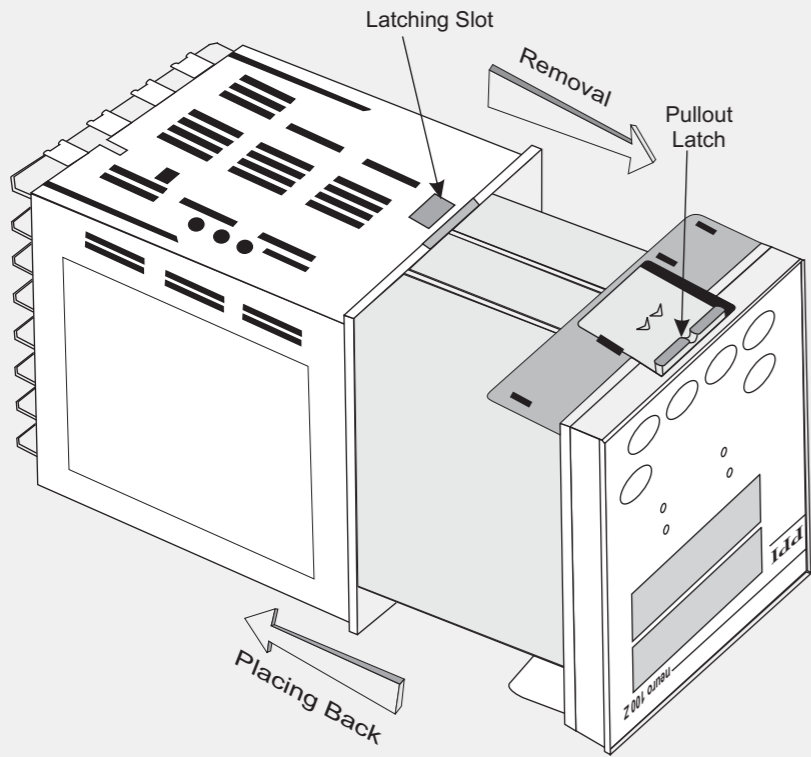
Symbol	Key	Function
[Grid]	PAGE	Press to enter or exit set-up mode.
[Down Arrow]	DOWN	Press to decrease the parameter value. Pressing once decreases the value by one count; keeping pressed speeds up the change.
[Up Arrow]	UP	Press to increase the parameter value. Pressing once increases the value by one count; keeping pressed speeds up the change.
[Enter]	ENTER	Press to store the set parameter value and to scroll to the next parameter on the PAGE.
[ACK]	ALARM ACKNOWLEDGE	Press to acknowledge any pending Alarm(s). This also turns-off the Alarm relay.
[OPR]	OPERATOR PAGE	Press to access 'Operator-Page' parameters. <i>(The parameters are listed and described in section 2 : Basic Operations)</i>

PV Error Indications

Message	PV Error Type
Or	Over-range (PV above Max. Range)
Ur	Under-range (PV below Min. Range)



ENCLOSURE ASSEMBLY

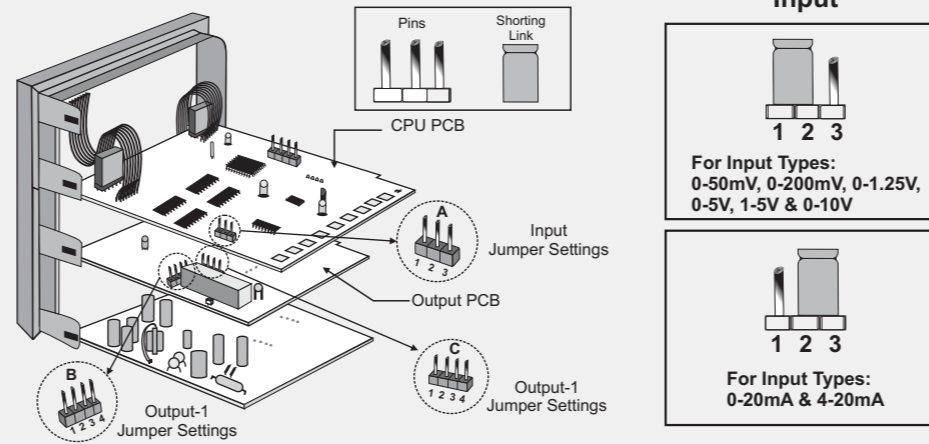


JUMPER SETTINGS

OUTPUT-1

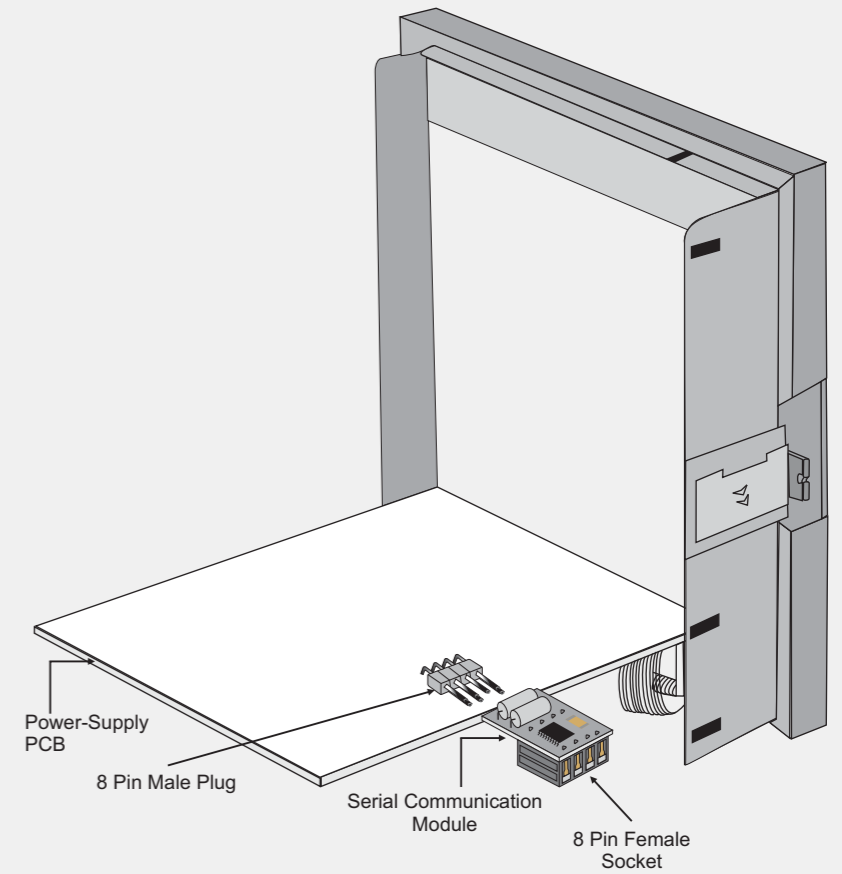
OUTPUT-1

Output Type	Jumper Setting - B	Jumper Setting - C
Relay		
SSR Drive		



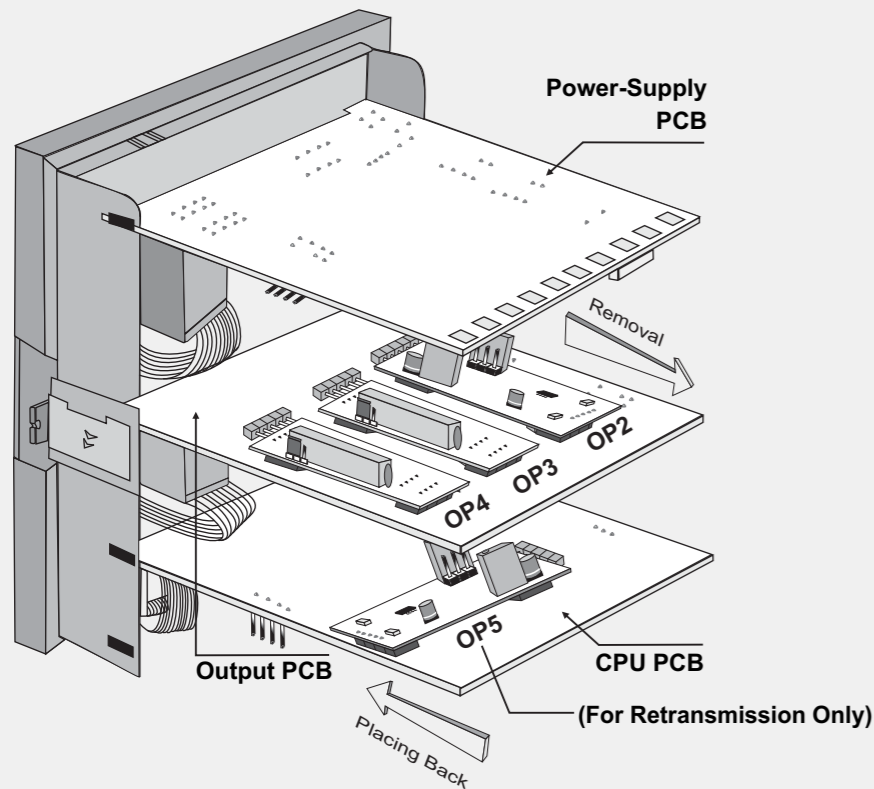
MOUNTING DETAILS

SERIAL COMM. MODULE

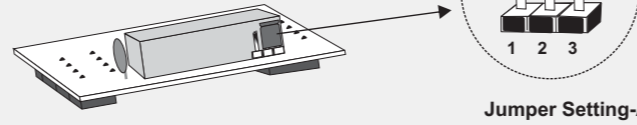


MOUNTING DETAILS

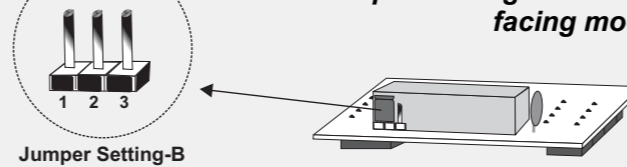
OUTPUT MODULE



Jumper Setting 'A' - Viewed facing module



Jumper Setting 'B' - Viewed facing module



Output Type	Jumper Setting - A	Jumper Setting - B
Relay		
SSR		

