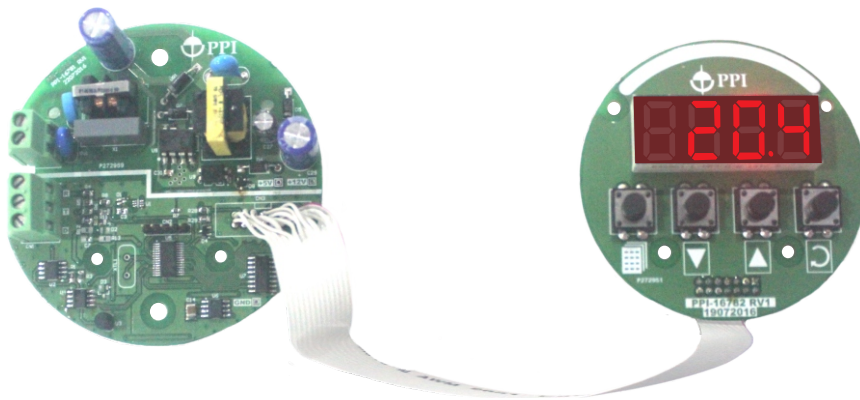


#### Features

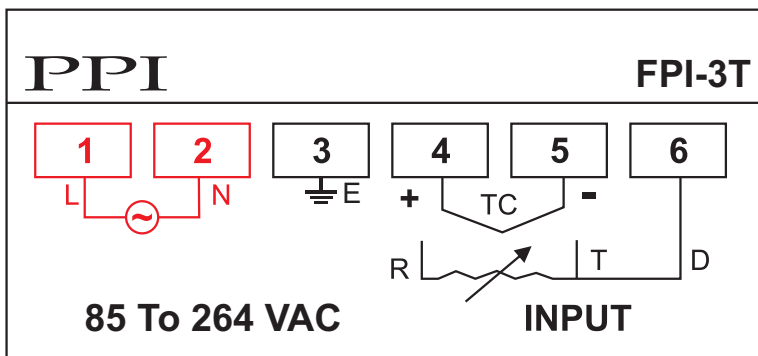
- Flame Proof Enclosure, Gas Group IIA , IIB
- Selectable Inputs: RTD Pt100, J type Thermocouple K Type Thermocouple
- 2 nos. 3/4" ET cable glands
- Parameter setting (Calibration Offset, Input selection etc..) through Internal Keys
- CE Certified as EC directives for LVD & EMC
- Resolution : 1°C for Thermocouple & 0.1°C for RTD
- Over Range / Under Range / Sensor Break-Open Indication



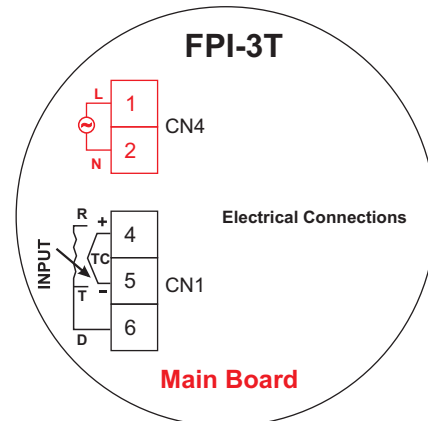
#### Specifications

Input - Output Configuration	
Display	4 digits, 0.56" height
Input Version	(Settable) RTD Pt100, J/K Thermocouple
SMPS	Universal Supply 85~264 VAC
Size (mm)	Enclosure Size: 240(H) X 140(W) X 90(D) PCB Size : 80X80 (Display Board) and 90X90 (Main Board)

#### Electrical Connections



(a) If ordered with Flame Proof Enclosure



(b) If ordered without Flame Proof Enclosure