

INPUT / OUTPUT CONFIGURATION PARAMETERS : PAGE-12

Parameters	Settings (Default Value)
Input Type <code>InPt</code>	Refer Table 1 (Default : Type K)
Offset For Measured Temperature <code>OFSt</code>	-1999 to 9999 or -199.9 to 999.9 (Default : 0)
Digital Filter For Pv <code>Flt</code>	0.5 to 25.0 Seconds (in steps of 0.5 Seconds) (Default : 1.0)

ALARM PARAMETERS : PAGE-11

Parameters	Settings (Default Value)
Alarm-1 Type <code>A1CL</code>	<code>nonE</code> None
Alarm-2 Type <code>A2CL</code>	<code>P_Lo</code> Process Low <code>P_Hi</code> Process High (Default : None)
Alarm-1 Hysteresis <code>A1HY</code>	1 to 999 (Default : 2)
Alarm-2 Hysteresis <code>A2HY</code>	
Alarm-1 Logic <code>A1LG</code>	<code>norm</code> Normal
Alarm-2 Logic <code>A2LG</code>	<code>rev</code> Reverse (Default : Normal)
Alarm-1 Inhibit <code>A1h</code>	<code>YES</code> Yes
Alarm-2 Inhibit <code>A2h</code>	<code>no</code> No (Default : Yes)

TABLE 1

Option	What it means	Range (Min. to Max.)	Resolution
<code>tC-J</code>	Type J Thermocouple	0 to +960°C	1
<code>tC-K</code>	Type K Thermocouple	-200 to +1375°C	1
<code>rtd</code>	3-wire, RTD Pt100	-199 to +600°C	1
<code>rtd.i</code>	3-wire, RTD Pt100	-199.9 to +600.0°C	0.1

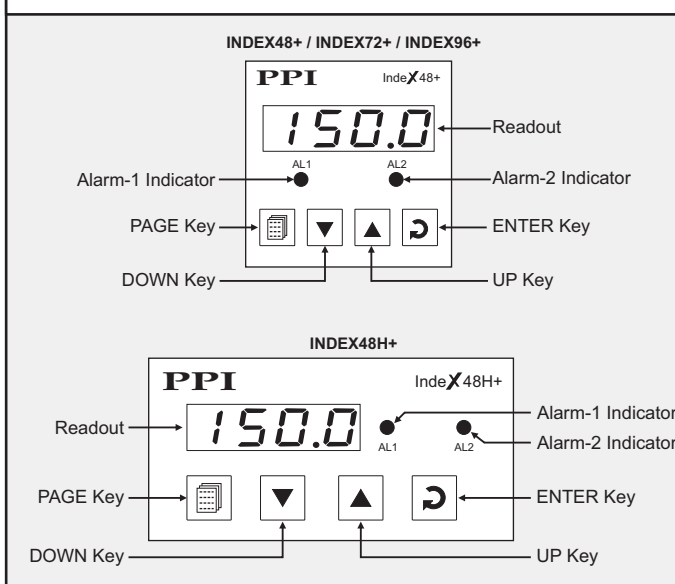
PV MIN / MAX PARAMETERS : PAGE-1

Parameters	Settings (Default Value)
Maximum Process Value <code>Hi</code>	View Only
Minimum Process Value <code>Lo</code>	View Only
Reset Min / Max Process Value <code>rSt</code>	<code>YES</code> Yes <code>no</code> No (Default : Yes)

OPERATOR PARAMETERS : PAGE-0

Parameters	Settings (Default Value)
Alarm-1 Setpoint <code>A1SP</code>	Minimum to Maximum Range specified for the selected Input type
Alarm-2 Setpoint <code>A2SP</code>	

FRONT PANEL LAYOUT



Keys Operation

Symbol	Key	Function
	PAGE	Press to enter or exit set-up mode.
	DOWN	Press to decrease the parameter value. Pressing once decreases the value by one count; holding pressed speeds up the change.
	UP	Press to increase the parameter value. Pressing once increases the value by one count; holding pressed speeds up the change.
	ENTER	Press to store the set parameter value and to scroll to the next parameter on the PAGE.

PV Error Indications

Message	PV Error Type
<code>Or</code>	Over-range (PV above Max. Range)
<code>Ur</code>	Under-range (PV below Min. Range)
<code>OPEN</code>	Open (Thermocouple / RTD broken)

ELECTRICAL CONNECTIONS

