



### Features

- 4 Digit Bright Red 7 Segment Digital Readout
- User Selectable Inputs : J/K Thermocouples, RTD Pt100
- Programmable Input Signal Conditioning (Digital Filter & Zero Offset)
- Facility to View & Store Min / Max Process Value
- 2 Programmable Alarms with Relay Outputs
- Sizes (mm) : **Index 48+** : 48(H) X 48(W) X 85(D)  
**Index 48H+** : 48(H) X 96(W) X 65(D)  
**Index 72+** : 72(H) X 72(W) X 65(D)  
**Index 96+** : 96(H) X 96(W) X 65(D)

### Specifications

Display	
Digital Readout	4 digits, 0.39" bright Red LED, 7 Segment (Index48+, Index48H+ & Index72+) 4 digits, 0.80" bright Red LED, 7 Segment (Index96+)
Status Indicators	2 Red LEDs (3mm Round), Alarm-1 & Alarm-2 Status
Keys	
Type	4 Tactile Switches
Functions	PAGE, DOWN, UP, ENTER
Sensor Input	
Type	J (0 to 960°C), K (-200 to 1375°C) Pt100 (-199 to 600°C), Pt100 (-199.9 to 600.0°C)
Accuracy	±0.25% of reading, ±1 LSD, ±1°C
Correction	In-built Automatic Cold Junction Compensation In-built Lead Resistance Compensation

ADC	16 Bit ( $\pm 32,768$ Counts), Sigma-Delta ( $\Sigma\Delta$ )
Sampling Time	200mS (5 Samples per Second)
Input Resistance	> 8 MOhm
CMR	> 100dB at 50/60 Hz
Signal Conditioning	L-C Analog Filter & Programmable Digital Filter
Zero Offset	User Adjustable over Full Range

### Alarms

Numbers	2, Independent
Type	Settable as : Process Low, Process High
Logic	Settable as : Normal, Reverse
Output-1 (For Alarm-1)	Relay Change-over Contacts rated 7A/230VAC, Resistive Load
Output-2 (For Alarm-2)	Relay Change-over Contacts rated 7A/230VAC, Resistive Load

### Power Supply

Type	Switch Mode (SMPS)
Line Voltage	85~264 VAC, 50/60Hz
Consumption	5VA Max

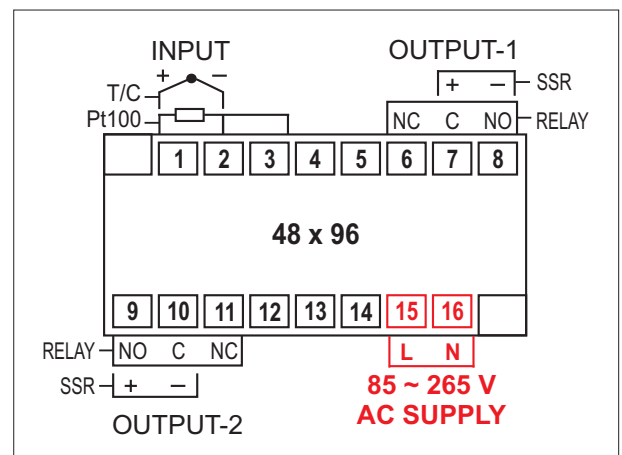
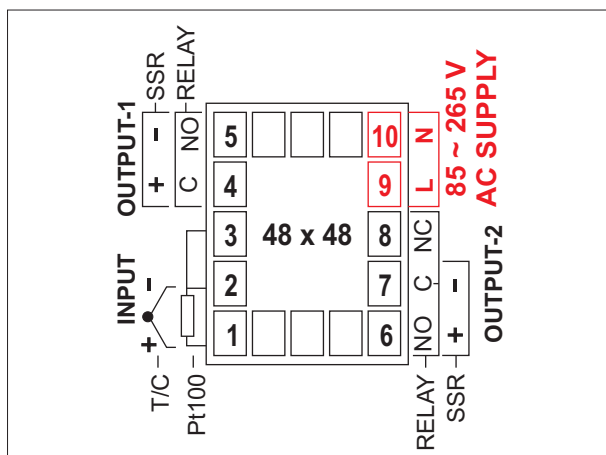
### Physical

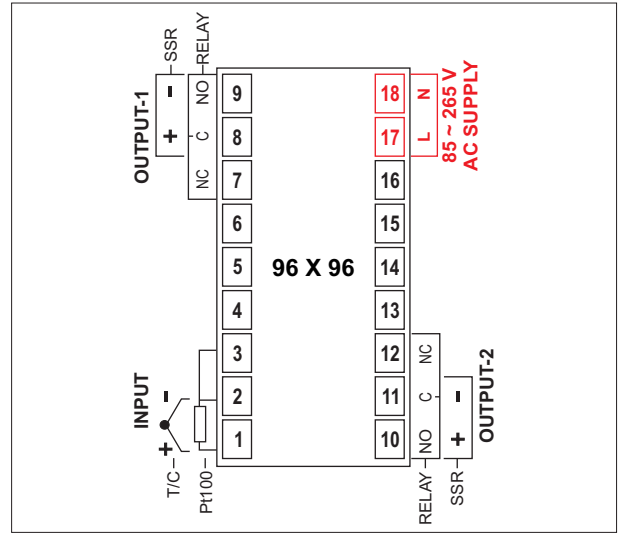
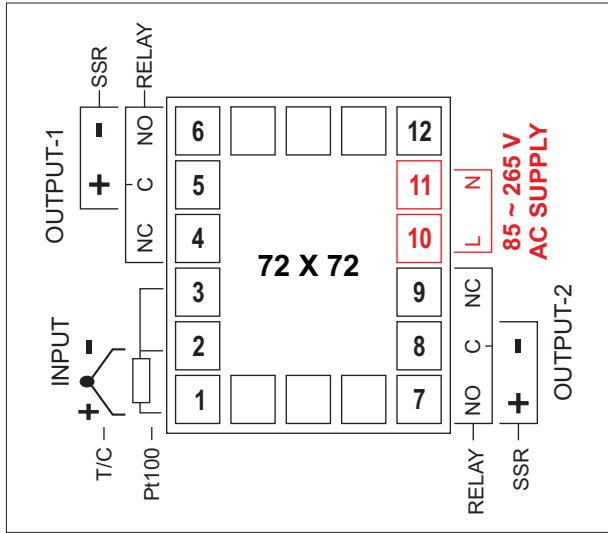
Mounting	Plug-in with Panel Mounting Clamps
Panel Cutout (mm)	<b>Index48+</b> : 45(H) X 45(W) <b>Index48H+</b> : 45(H) X 92(W) <b>Index72+</b> : 68(H) X 68(W) <b>Index96+</b> : 92(H) X 92(W)
Terminals	Screw Type
Weight	225gm, Appx.

### Environmental

Operating Ambient	0~55°C & 5~90%RH Non-condensing
EMC Standards	EN50081-2 & EN 50082-2 Generic Stds for Industrial Environment
Atmospheres	Not Suitable for use in Corrosive or Explosive Atmospheres. The Panel in which the Instrument is Mounted must be free of Electrically Conductive Pollution.

## Back Panel Terminations





## Ordering Code

Index Plus	Size		Output-1		Output-2		Power Supply	
	Index	Size	Index	Output	Index	Output	Index	Power Supply
44	48 X 48	0	None	0	None	0	85~264 VAC	
49	48 X 96	1	Relay	1	Relay			
77	72 X 72	2	SSR Drive	2	SSR Drive			
99	96 X 96							

### Example Code **Index Plus - 44 - 1 - 0 - 0**

48 X 48 Size, Output-1 : Relay, Output-2 : None, 85~264 VAC Supply.