

INPUT CONFIGURATION PARAMETERS	
Parameters	Settings (Default Value)
Input Type	Refer Table -1 (Default : 0 to 20mA)
Time base	Second Minute Hour (Default : Seconds)
Resolution	Refer Table -1 (Default : 0)
PV Range Low	Refer Table -1 (Default : 0)
PV Range High	Refer Table -1 (Default : 1000)
User Offset	-19999 to 30000 (Default : 0)
Filter Constant	0.0 to 60.0 (Default : 0.5 sec.)
Minimum Scale Activation	Disable Enable (Default : Disable)
Minimum Scale Value	0 to Max. Scale (Default : 0)
Maximum Scale Activation	Disable Enable (Default : Disable)
Maximum Scale Value	Min. Scale to 30000 (Default : 0)
Square Root Value	Disable Enable (Default : Disable)
Scan Rate	Slow Medium Fast (Default : Fast)

USER LINEARISATION PARAMETERS	
Parameters	Settings (Default Value)
User Linearisation Activation	Disable Enable (Default : Disable)
Total Points	1 to 32 (Default : 2)
Points Number	1 to Max. Selected (Default : 1)
Actual Point	-19999 to 30000 (Default : 0)
Derived Point	-19999 to 30000 (Default : 0)

FLOW ALARM PARAMETERS	
Parameters	Settings (Default Value)
Alarm-1 Type	None Process Low Process High (Default : None)
Alarm-1 Setpoint	0 to 30000 (Default : For Process Low : 0, For Process High : 1000)
Alarm-1 Hysteresis	1 to 30000 (Default : 2)
Alarm-1 Inhibit	No Yes (Default : No)
Alarm-1 Logic	Normal Reverse (Default : Normal)
Alarm-1 Latch	Disable Enable (Default : Disable)
Alarm-2 Type	None Process Low Process High (Default : None)

Parameters	Settings (Default Value)
Alarm-2 Setpoint	0 to 30000 (Default : For Process Low : 0, For Process High : 1000)
Alarm-2 Hysteresis	1 to 30000 (Default : 2)
Alarm-2 Inhibit	No Yes (Default : No)
Alarm-2 Logic	Normal Reverse (Default : Normal)
Alarm-2 Latch	Disable Enable (Default : Disable)

TOTAL ALARM PARAMETERS	
Parameters	Settings (Default Value)
Alarm-1 Activation	Disable Enable (Default : Disable)
Alarm-1 Set Point	0 to 99999999 (Default : 5000000)
Alarm-1 Extension Set Point	0 to 125 (Default : 0)
Alarm-1 Logic	Normal Reverse (Default : Normal)
Alarm-1 Time	0 to 125 (Default : 0)

RETRANSMISSION PARAMETERS	
Parameters	Settings (Default Value)
Retransmission Output Type	0 to 20 mA 4 to 20 mA 0 to 5 Volts 0 to 10 Volts (Default : 0 to 20 mA)
Low Range	-19999 to 30000 (Default : 0)
High Range	-19999 to 30000 (Default : 1000)

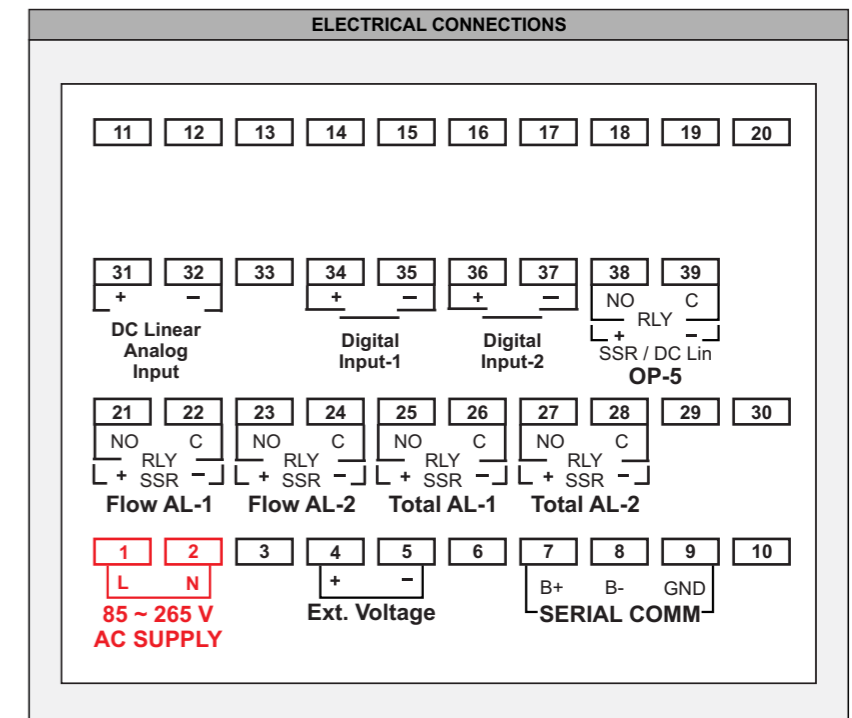
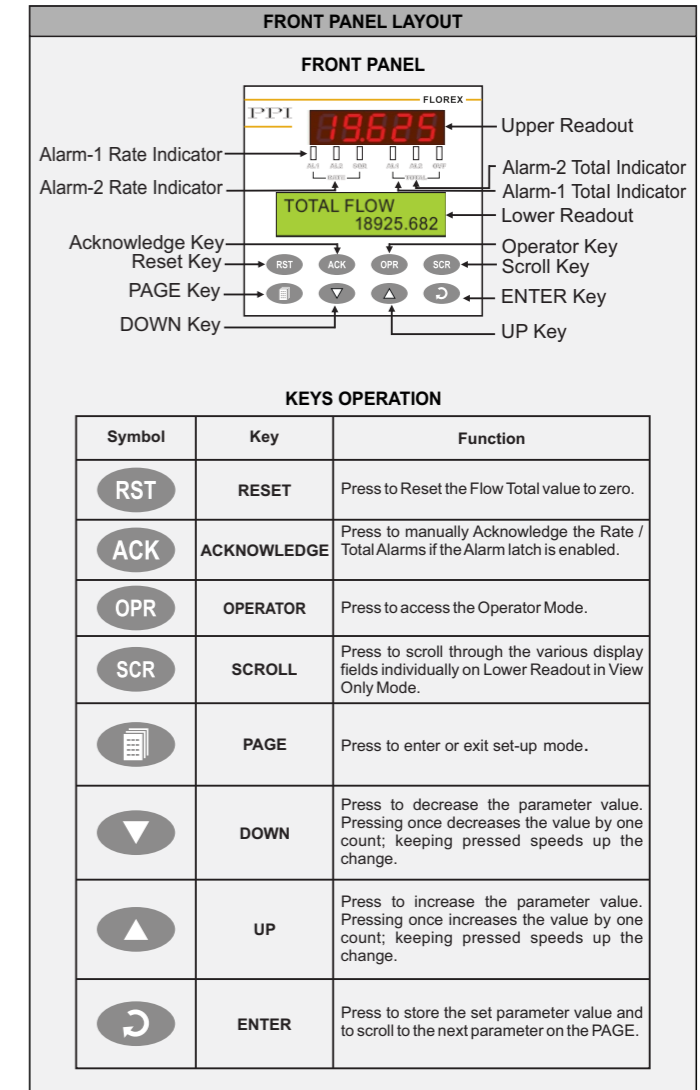
SUPERVISORY PARAMETERS	
Parameters	Settings (Default Value)
Flow Alarm SP Adjustment on Operator PAGE	No Yes (Default : No)
Total Alarm SP Adjustment on Operator PAGE	No Yes (Default : No)
Storage of Min./ Max. Flow Rate Activation	No Yes (Default : No)

SERIAL CONFIGURATION PARAMETERS	
Parameters	Settings (Default Value)
Baud Rate	4800 9600 19200 38400 57600 (Default : 9600 bps)
Parity	None Even Odd (Default : Even)
Serial ID	1 to 127 (Default : 1)
Serial Write Permission	No Yes (Default : No)

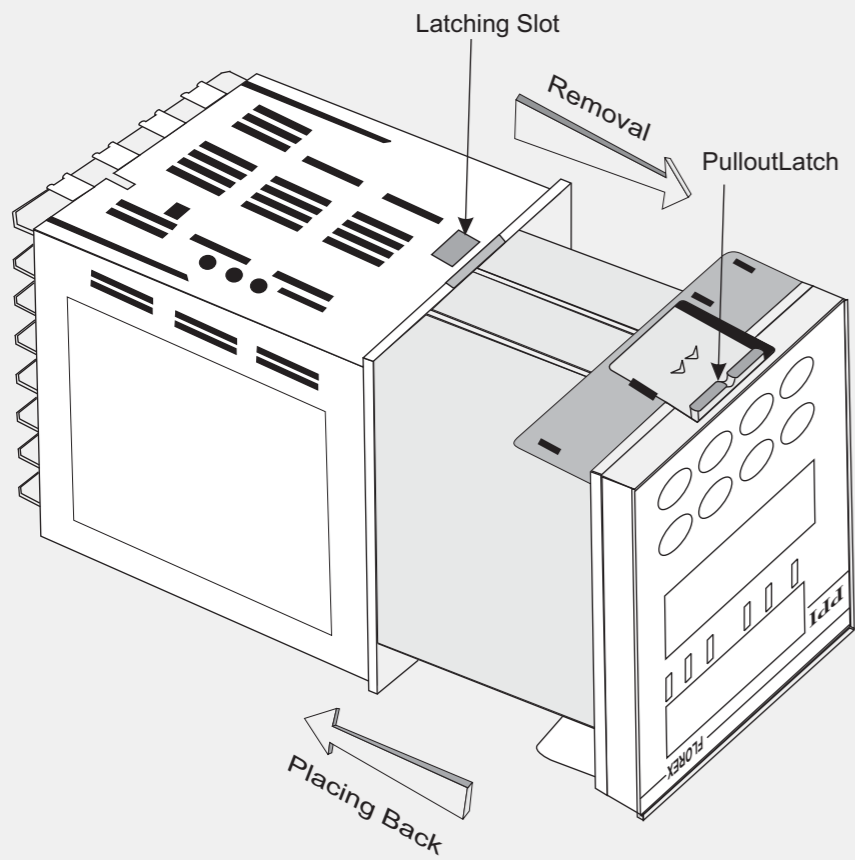
OPERATOR PARAMETERS	
Parameters	Settings (Default Value)
Alarm Acknowledge	No Yes (Default : No)
Min./Max. Reset Command	No Yes (Default : No)
Passcode Value	0 to 250 (Default : 0)
Total Reset Command	No Yes (Default : No)
Passcode Value	0 to 250 (Default : 0)
Flow Alarm-1 Setpoint	0 to 30000 (Default : For Process Low : 0, For Process High : 1000)
Flow Alarm-2 Setpoint	0 to 30000 (Default : For Process Low : 0, For Process High : 1000)
Total Alarm-1 Setpoint	0 to 99999999 (Default : 5000000)
Total Alarm-1 Ext. Setpoint	0 to 125 (Default : 0)
Total Alarm-2 Setpoint	0 to 99999999 (Default : 5000000)
Total Alarm-2 Ext. Setpoint	0 to 125 (Default : 0)

VIEW ONLY PARAMETERS	
Parameters	Settings
Total Time	Time (HH:MM:SS) 00:00:00
Minimum Flow Rate	MIN. FLOW RATE 0
Maximum Flow Rate	MAX. FLOW RATE 100
No. Of Overflows	NO.OF OVER FLOW 0

TABLE -1			
Parameters	Settings	Units	Notes
0 to 20 mA	0 to 20 mA DC current		
4 to 20 mA	4 to 20 mA DC current		
0 to 50 mV	0 to 50mV DC voltage		
0 to 200 mV	0 to 200mV DC voltage		
0 to 1.25 V	0 to 1.25V DC voltage		
0 to 5 V	0 to 5V DC voltage		
0 to 10 V	0 to 10V DC voltage		
1 to 5 V	1 to 5V DC voltage		



ENCLOSURE ASSEMBLY

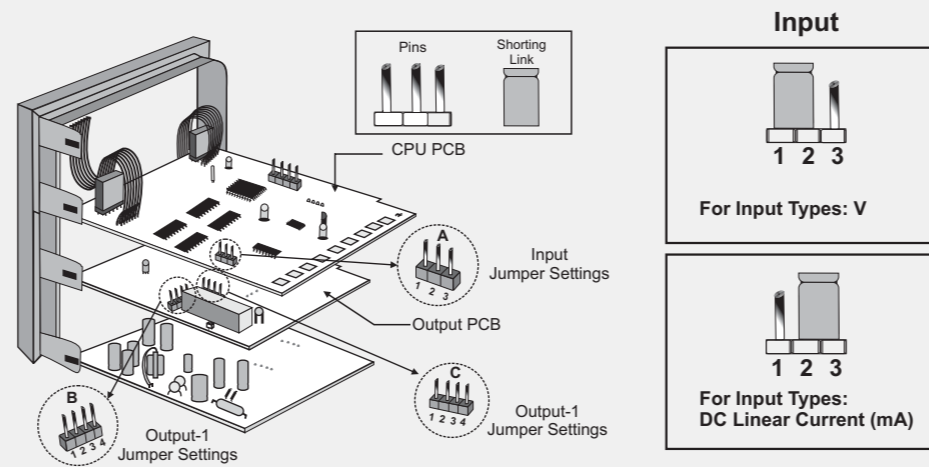


JUMPER SETTINGS

OUTPUT-1

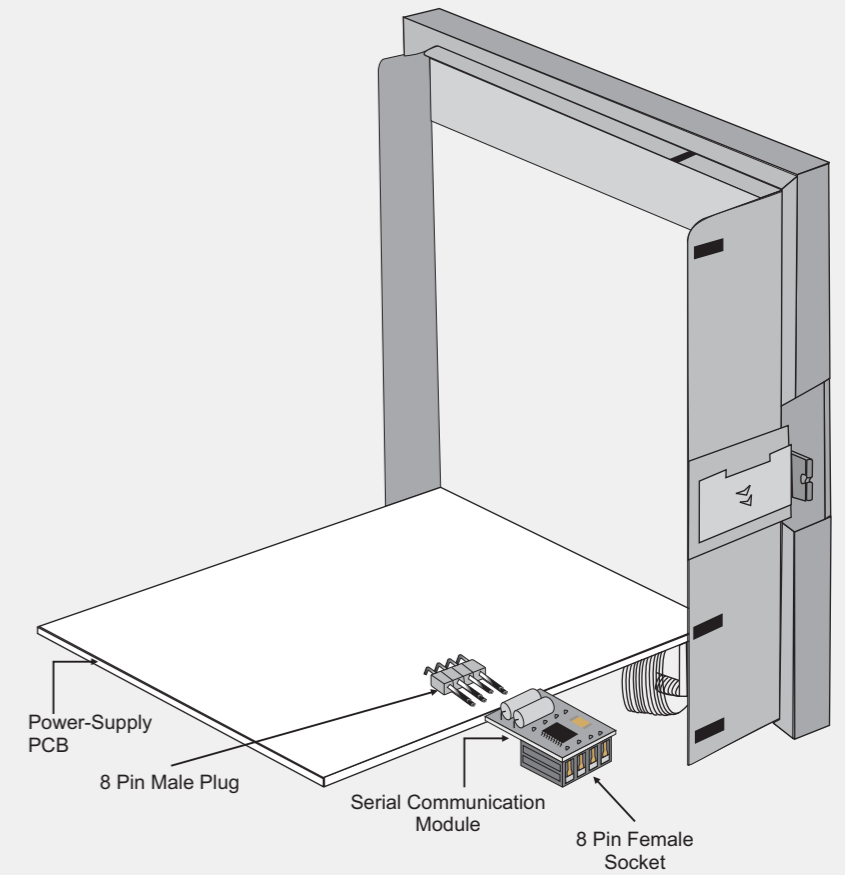
OUTPUT-1

Output Type	Relay	SSR Drive	DC Linear Current (or Voltage)
Jumper Setting - B			
Jumper Setting - C			



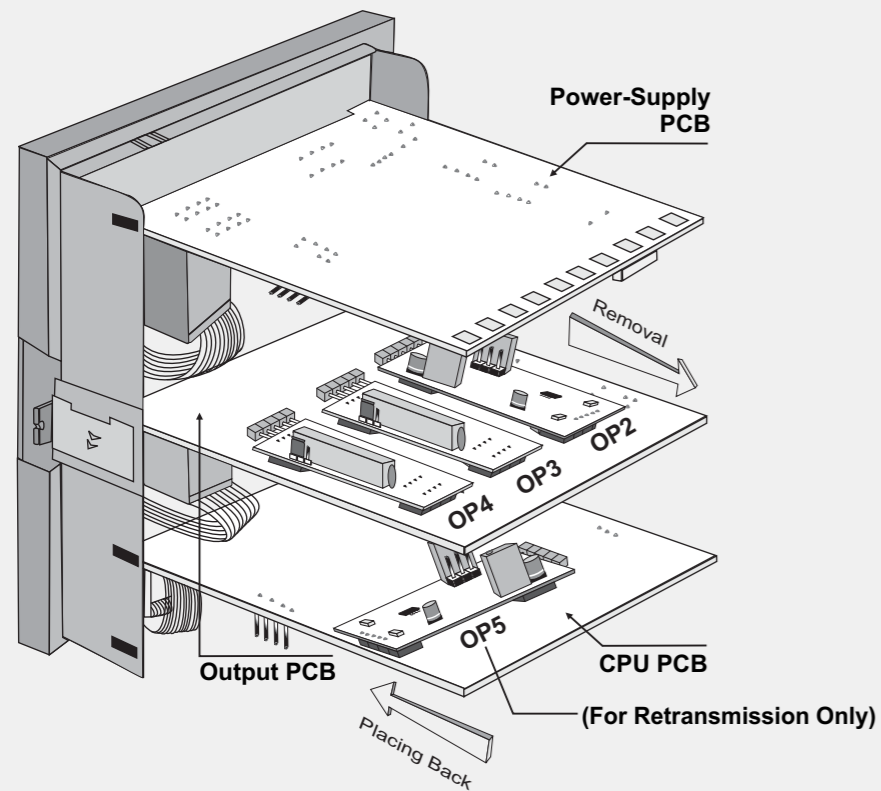
MOUNTING DETAILS

SERIAL COMM. MODULE

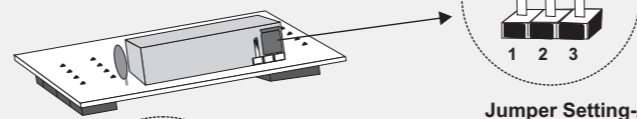


MOUNTING DETAILS

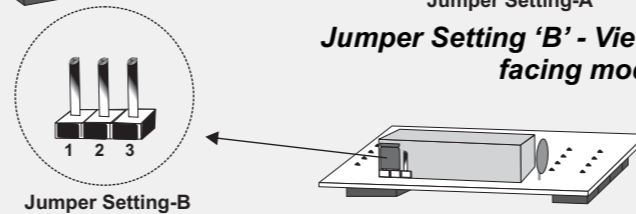
OUTPUT MODULE



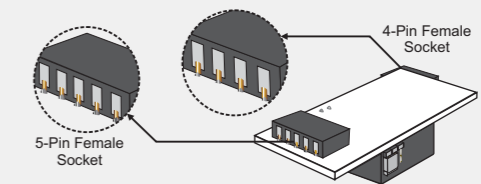
Jumper Setting 'A' - Viewed facing module



Jumper Setting 'B' - Viewed facing module



Output Type	Jumper Setting - A	Jumper Setting - B
Relay		
SSR		



Relay/SSR Module - Bottom View

