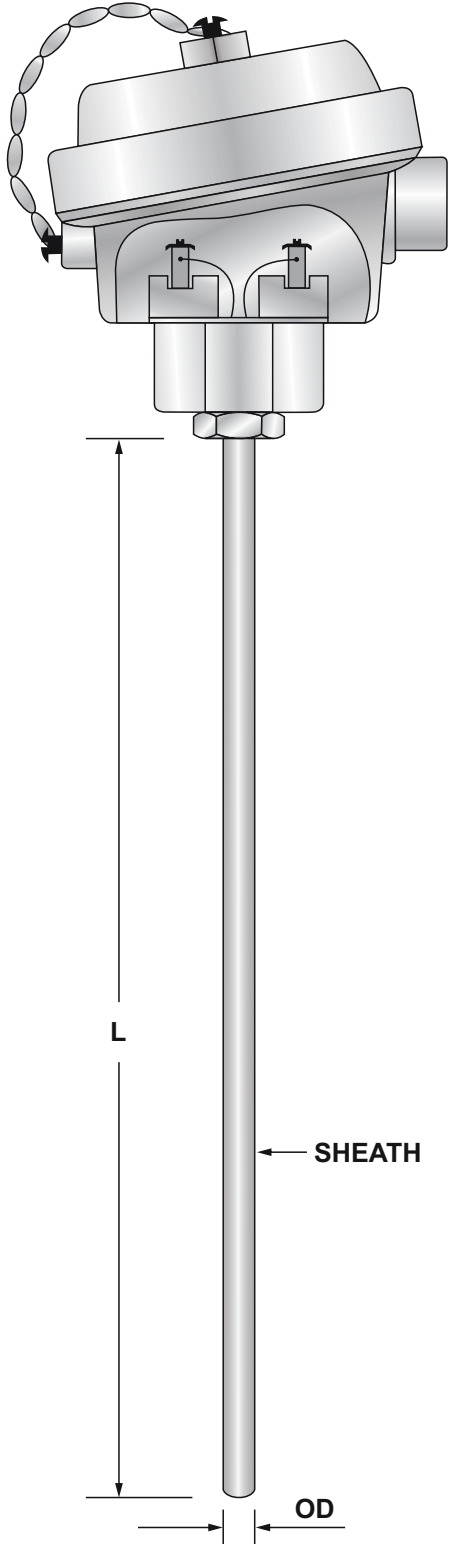


RTD - 01



Element	A	Pt- 100 x 1, Simplex
	B	Pt- 100 x 2, Duplex
	O	Consult Factory
Configuration	J2	2 - Wire
	J3	3 - Wire
	J4	4 - Wire*
	O	Consult Factory
Termination	W	Weather Proof Head IP-67
	F	Ex. Proof Head IIA / IIB IP-66
	O	Consult Factory
Temp. Range	T1	-20 to 250°C
	T2	-150 to 400°C
	O	Consult Factory
Sheath Material	316	SS 316
	O	Consult Factory
Sheath "OD"	3	3mm*
	4	4mm
	6	6mm
	8	8mm
	O	Consult Factory
Nominal Length "L"	Specify	

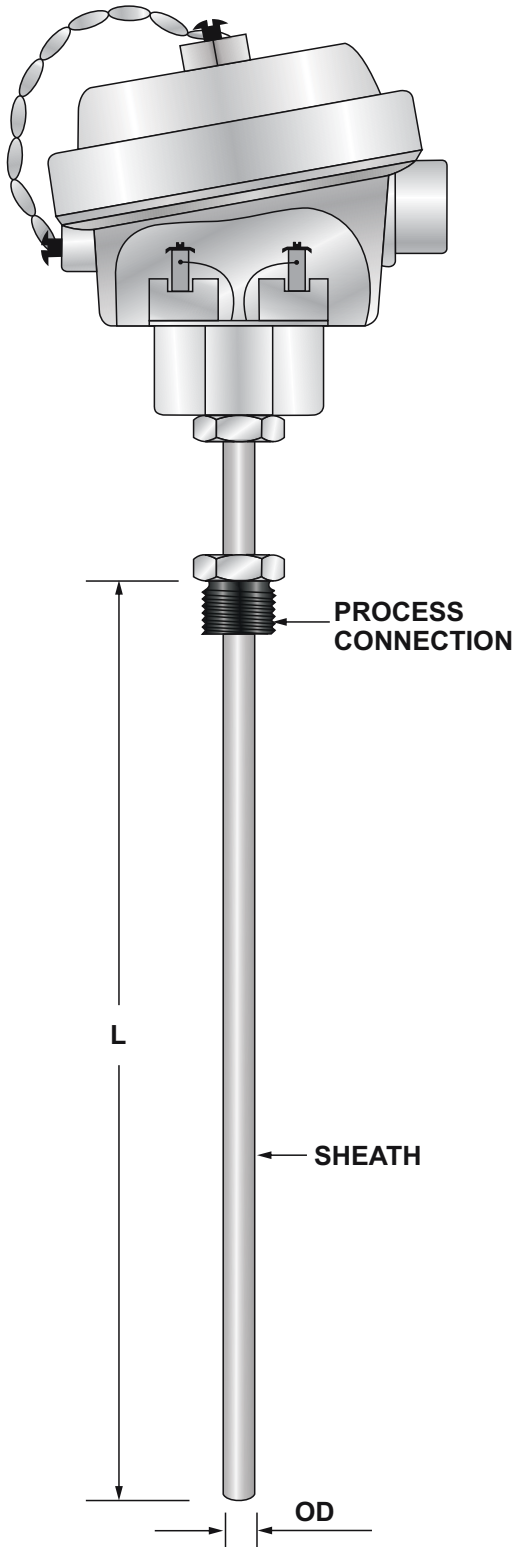
Note :- * 4 Wire available in Simplex only
* 3mm not available in 400°C (Duplex)

Process Precision Instruments

📍 101, Diamond Industrial Estate, Navghar, Vasai Road (E), Dist. Palghar - 401210, Maharashtra, India
 📞 Sales : 8208199048 / 8208141446 Support : 07498799226 / 08767395333
 ✉ sales@ppiindia.net 🖱 www.ppiindia.net

RTD HEAD TYPE WITH FIXED FITTING

RTD - 02



Element	[]	A	Pt- 100 x 1, Simplex
		B	Pt- 100 x 2, Duplex
		O	Consult Factory
Configuration	[]	J2	2 - Wire
		J3	3 - Wire
		J4	4 - Wire*
		O	Consult Factory
Termination	[]	W	Weather Proof Head IP-67
		F	Ex. Proof Head IIA / IIB IP-66
		O	Consult Factory
Temp. Range	[]	T1	-20 to 250°C
		T2	-150 to 400°C
		O	Consult Factory
Sheath Material	[]	316	SS 316
		O	Consult Factory
Sheath "OD"	[]	3	3mm*
		4	4mm
		6	6mm
		8	8mm
		O	Consult Factory
Process Connection	[]	Threads BSP / NPT	1/4" 3/8" 1/2" 3/4"
			1" 1 1/4" 1 1/2" 2"
		M -Threads	M18 X 1.5 M20 X 1.5
			M27 X 2 M33 X 2
O	Consult Factory		
Nominal Length "L"	[]	Specify	

Note :- * 4 Wire available in Simplex only
* 3mm not available in 400°C (Duplex)

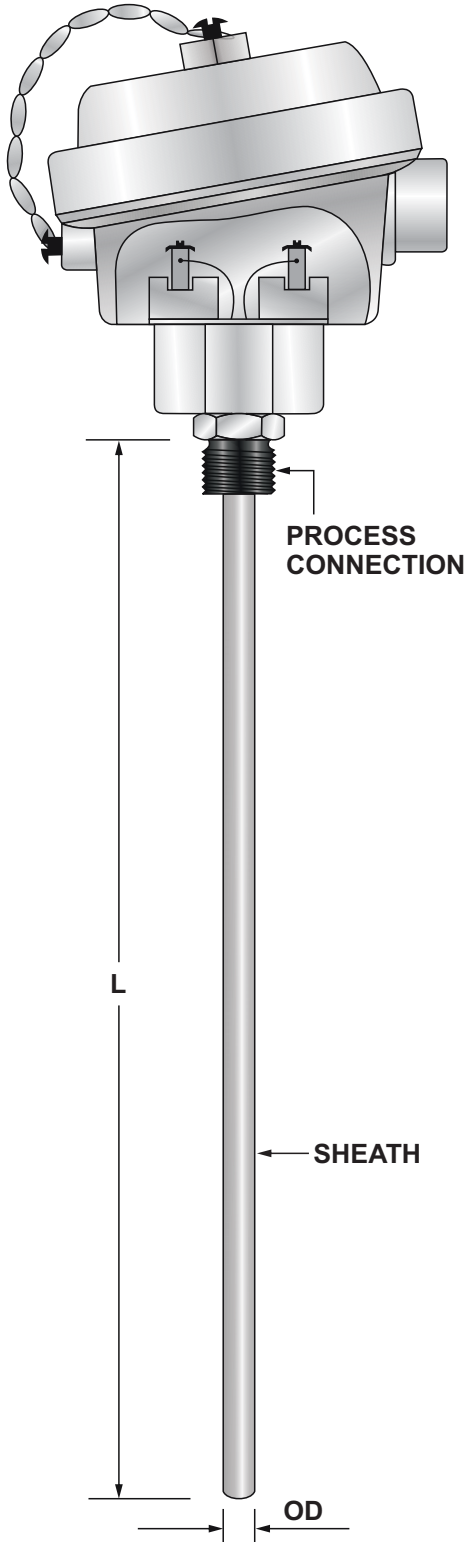
Process Precision Instruments

📍 101, Diamond Industrial Estate, Navghar, Vasai Road (E), Dist. Palghar - 401210, Maharashtra, India
 📞 Sales : 8208199048 / 8208141446 Support : 07498799226 / 08767395333
 ✉ sales@ppiindia.net 🖱 www.ppiindia.net



RTD HEAD TYPE WITH FIXED FITTING

RTD - 03



Element		A	Pt- 100 x 1, Simplex
		B	Pt- 100 x 2, Duplex
		O	Consult Factory
Configuration		J2	2 - Wire
		J3	3 - Wire
		J4	4 - Wire*
		O	Consult Factory
Termination		W	Weather Proof Head IP-67
		F	Ex. Proof Head IIA / IIB IP-66
		O	Consult Factory
Temp. Range		T1	-20 to 250°C
		T2	-150 to 400°C
		O	Consult Factory
Sheath Material		316	SS 316
		O	Consult Factory
Sheath "OD"		3	3mm*
		4	4mm
		6	6mm
		8	8mm
		O	Consult Factory
Process Connection		Threads BSP / NPT	1/4" 3/8" 1/2" 3/4" 1" 1 1/4" 1 1/2" 2"
		M -Threads	M18 X 1.5 M20 X 1.5 M27 X 2 M33 X 2
		O	Consult Factory
Nominal Length "L"		Specify	

Note :- * 4 Wire available in Simplex only
* 3mm not available in 400°C (Duplex)

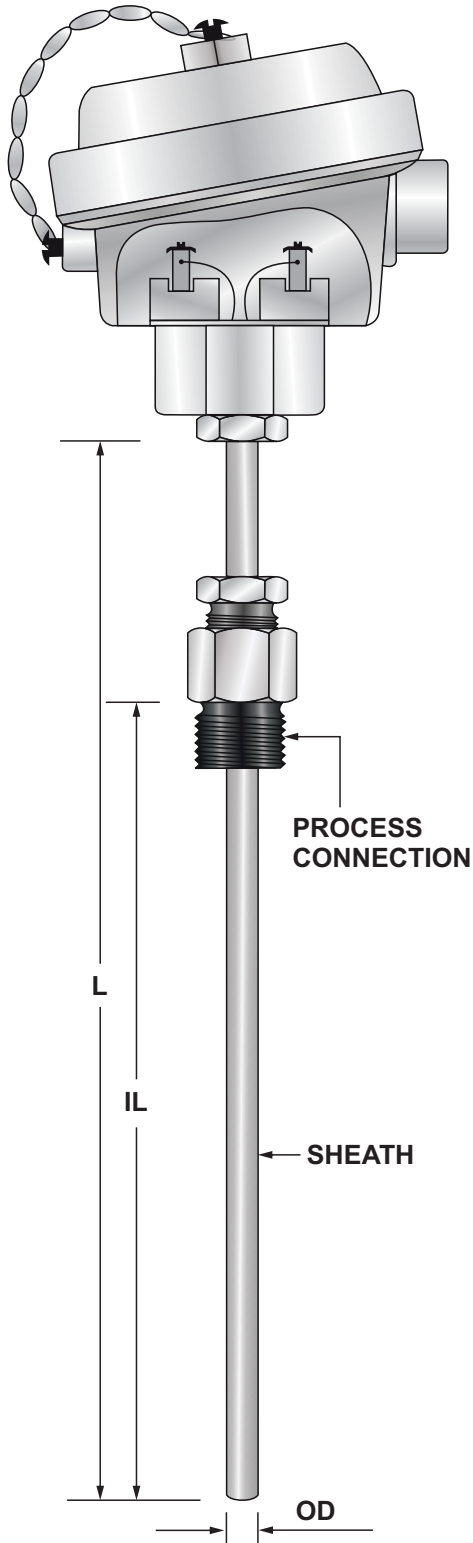
Process Precision Instruments

101, Diamond Industrial Estate, Navghar, Vasai Road (E), Dist. Palghar - 401210, Maharashtra, India
Sales : 8208199048 / 8208141446 Support : 07498799226 / 08767395333
sales@ppiindia.net www.ppiindia.net



RTD HEAD TYPE WITH ADJUSTABLE FITTING

RTD - 04



Element	<input type="text"/>	<table border="1"> <tr><td>A</td><td>Pt- 100 x 1, Simplex</td></tr> <tr><td>B</td><td>Pt- 100 x 2, Duplex</td></tr> <tr><td>O</td><td>Consult Factory</td></tr> </table>	A	Pt- 100 x 1, Simplex	B	Pt- 100 x 2, Duplex	O	Consult Factory																	
A	Pt- 100 x 1, Simplex																								
B	Pt- 100 x 2, Duplex																								
O	Consult Factory																								
Configuration	<input type="text"/>	<table border="1"> <tr><td>J2</td><td>2 - Wire</td></tr> <tr><td>J3</td><td>3 - Wire</td></tr> <tr><td>J4</td><td>4 - Wire*</td></tr> <tr><td>O</td><td>Consult Factory</td></tr> </table>	J2	2 - Wire	J3	3 - Wire	J4	4 - Wire*	O	Consult Factory															
J2	2 - Wire																								
J3	3 - Wire																								
J4	4 - Wire*																								
O	Consult Factory																								
Termination	<input type="text"/>	<table border="1"> <tr><td>W</td><td>Weather Proof Head IP-67</td></tr> <tr><td>F</td><td>Ex. Proof Head IIA / IIB IP-66</td></tr> <tr><td>O</td><td>Consult Factory</td></tr> </table>	W	Weather Proof Head IP-67	F	Ex. Proof Head IIA / IIB IP-66	O	Consult Factory																	
W	Weather Proof Head IP-67																								
F	Ex. Proof Head IIA / IIB IP-66																								
O	Consult Factory																								
Temp. Range	<input type="text"/>	<table border="1"> <tr><td>T1</td><td>-20 to 250°C</td></tr> <tr><td>T2</td><td>-150 to 400°C</td></tr> <tr><td>O</td><td>Consult Factory</td></tr> </table>	T1	-20 to 250°C	T2	-150 to 400°C	O	Consult Factory																	
T1	-20 to 250°C																								
T2	-150 to 400°C																								
O	Consult Factory																								
Sheath Material	<input type="text"/>	<table border="1"> <tr><td>316</td><td>SS 316</td></tr> <tr><td>O</td><td>Consult Factory</td></tr> </table>	316	SS 316	O	Consult Factory																			
316	SS 316																								
O	Consult Factory																								
Sheath "OD"	<input type="text"/>	<table border="1"> <tr><td>3</td><td>3mm*</td></tr> <tr><td>4</td><td>4mm</td></tr> <tr><td>6</td><td>6mm</td></tr> <tr><td>8</td><td>8mm</td></tr> <tr><td>O</td><td>Consult Factory</td></tr> </table>	3	3mm*	4	4mm	6	6mm	8	8mm	O	Consult Factory													
3	3mm*																								
4	4mm																								
6	6mm																								
8	8mm																								
O	Consult Factory																								
Process Connection	<input type="text"/>	<table border="1"> <tr> <td rowspan="2">Threads BSP / NPT</td> <td>1/4"</td> <td>3/8"</td> <td>1/2"</td> <td>3/4"</td> </tr> <tr> <td>1"</td> <td>1 1/4"</td> <td>1 1/2"</td> <td>2"</td> </tr> <tr> <td rowspan="2">M -Threads</td> <td colspan="2">M18 X 1.5</td> <td colspan="2">M20 X 1.5</td> </tr> <tr> <td colspan="2">M27 X 2</td> <td colspan="2">M33 X 2</td> </tr> <tr> <td>O</td> <td colspan="4">Consult Factory</td> </tr> </table>	Threads BSP / NPT	1/4"	3/8"	1/2"	3/4"	1"	1 1/4"	1 1/2"	2"	M -Threads	M18 X 1.5		M20 X 1.5		M27 X 2		M33 X 2		O	Consult Factory			
Threads BSP / NPT	1/4"	3/8"		1/2"	3/4"																				
	1"	1 1/4"	1 1/2"	2"																					
M -Threads	M18 X 1.5		M20 X 1.5																						
	M27 X 2		M33 X 2																						
O	Consult Factory																								
Nominal Length "L"	<input type="text"/>	Specify																							

Note :- * 4 Wire available in Simplex only
* 3mm not available in 400°C (Duplex)

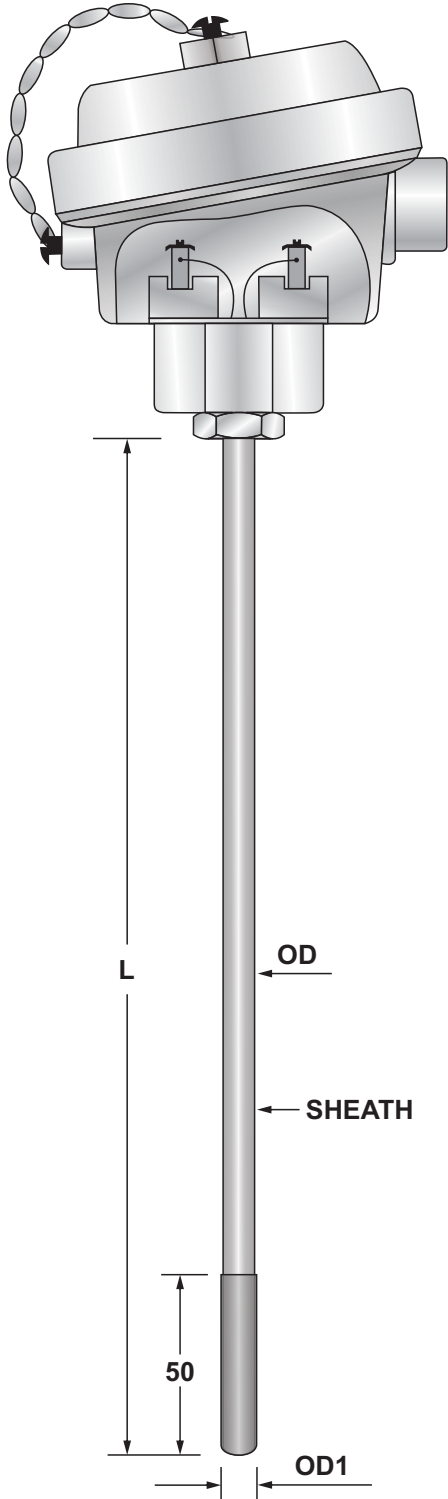
Process Precision Instruments

📍 101, Diamond Industrial Estate, Navghar, Vasai Road (E), Dist. Palghar - 401210, Maharashtra, India
 📞 Sales : 8208199048 / 8208141446 Support : 07498799226 / 08767395333
 ✉ sales@ppiindia.net 🖱 www.ppiindia.net



RTD HEAD TYPE (MINERAL INSULATED)

RTD - 05



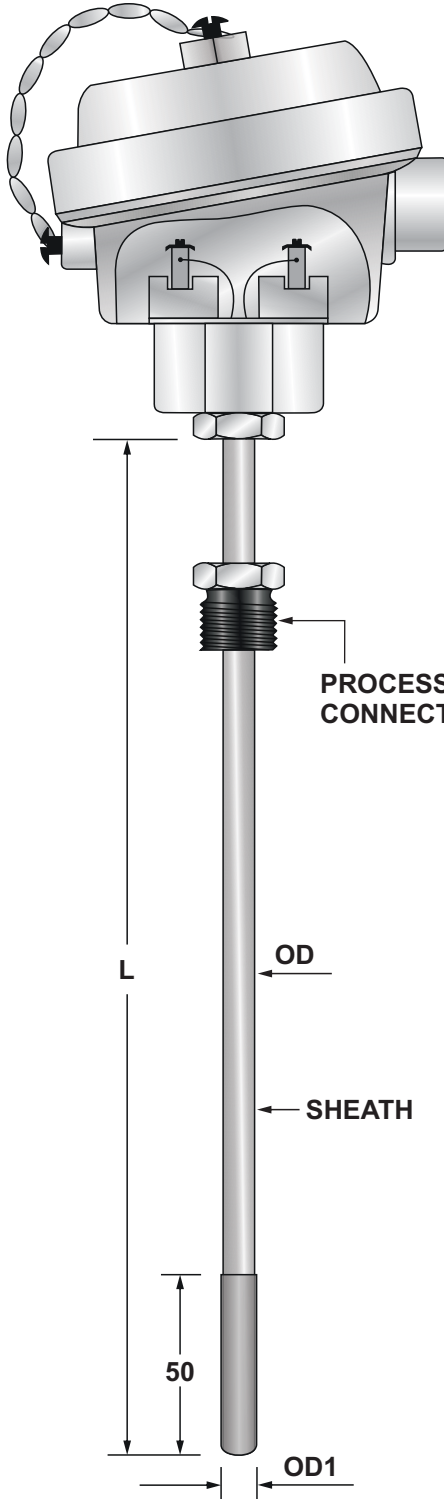
Element	<input type="text"/>	<table border="1"> <tr><td>A</td><td>Pt- 100 x 1, Simplex</td></tr> <tr><td>B</td><td>Pt- 100 x 2, Duplex</td></tr> <tr><td>O</td><td>Consult Factory</td></tr> </table>	A	Pt- 100 x 1, Simplex	B	Pt- 100 x 2, Duplex	O	Consult Factory		
A	Pt- 100 x 1, Simplex									
B	Pt- 100 x 2, Duplex									
O	Consult Factory									
Configuration	<input type="text"/>	<table border="1"> <tr><td>J2</td><td>2 - Wire</td></tr> <tr><td>J3</td><td>3 - Wire</td></tr> <tr><td>J4</td><td>4 - Wire*</td></tr> <tr><td>O</td><td>Consult Factory</td></tr> </table>	J2	2 - Wire	J3	3 - Wire	J4	4 - Wire*	O	Consult Factory
J2	2 - Wire									
J3	3 - Wire									
J4	4 - Wire*									
O	Consult Factory									
Termination	<input type="text"/>	<table border="1"> <tr><td>W</td><td>Weather Proof Head IP-67</td></tr> <tr><td>F</td><td>Ex. Proof Head IIA / IIB IP-66</td></tr> <tr><td>O</td><td>Consult Factory</td></tr> </table>	W	Weather Proof Head IP-67	F	Ex. Proof Head IIA / IIB IP-66	O	Consult Factory		
W	Weather Proof Head IP-67									
F	Ex. Proof Head IIA / IIB IP-66									
O	Consult Factory									
Temp. Range	<input type="text"/>	<table border="1"> <tr><td>T1</td><td>-20 to 250°C</td></tr> <tr><td>T2</td><td>-150 to 400°C</td></tr> <tr><td>O</td><td>Consult Factory</td></tr> </table>	T1	-20 to 250°C	T2	-150 to 400°C	O	Consult Factory		
T1	-20 to 250°C									
T2	-150 to 400°C									
O	Consult Factory									
Sheath Material (Flexible)	<input type="text"/>	<table border="1"> <tr><td>316</td><td>MI SS 316</td></tr> <tr><td>O</td><td>Consult Factory</td></tr> </table>	316	MI SS 316	O	Consult Factory				
316	MI SS 316									
O	Consult Factory									
Sheath "OD"	<input type="text"/>	<table border="1"> <tr><td>3</td><td>3mm / OD1 - 4.5mm</td></tr> <tr><td>5</td><td>5mm / OD1 - 6mm</td></tr> <tr><td>O</td><td>Consult Factory</td></tr> </table>	3	3mm / OD1 - 4.5mm	5	5mm / OD1 - 6mm	O	Consult Factory		
3	3mm / OD1 - 4.5mm									
5	5mm / OD1 - 6mm									
O	Consult Factory									
Nominal Length "L"	<input type="text"/>	<input type="text" value="Specify"/>								

Note :- * 4 Wire available in Simplex only

Process Precision Instruments



RTD - 06



Element	A	Pt- 100 x 1, Simplex
	B	Pt- 100 x 2, Duplex
	O	Consult Factory
Configuration	J2	2 - Wire
	J3	3 - Wire
	J4	4 - Wire*
	O	Consult Factory
Termination	W	Weather Proof Head IP-67
	F	Ex. Proof Head IIA / IIB IP-66
	O	Consult Factory
Temp. Range	T1	-20 to 250°C
	T2	-150 to 400°C
	O	Consult Factory
Sheath Material (Flexible)	316	MI SS 316
	O	Consult Factory
Sheath "OD"	3	3mm / OD1 - 4.5mm
	5	5mm / OD1 - 6mm
	O	Consult Factory
Process Connection	Threads BSP / NPT	1/4" 3/8" 1/2" 3/4"
		1" 1 1/4" 1 1/2" 2"
	M -Threads	M18 X 1.5 M20 X 1.5
		M27 X 2 M33 X 2
O	Consult Factory	
Nominal Length "L"	Specify	

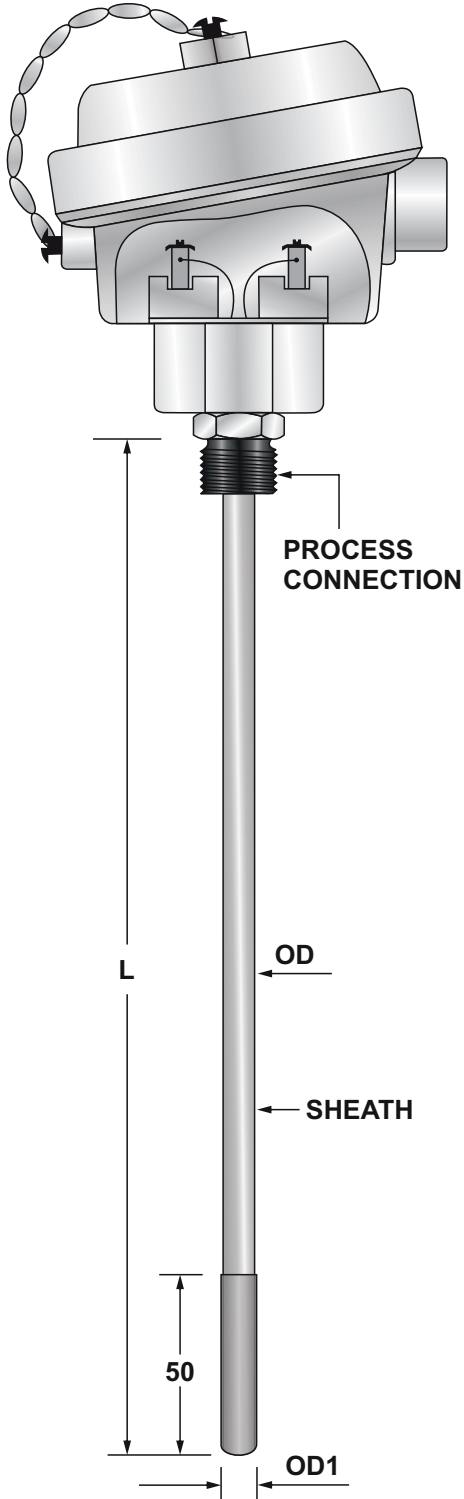
Note :- * 4 Wire available in Simplex only

Process Precision Instruments



RTD HEAD TYPE WITH FIXED FITTING (MINERAL INSULATED)

RTD - 07



Element	A	Pt- 100 x 1, Simplex
	B	Pt- 100 x 2, Duplex
	O	Consult Factory
Configuration	J2	2 - Wire
	J3	3 - Wire
	J4	4 - Wire*
	O	Consult Factory
Termination	W	Weather Proof Head IP-67
	F	Ex. Proof Head IIA / IIB IP-66
	O	Consult Factory
Temp. Range	T1	-20 to 250°C
	T2	-150 to 400°C
	O	Consult Factory
Sheath Material (Flexible)	316	MI SS 316
	O	Consult Factory
Sheath "OD"	3	3mm / OD1 - 4.5mm
	5	5mm / OD1 - 6mm
	O	Consult Factory
Process Connection	Threads BSP / NPT	1/4" 3/8" 1/2" 3/4"
		1" 1 1/4" 1 1/2" 2"
	M -Threads	M18 X 1.5 M20 X 1.5
		M27 X 2 M33 X 2
O	Consult Factory	
Nominal Length "L"	Specify	

Note :- * 4 Wire available in Simplex only

Process Precision Instruments

101, Diamond Industrial Estate, Navghar, Vasai Road (E), Dist. Palghar - 401210, Maharashtra, India

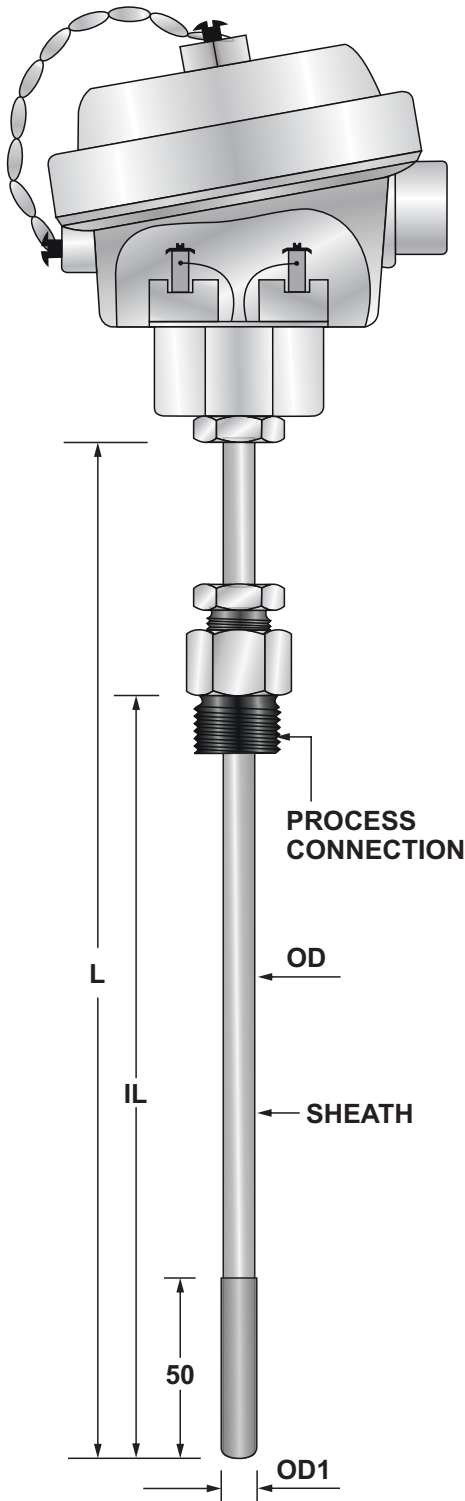
Sales : 8208199048 / 8208141446 Support : 07498799226 / 08767395333

sales@ppiindia.net www.ppiindia.net



RTD HEAD TYPE WITH ADJUSTABLE FITTING (MINERAL INSULATED)

RTD - 08



Element	A	Pt- 100 x 1, Simplex
	B	Pt- 100 x 2, Duplex
	O	Consult Factory
Configuration	J2	2 - Wire
	J3	3 - Wire
	J4	4 - Wire*
	O	Consult Factory
Termination	W	Weather Proof Head IP-67
	F	Ex. Proof Head IIA / IIB IP-66
	O	Consult Factory
Temp. Range	T1	-20 to 250°C
	T2	-150 to 400°C
	O	Consult Factory
Sheath Material (Flexible)	316	MI SS 316
	O	Consult Factory
Sheath "OD"	3	3mm / OD1 - 4.5mm
	5	5mm / OD1 - 6mm
	O	Consult Factory
Process Connection	Threads BSP / NPT	1/4" 3/8" 1/2" 3/4" 1" 1 1/4" 1 1/2" 2"
	M -Threads	M18 X 1.5 M20 X 1.5 M27 X 2 M33 X 2
	O	Consult Factory
	Nominal Length "L"	Specify

Note :- * 4 Wire available in Simplex only

Process Precision Instruments

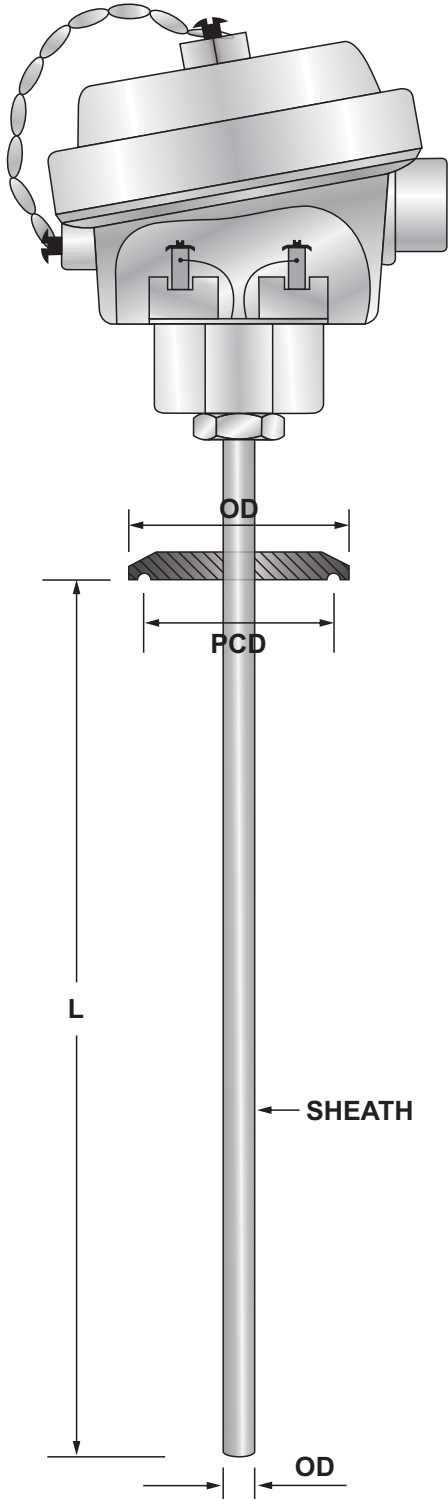
101, Diamond Industrial Estate, Navghar, Vasai Road (E), Dist. Palghar - 401210, Maharashtra, India

Sales : 8208199048 / 8208141446 Support : 07498799226 / 08767395333

sales@ppiindia.net www.ppiindia.net

RTD HEAD TYPE WITH TRICLOVER FLANGE

RTD - 09



Element	<input type="text"/>	A	Pt- 100 x 1, Simplex
		B	Pt- 100 x 2, Duplex
		O	Consult Factory
Configuration	<input type="text"/>	J2	2 - Wire
		J3	3 - Wire
		J4	4 - Wire*
		O	Consult Factory
Termination	<input type="text"/>	W	Weather Proof Head IP-67
		F	Ex. Proof Head IIA / IIB IP-66
		O	Consult Factory
Temp. Range	<input type="text"/>	T1	-20 to 250°C
		T2	-150 to 400°C
		O	Consult Factory
Sheath Material	<input type="text"/>	316	SS 316
		O	Consult Factory
Sheath "OD"	<input type="text"/>	6	6mm
		8	8mm
		O	Consult Factory
Process Connection	<input type="text"/>	OD (Specify)	
		PCD (Specify)	
Nominal Length "L"	<input type="text"/>	Specify	

Note :- * 4 Wire available in Simplex only

Process Precision Instruments

📍 101, Diamond Industrial Estate, Navghar, Vasai Road (E), Dist. Palghar - 401210, Maharashtra, India

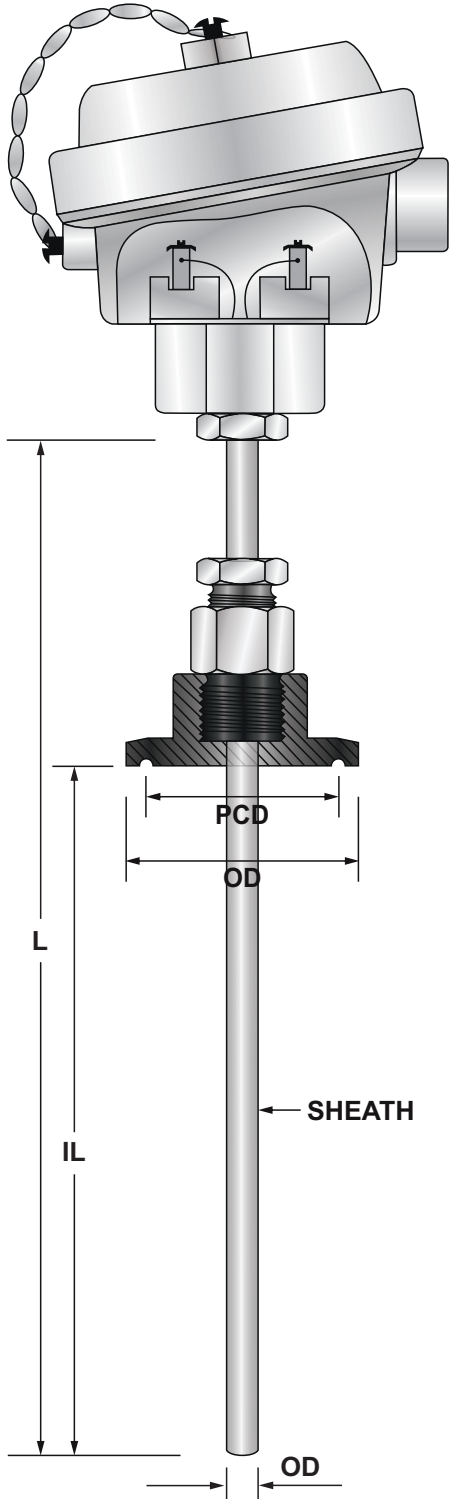
☎ Sales : 8208199048 / 8208141446 Support : 07498799226 / 08767395333

✉ sales@ppiindia.net 🖱 www.ppiindia.net



RTD HEAD TYPE WITH ADJUSTABLE TRICLOVER FLANGE

RTD - 10



Element	<input type="text"/>	A	Pt- 100 x 1, Simplex
		B	Pt- 100 x 2, Duplex
		O	Consult Factory
Configuration	<input type="text"/>	J2	2 - Wire
		J3	3 - Wire
		J4	4 - Wire*
		O	Consult Factory
Termination	<input type="text"/>	W	Weather Proof Head IP-67
		F	Ex. Proof Head IIA / IIB IP-66
		O	Consult Factory
Temp. Range	<input type="text"/>	T1	-20 to 250°C
		T2	-150 to 400°C
		O	Consult Factory
Sheath Material	<input type="text"/>	316	SS 316
		O	Consult Factory
Sheath "OD"	<input type="text"/>	6	6mm
		8	8mm
		O	Consult Factory
Process Connection	<input type="text"/>	OD (Specify)	
		PCD (Specify)	
Nominal Length "L"	<input type="text"/>	Specify	

Note :- * 4 Wire available in Simplex only

Process Precision Instruments

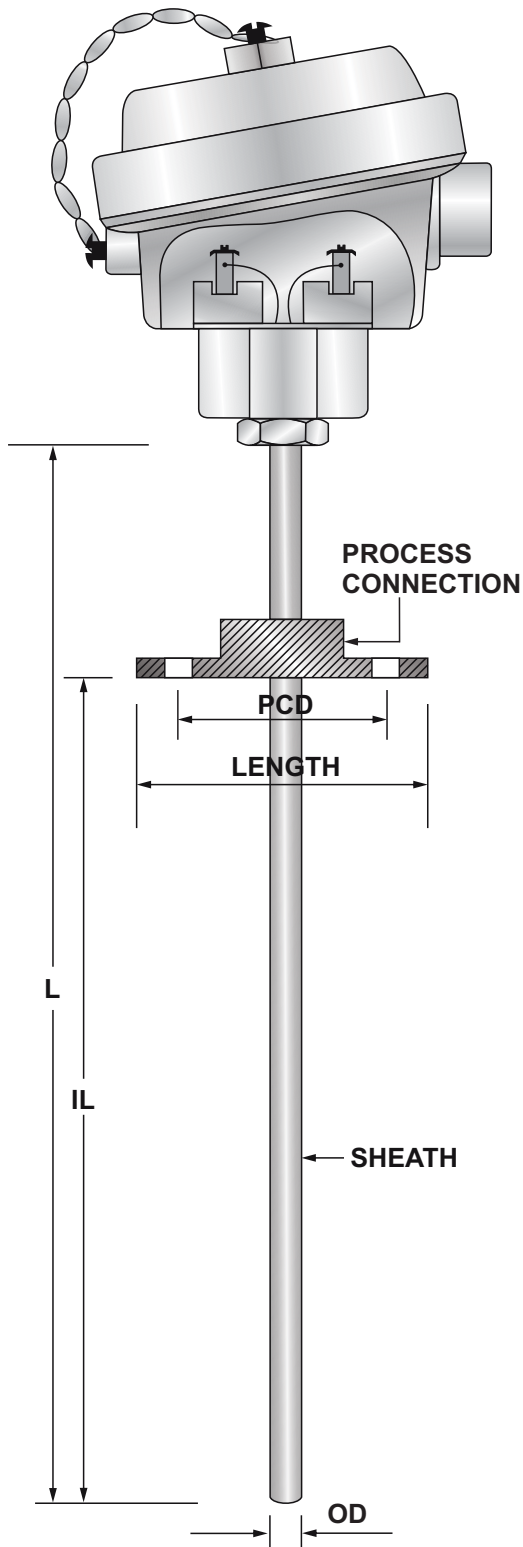
101, Diamond Industrial Estate, Navghar, Vasai Road (E), Dist. Palghar - 401210, Maharashtra, India

Sales : 8208199048 / 8208141446 Support : 07498799226 / 08767395333

sales@ppiindia.net www.ppiindia.net

RTD HEAD TYPE WITH ADJUSTABLE OVAL FLANGE

RTD - 11



Element	<input type="text"/>	<table border="1"> <tr><td>A</td><td>Pt- 100 x 1, Simplex</td></tr> <tr><td>B</td><td>Pt- 100 x 2, Duplex</td></tr> <tr><td>O</td><td>Consult Factory</td></tr> </table>	A	Pt- 100 x 1, Simplex	B	Pt- 100 x 2, Duplex	O	Consult Factory		
A	Pt- 100 x 1, Simplex									
B	Pt- 100 x 2, Duplex									
O	Consult Factory									
Configuration	<input type="text"/>	<table border="1"> <tr><td>J2</td><td>2 - Wire</td></tr> <tr><td>J3</td><td>3 - Wire</td></tr> <tr><td>J4</td><td>4 - Wire*</td></tr> <tr><td>O</td><td>Consult Factory</td></tr> </table>	J2	2 - Wire	J3	3 - Wire	J4	4 - Wire*	O	Consult Factory
J2	2 - Wire									
J3	3 - Wire									
J4	4 - Wire*									
O	Consult Factory									
Termination	<input type="text"/>	<table border="1"> <tr><td>W</td><td>Weather Proof Head IP-67</td></tr> <tr><td>F</td><td>Ex. Proof Head IIA / IIB IP-66</td></tr> <tr><td>O</td><td>Consult Factory</td></tr> </table>	W	Weather Proof Head IP-67	F	Ex. Proof Head IIA / IIB IP-66	O	Consult Factory		
W	Weather Proof Head IP-67									
F	Ex. Proof Head IIA / IIB IP-66									
O	Consult Factory									
Temp. Range	<input type="text"/>	<table border="1"> <tr><td>T1</td><td>-20 to 250°C</td></tr> <tr><td>T2</td><td>-150 to 400°C</td></tr> <tr><td>O</td><td>Consult Factory</td></tr> </table>	T1	-20 to 250°C	T2	-150 to 400°C	O	Consult Factory		
T1	-20 to 250°C									
T2	-150 to 400°C									
O	Consult Factory									
Sheath Material	<input type="text"/>	<table border="1"> <tr><td>316</td><td>SS 316</td></tr> <tr><td>O</td><td>Consult Factory</td></tr> </table>	316	SS 316	O	Consult Factory				
316	SS 316									
O	Consult Factory									
Sheath "OD"	<input type="text"/>	<table border="1"> <tr><td>6</td><td>6mm</td></tr> <tr><td>8</td><td>8mm</td></tr> <tr><td>O</td><td>Consult Factory</td></tr> </table>	6	6mm	8	8mm	O	Consult Factory		
6	6mm									
8	8mm									
O	Consult Factory									
Process Connection	<input type="text"/>	OVAL FLANGE (ALUMINIUM)								
Nominal Length "L"	<input type="text"/>	Specify								

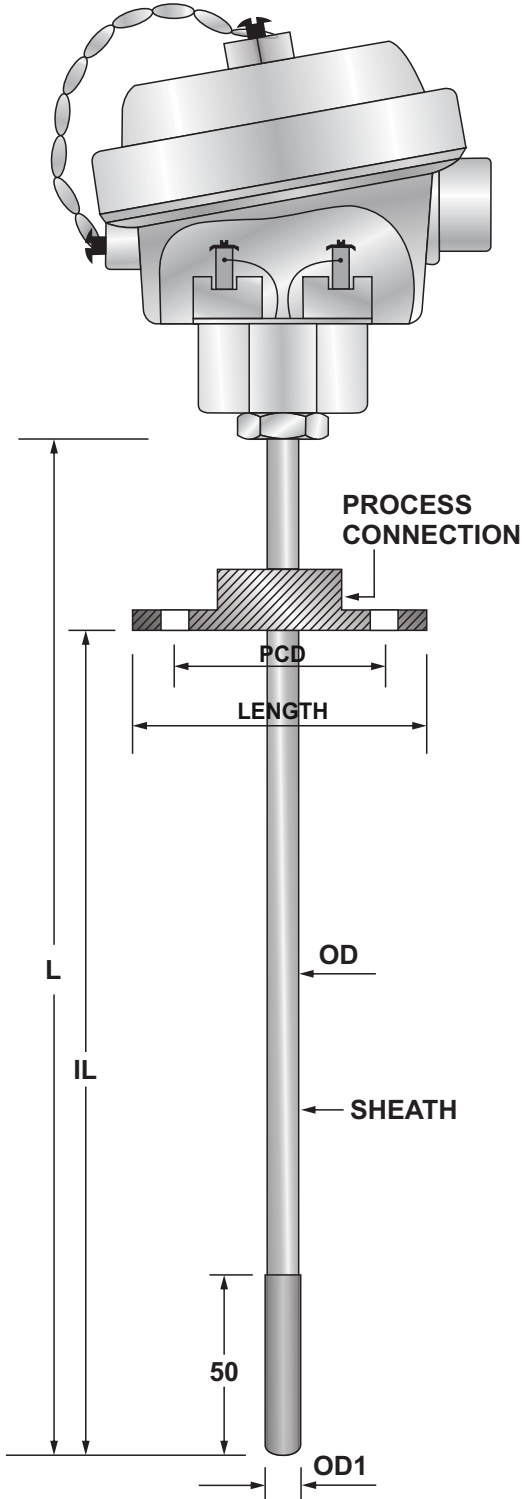
Note :- * 4 Wire available in Simplex only

Process Precision Instruments

RTD HEAD TYPE WITH ADJUSTABLE OVAL FLANGE

(MINERAL INSULATED)

RTD - 12



Element	<input type="text"/>	<table border="1"> <tr><td>A</td><td>Pt- 100 x 1, Simplex</td></tr> <tr><td>B</td><td>Pt- 100 x 2, Duplex</td></tr> <tr><td>O</td><td>Consult Factory</td></tr> </table>	A	Pt- 100 x 1, Simplex	B	Pt- 100 x 2, Duplex	O	Consult Factory		
A	Pt- 100 x 1, Simplex									
B	Pt- 100 x 2, Duplex									
O	Consult Factory									
Configuration	<input type="text"/>	<table border="1"> <tr><td>J2</td><td>2 - Wire</td></tr> <tr><td>J3</td><td>3 - Wire</td></tr> <tr><td>J4</td><td>4 - Wire*</td></tr> <tr><td>O</td><td>Consult Factory</td></tr> </table>	J2	2 - Wire	J3	3 - Wire	J4	4 - Wire*	O	Consult Factory
J2	2 - Wire									
J3	3 - Wire									
J4	4 - Wire*									
O	Consult Factory									
Termination	<input type="text"/>	<table border="1"> <tr><td>W</td><td>Weather Proof Head IP-67</td></tr> <tr><td>F</td><td>Ex. Proof Head IIA / IIB IP-66</td></tr> <tr><td>O</td><td>Consult Factory</td></tr> </table>	W	Weather Proof Head IP-67	F	Ex. Proof Head IIA / IIB IP-66	O	Consult Factory		
W	Weather Proof Head IP-67									
F	Ex. Proof Head IIA / IIB IP-66									
O	Consult Factory									
Temp. Range	<input type="text"/>	<table border="1"> <tr><td>T1</td><td>-20 to 250°C</td></tr> <tr><td>T2</td><td>-150 to 400°C</td></tr> <tr><td>O</td><td>Consult Factory</td></tr> </table>	T1	-20 to 250°C	T2	-150 to 400°C	O	Consult Factory		
T1	-20 to 250°C									
T2	-150 to 400°C									
O	Consult Factory									
Sheath Material (Flexible)	<input type="text"/>	<table border="1"> <tr><td>316</td><td>MI SS 316</td></tr> <tr><td>O</td><td>Consult Factory</td></tr> </table>	316	MI SS 316	O	Consult Factory				
316	MI SS 316									
O	Consult Factory									
Sheath "OD"	<input type="text"/>	<table border="1"> <tr><td>5</td><td>5mm / OD1 - 6mm</td></tr> <tr><td>O</td><td>Consult Factory</td></tr> </table>	5	5mm / OD1 - 6mm	O	Consult Factory				
5	5mm / OD1 - 6mm									
O	Consult Factory									
Process Connection	<input type="text"/>	OVAL FLANGE (ALUMINIUM)								
Nominal Length "L"	<input type="text"/>	Specify								

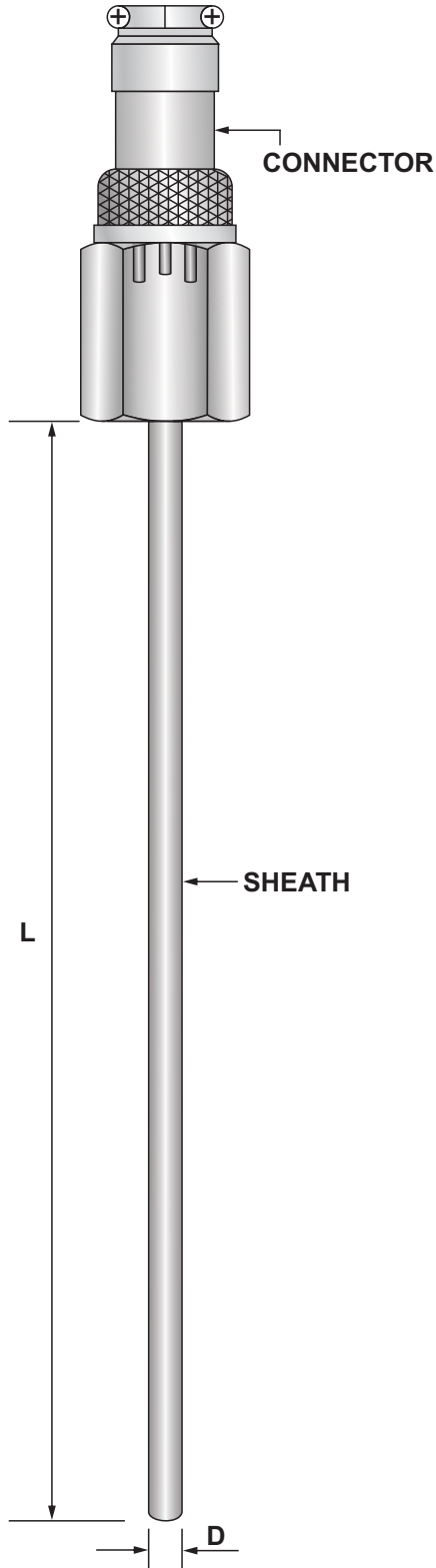
Note :- * 4 Wire available in Simplex only

Process Precision Instruments

📍 101, Diamond Industrial Estate, Navghar, Vasai Road (E), Dist. Palghar - 401210, Maharashtra, India
 📞 Sales : 8208199048 / 8208141446 Support : 07498799226 / 08767395333
 ✉ sales@ppiindia.net 🖱 www.ppiindia.net



RTD - 13



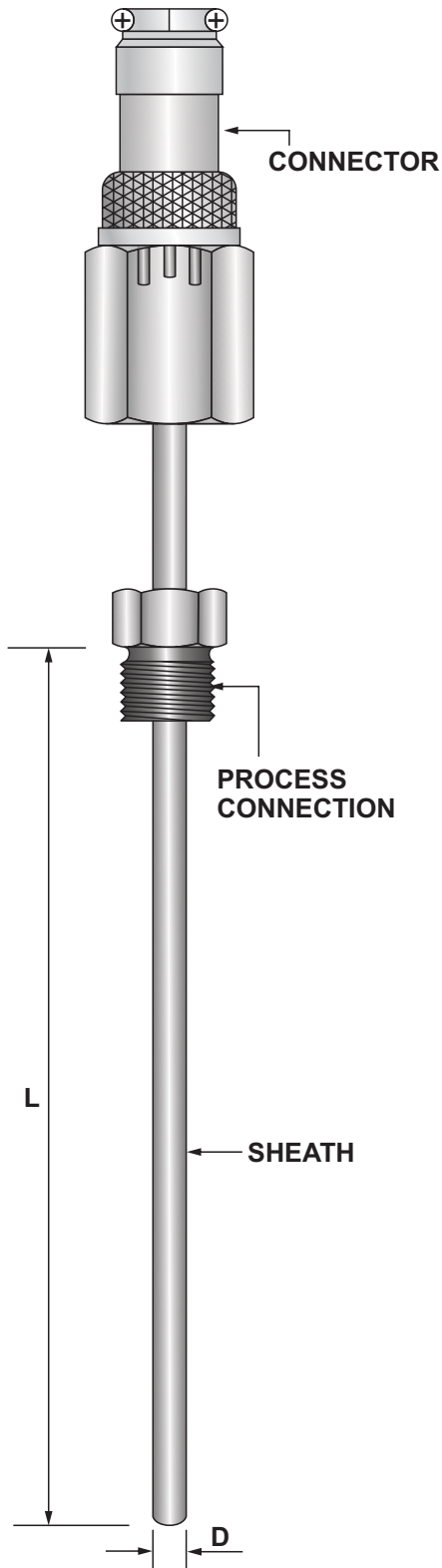
Element	<input type="text"/>	A	Pt- 100 x 1, Simplex
		O	Consult Factory
Configuration	<input type="text"/>	J2	2 - Wire
		J3	3 - Wire
		O	Consult Factory
Temp. Range	<input type="text"/>	T1	-20 to 250°C
		T2	-150 to 400°C
		O	Consult Factory
Sheath Material	<input type="text"/>	316	SS 316
		O	Consult Factory
Sheath "OD"	<input type="text"/>	6	6mm
		O	Consult Factory
Nominal Length "L"	<input type="text"/>	<input type="text" value="Specify"/>	

Process Precision Instruments



RTD HEX (SS) HEAD TYPE WITH FIXED FITTING

RTD - 14



Element	<input type="text"/>	A	Pt- 100 x 1, Simplex			
		O	Consult Factory			
Configuration	<input type="text"/>	J2	2 - Wire			
		J3	3 - Wire			
		O	Consult Factory			
Temp. Range	<input type="text"/>	T1	-20 to 250°C			
		T2	-150 to 400°C			
		O	Consult Factory			
Sheath Material	<input type="text"/>	316	SS 316			
		O	Consult Factory			
Sheath "OD"	<input type="text"/>	6	6mm			
		O	Consult Factory			
Process Connection	<input type="text"/>	Threads BSP / NPT	1/4"	3/8"	1/2"	3/4"
			1"	1 1/4"	1 1/2"	2"
		M -Threads	M18 X 1.5	M20 X 1.5		
			M27 X 2	M33 X 2		
O	Consult Factory					
Nominal Length "L"	<input type="text"/>	Specify				

Process Precision Instruments

101, Diamond Industrial Estate, Navghar, Vasai Road (E), Dist. Palghar - 401210, Maharashtra, India

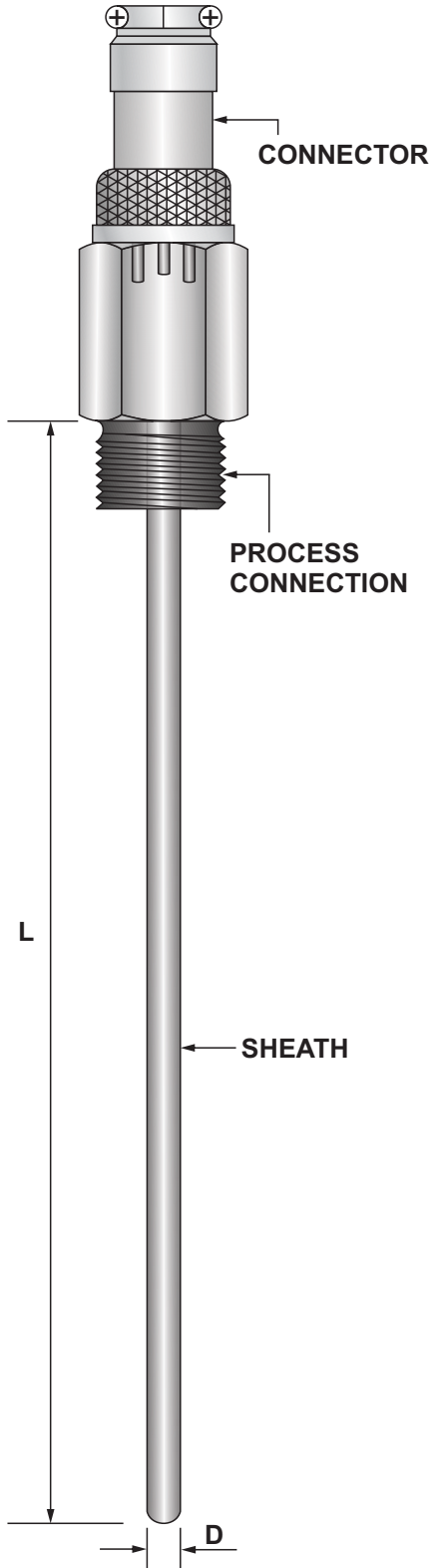
Sales : 8208199048 / 8208141446 Support : 07498799226 / 08767395333

sales@ppiindia.net www.ppiindia.net



RTD HEX (SS) HEAD TYPE WITH FIXED FITTING

RTD - 15



Element	<input type="text"/>	A	Pt- 100 x 1, Simplex
		O	Consult Factory
Configuration	<input type="text"/>	J2	2 - Wire
		J3	3 - Wire
		O	Consult Factory
Temp. Range	<input type="text"/>	T1	-20 to 250°C
		T2	-150 to 400°C
		O	Consult Factory
Sheath Material	<input type="text"/>	316	SS 316
		O	Consult Factory
Sheath "OD"	<input type="text"/>	6	6mm
		O	Consult Factory
Process Connection	<input type="text"/>	Threads BSP	1/2"
Nominal Length "L"	<input type="text"/>	<input type="text" value="Specify"/>	

Process Precision Instruments

101, Diamond Industrial Estate, Navghar, Vasai Road (E), Dist. Palghar - 401210, Maharashtra, India

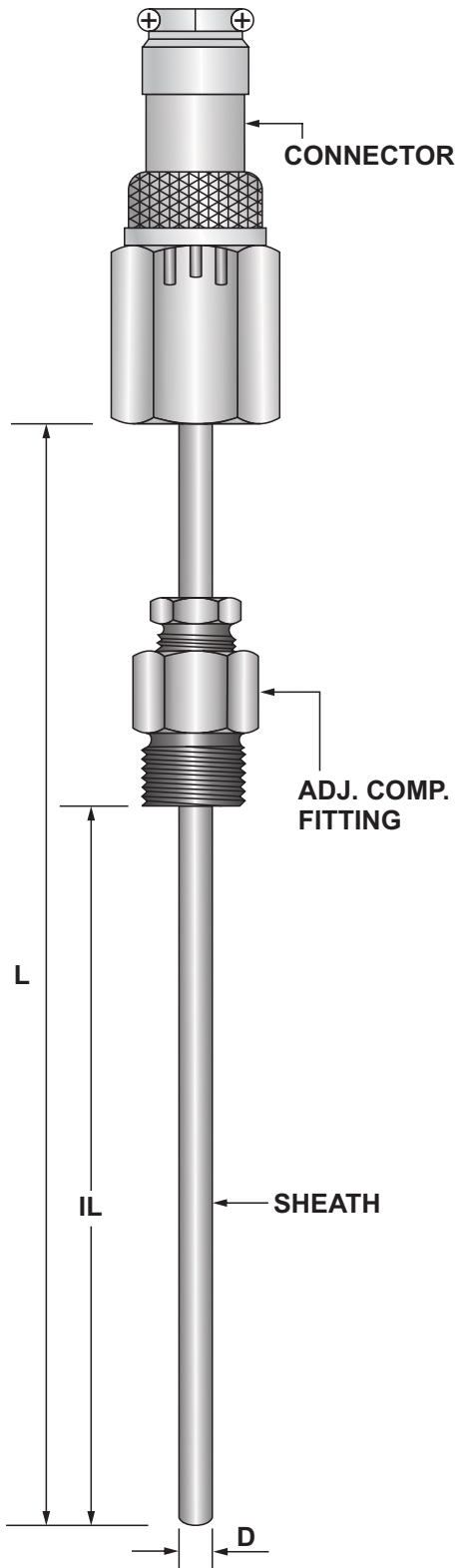
Sales : 8208199048 / 8208141446 Support : 07498799226 / 08767395333

sales@ppiindia.net www.ppiindia.net



RTD HEX (SS) HEAD TYPE WITH ADJUSTABLE FITTING

RTD - 16



Element	A	Pt- 100 x 1, Simplex
	O	Consult Factory
Configuration	J2	2 - Wire
	J3	3 - Wire
	O	Consult Factory
Temp. Range	T1	-20 to 250°C
	T2	-150 to 400°C
	O	Consult Factory
Sheath Material	316	SS 316
	O	Consult Factory
Sheath "OD"	6	6mm
	O	Consult Factory
Process Connection	Threads BSP / NPT	1/4" 3/8" 1/2" 3/4" 1" 1 1/4" 1 1/2" 2"
	M -Threads	M18 X 1.5 M20 X 1.5 M27 X 2 M33 X 2
	O	Consult Factory
Nominal Length "L"	Specify	

Process Precision Instruments

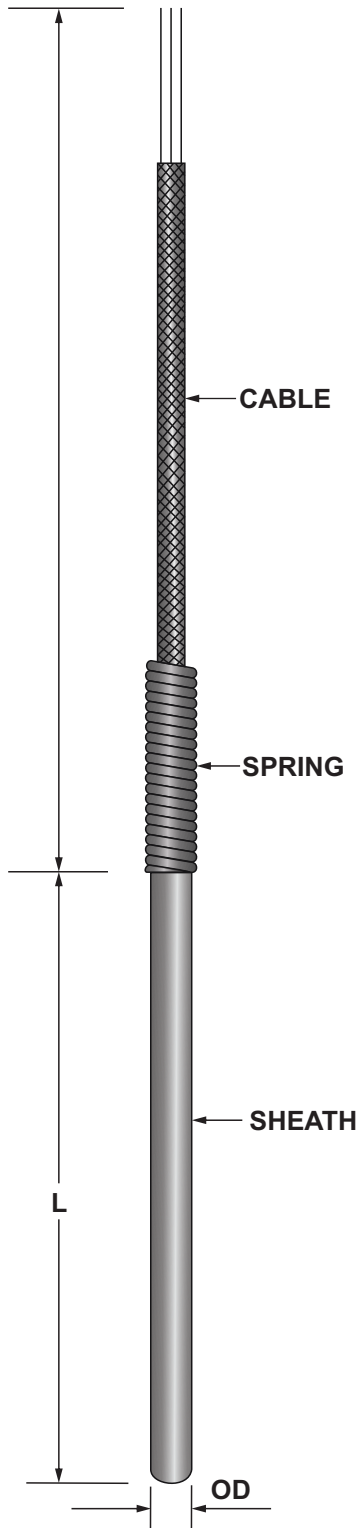
101, Diamond Industrial Estate, Navghar, Vasai Road (E), Dist. Palghar - 401210, Maharashtra, India

Sales : 8208199048 / 8208141446 Support : 07498799226 / 08767395333

sales@ppiindia.net www.ppiindia.net



RTD - 17



Element	<input type="text"/>	<table border="1"> <tr><td>A</td><td>Pt- 100 x 1, Simplex</td></tr> <tr><td>B</td><td>Pt- 100 x 2, Duplex</td></tr> <tr><td>O</td><td>Consult Factory</td></tr> </table>	A	Pt- 100 x 1, Simplex	B	Pt- 100 x 2, Duplex	O	Consult Factory				
A	Pt- 100 x 1, Simplex											
B	Pt- 100 x 2, Duplex											
O	Consult Factory											
Configuration	<input type="text"/>	<table border="1"> <tr><td>J2</td><td>2 - Wire</td></tr> <tr><td>J3</td><td>3 - Wire</td></tr> <tr><td>J4</td><td>4 - Wire*</td></tr> <tr><td>O</td><td>Consult Factory</td></tr> </table>	J2	2 - Wire	J3	3 - Wire	J4	4 - Wire*	O	Consult Factory		
J2	2 - Wire											
J3	3 - Wire											
J4	4 - Wire*											
O	Consult Factory											
Temp. Range	<input type="text"/>	<table border="1"> <tr><td>T1</td><td>-20 to 250°C</td></tr> <tr><td>T2</td><td>-150 to 400°C</td></tr> <tr><td>O</td><td>Consult Factory</td></tr> </table>	T1	-20 to 250°C	T2	-150 to 400°C	O	Consult Factory				
T1	-20 to 250°C											
T2	-150 to 400°C											
O	Consult Factory											
Sheath Material	<input type="text"/>	<table border="1"> <tr><td>316</td><td>SS 316</td></tr> <tr><td>O</td><td>Consult Factory</td></tr> </table>	316	SS 316	O	Consult Factory						
316	SS 316											
O	Consult Factory											
Sheath "OD"	<input type="text"/>	<table border="1"> <tr><td>3</td><td>3mm*</td></tr> <tr><td>4</td><td>4mm</td></tr> <tr><td>6</td><td>6mm</td></tr> <tr><td>8</td><td>8mm</td></tr> <tr><td>O</td><td>Consult Factory</td></tr> </table>	3	3mm*	4	4mm	6	6mm	8	8mm	O	Consult Factory
3	3mm*											
4	4mm											
6	6mm											
8	8mm											
O	Consult Factory											
Type of Cable	<input type="text"/>	<table border="1"> <tr><td>A</td><td>PTFE / PTFE</td></tr> <tr><td>B</td><td>PTFE / FG / SSB</td></tr> </table>	A	PTFE / PTFE	B	PTFE / FG / SSB						
A	PTFE / PTFE											
B	PTFE / FG / SSB											
Lenght of Cable	<input type="text"/>	<input type="text" value="Specify"/>										
Termination	<input type="text"/>	<input type="text" value="Refer Termination Styles Sheet"/>										
Nominal Length "L"	<input type="text"/>	<input type="text" value="Specify"/>										

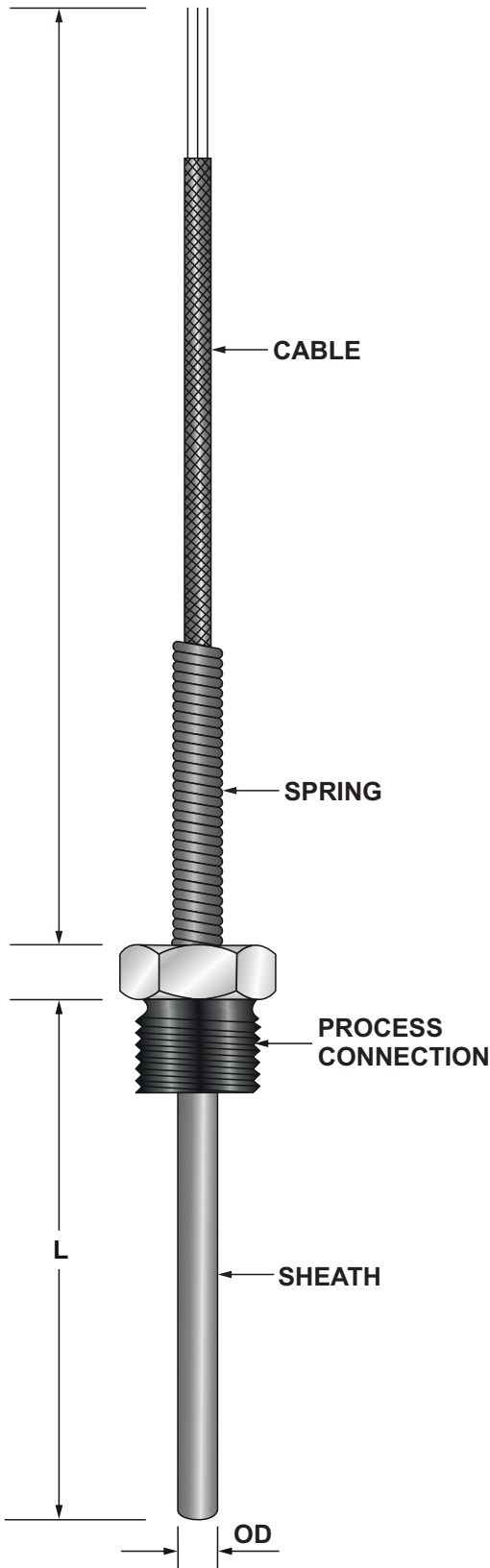
Note :- * 4 Wire available in Simplex only
* 3mm not available in 400°C (Duplex)

Process Precision Instruments



RTD TRANSITION JOINT TYPE WITH FIXED FITTING

RTD - 18



Element	<input type="text"/>	A	Pt- 100 x 1, Simplex
		B	Pt- 100 x 2, Duplex
		O	Consult Factory
Configuration	<input type="text"/>	J2	2 - Wire
		J3	3 - Wire
		J4	4 - Wire*
		O	Consult Factory
Temp. Range	<input type="text"/>	T1	-20 to 250°C
		T2	-150 to 400°C
		O	Consult Factory
Sheath Material	<input type="text"/>	316	SS 316
		O	Consult Factory
Sheath "OD"	<input type="text"/>	3	3mm*
		4	4mm
		6	6mm
		8	8mm
		O	Consult Factory
Process Connection	<input type="text"/>	Threads BSP / NPT	1/4" 3/8" 1/2" 3/4" 1" 1 1/4" 1 1/2" 2"
		M -Threads	M18 X 1.5 M20 X 1.5 M27 X 2 M33 X 2
		O	Consult Factory
Type of Cable	<input type="text"/>	A	PTFE / PTFE
		B	PTFE / FG / SSB
Length of Cable	<input type="text"/>	Specify	
Termination	<input type="text"/>	Refer Termination Styles Sheet	
Nominal Length "L"	<input type="text"/>	Specify	

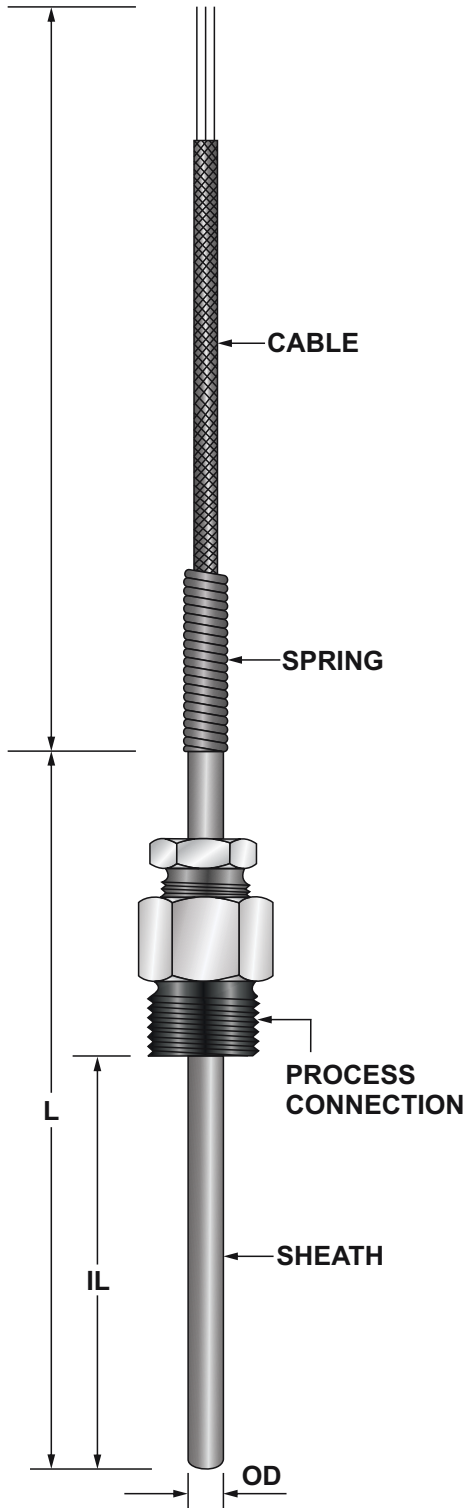
Note :- * 4 Wire available in Simplex only
* 3mm not available in 400°C (Duplex)

Process Precision Instruments

📍 101, Diamond Industrial Estate, Navghar, Vasai Road (E), Dist. Palghar - 401210, Maharashtra, India
 📞 Sales : 8208199048 / 8208141446 Support : 07498799226 / 08767395333
 ✉ sales@ppiindia.net 🖱 www.ppiindia.net

RTD TRANSITION JOINT TYPE WITH ADJUSTABLE FITTING

RTD - 19



Element	<input type="text"/>	<table border="1"> <tr><td>A</td><td>Pt- 100 x 1, Simplex</td></tr> <tr><td>B</td><td>Pt- 100 x 2, Duplex</td></tr> <tr><td>O</td><td>Consult Factory</td></tr> </table>	A	Pt- 100 x 1, Simplex	B	Pt- 100 x 2, Duplex	O	Consult Factory																	
A	Pt- 100 x 1, Simplex																								
B	Pt- 100 x 2, Duplex																								
O	Consult Factory																								
Configuration	<input type="text"/>	<table border="1"> <tr><td>J2</td><td>2 - Wire</td></tr> <tr><td>J3</td><td>3 - Wire</td></tr> <tr><td>J4</td><td>4 - Wire*</td></tr> <tr><td>O</td><td>Consult Factory</td></tr> </table>	J2	2 - Wire	J3	3 - Wire	J4	4 - Wire*	O	Consult Factory															
J2	2 - Wire																								
J3	3 - Wire																								
J4	4 - Wire*																								
O	Consult Factory																								
Temp. Range	<input type="text"/>	<table border="1"> <tr><td>T1</td><td>-20 to 250°C</td></tr> <tr><td>T2</td><td>-150 to 400°C</td></tr> <tr><td>O</td><td>Consult Factory</td></tr> </table>	T1	-20 to 250°C	T2	-150 to 400°C	O	Consult Factory																	
T1	-20 to 250°C																								
T2	-150 to 400°C																								
O	Consult Factory																								
Sheath Material	<input type="text"/>	<table border="1"> <tr><td>316</td><td>SS 316</td></tr> <tr><td>O</td><td>Consult Factory</td></tr> </table>	316	SS 316	O	Consult Factory																			
316	SS 316																								
O	Consult Factory																								
Sheath "OD"	<input type="text"/>	<table border="1"> <tr><td>3</td><td>3mm*</td></tr> <tr><td>4</td><td>4mm</td></tr> <tr><td>6</td><td>6mm</td></tr> <tr><td>8</td><td>8mm</td></tr> <tr><td>O</td><td>Consult Factory</td></tr> </table>	3	3mm*	4	4mm	6	6mm	8	8mm	O	Consult Factory													
3	3mm*																								
4	4mm																								
6	6mm																								
8	8mm																								
O	Consult Factory																								
Process Connection	<input type="text"/>	<table border="1"> <tr> <td rowspan="2">Threads BSP / NPT</td> <td>1/4"</td> <td>3/8"</td> <td>1/2"</td> <td>3/4"</td> </tr> <tr> <td>1"</td> <td>1 1/4"</td> <td>1 1/2"</td> <td>2"</td> </tr> <tr> <td rowspan="2">M -Threads</td> <td colspan="2">M18 X 1.5</td> <td colspan="2">M20 X 1.5</td> </tr> <tr> <td colspan="2">M27 X 2</td> <td colspan="2">M33 X 2</td> </tr> <tr> <td>O</td> <td colspan="4">Consult Factory</td> </tr> </table>	Threads BSP / NPT	1/4"	3/8"	1/2"	3/4"	1"	1 1/4"	1 1/2"	2"	M -Threads	M18 X 1.5		M20 X 1.5		M27 X 2		M33 X 2		O	Consult Factory			
Threads BSP / NPT	1/4"	3/8"		1/2"	3/4"																				
	1"	1 1/4"	1 1/2"	2"																					
M -Threads	M18 X 1.5		M20 X 1.5																						
	M27 X 2		M33 X 2																						
O	Consult Factory																								
Type of Cable	<input type="text"/>	<table border="1"> <tr><td>A</td><td>PTFE / PTFE</td></tr> <tr><td>B</td><td>PTFE / FG / SSB</td></tr> </table>	A	PTFE / PTFE	B	PTFE / FG / SSB																			
A	PTFE / PTFE																								
B	PTFE / FG / SSB																								
Length of Cable	<input type="text"/>	<input type="text" value="Specify"/>																							
Termination	<input type="text"/>	<input type="text" value="Refer Termination Styles Sheet"/>																							
Nominal Length "L"	<input type="text"/>	<input type="text" value="Specify"/>																							

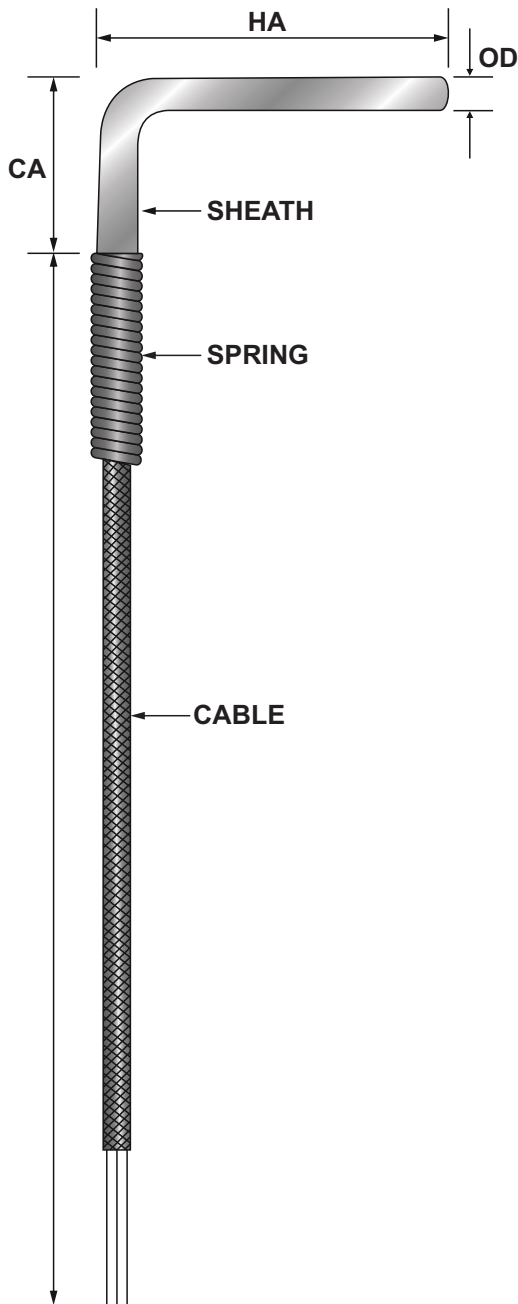
Note :- * 4 Wire available in Simplex only
* 3mm not available in 400°C (Duplex)

Process Precision Instruments

📍 101, Diamond Industrial Estate, Navghar, Vasai Road (E), Dist. Palghar - 401210, Maharashtra, India
 📞 Sales : 8208199048 / 8208141446 Support : 07498799226 / 08767395333
 ✉ sales@ppiindia.net 🖱 www.ppiindia.net



RTD - 20



Element	<input type="text"/>	<table border="1"> <tr><td>A</td><td>Pt- 100 x 1, Simplex</td></tr> <tr><td>B</td><td>Pt- 100 x 2, Duplex</td></tr> <tr><td>O</td><td>Consult Factory</td></tr> </table>	A	Pt- 100 x 1, Simplex	B	Pt- 100 x 2, Duplex	O	Consult Factory				
A	Pt- 100 x 1, Simplex											
B	Pt- 100 x 2, Duplex											
O	Consult Factory											
Configuration	<input type="text"/>	<table border="1"> <tr><td>J2</td><td>2 - Wire</td></tr> <tr><td>J3</td><td>3 - Wire</td></tr> <tr><td>J4</td><td>4 - Wire*</td></tr> <tr><td>O</td><td>Consult Factory</td></tr> </table>	J2	2 - Wire	J3	3 - Wire	J4	4 - Wire*	O	Consult Factory		
J2	2 - Wire											
J3	3 - Wire											
J4	4 - Wire*											
O	Consult Factory											
Temp. Range	<input type="text"/>	<table border="1"> <tr><td>T1</td><td>-20 to 250°C</td></tr> <tr><td>T2</td><td>-150 to 400°C</td></tr> <tr><td>O</td><td>Consult Factory</td></tr> </table>	T1	-20 to 250°C	T2	-150 to 400°C	O	Consult Factory				
T1	-20 to 250°C											
T2	-150 to 400°C											
O	Consult Factory											
Sheath Material	<input type="text"/>	<table border="1"> <tr><td>316</td><td>SS 316</td></tr> <tr><td>O</td><td>Consult Factory</td></tr> </table>	316	SS 316	O	Consult Factory						
316	SS 316											
O	Consult Factory											
Sheath "OD"	<input type="text"/>	<table border="1"> <tr><td>3</td><td>3mm*</td></tr> <tr><td>4</td><td>4mm</td></tr> <tr><td>6</td><td>6mm</td></tr> <tr><td>8</td><td>8mm</td></tr> <tr><td>O</td><td>Consult Factory</td></tr> </table>	3	3mm*	4	4mm	6	6mm	8	8mm	O	Consult Factory
3	3mm*											
4	4mm											
6	6mm											
8	8mm											
O	Consult Factory											
Type of Cable	<input type="text"/>	<table border="1"> <tr><td>A</td><td>PTFE / PTFE</td></tr> <tr><td>B</td><td>PTFE / FG / SSB</td></tr> </table>	A	PTFE / PTFE	B	PTFE / FG / SSB						
A	PTFE / PTFE											
B	PTFE / FG / SSB											
Length of Cable	<input type="text"/>	<input type="text" value="Specify"/>										
Termination	<input type="text"/>	<input type="text" value="Refer Termination Styles Sheet"/>										
Nominal Length "L"	<input type="text"/>	<table border="1"> <tr><td>HA</td><td>Specify</td></tr> <tr><td>CA</td><td>Specify</td></tr> </table>	HA	Specify	CA	Specify						
HA	Specify											
CA	Specify											

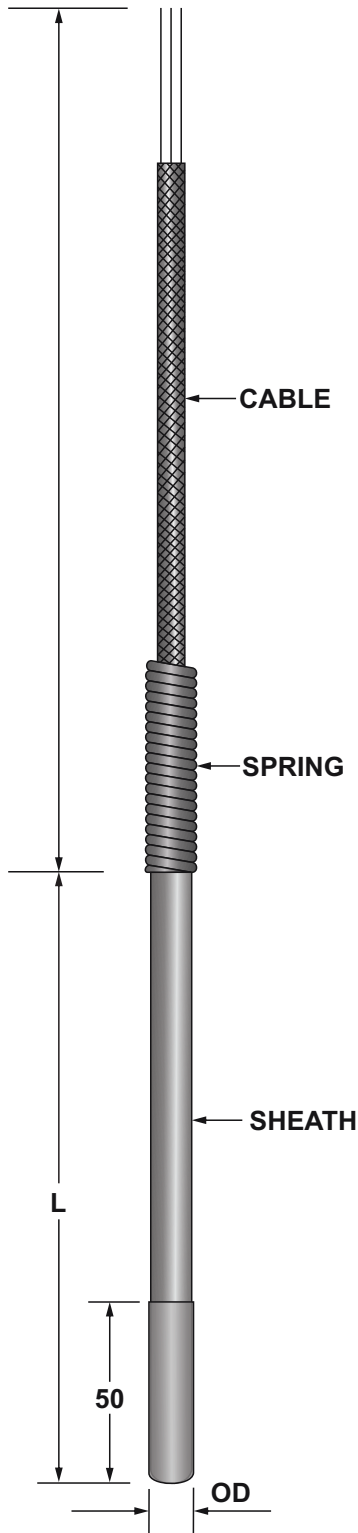
Note :- * 4 Wire available in Simplex only
* 3mm not available in 400°C (Duplex)

Process Precision Instruments



RTD TRANSITION JOINT TYPE (MINERAL INSULATED)

RTD - 21



Element	<input type="text"/>	<table border="1"> <tr><td>A</td><td>Pt- 100 x 1, Simplex</td></tr> <tr><td>B</td><td>Pt- 100 x 2, Duplex</td></tr> <tr><td>O</td><td>Consult Factory</td></tr> </table>	A	Pt- 100 x 1, Simplex	B	Pt- 100 x 2, Duplex	O	Consult Factory		
A	Pt- 100 x 1, Simplex									
B	Pt- 100 x 2, Duplex									
O	Consult Factory									
Configuration	<input type="text"/>	<table border="1"> <tr><td>J2</td><td>2 - Wire</td></tr> <tr><td>J3</td><td>3 - Wire</td></tr> <tr><td>J4</td><td>4 - Wire*</td></tr> <tr><td>O</td><td>Consult Factory</td></tr> </table>	J2	2 - Wire	J3	3 - Wire	J4	4 - Wire*	O	Consult Factory
J2	2 - Wire									
J3	3 - Wire									
J4	4 - Wire*									
O	Consult Factory									
Temp. Range	<input type="text"/>	<table border="1"> <tr><td>T1</td><td>-20 to 250°C</td></tr> <tr><td>T2</td><td>-150 to 400°C</td></tr> <tr><td>O</td><td>Consult Factory</td></tr> </table>	T1	-20 to 250°C	T2	-150 to 400°C	O	Consult Factory		
T1	-20 to 250°C									
T2	-150 to 400°C									
O	Consult Factory									
Sheath Material (Flexible)	<input type="text"/>	<table border="1"> <tr><td>316</td><td>MI SS 316</td></tr> <tr><td>O</td><td>Consult Factory</td></tr> </table>	316	MI SS 316	O	Consult Factory				
316	MI SS 316									
O	Consult Factory									
Sheath "OD"	<input type="text"/>	<table border="1"> <tr><td>3</td><td>3mm / OD1 - 4.5mm</td></tr> <tr><td>5</td><td>5mm / OD1 - 6mm</td></tr> <tr><td>O</td><td>Consult Factory</td></tr> </table>	3	3mm / OD1 - 4.5mm	5	5mm / OD1 - 6mm	O	Consult Factory		
3	3mm / OD1 - 4.5mm									
5	5mm / OD1 - 6mm									
O	Consult Factory									
Type of Cable	<input type="text"/>	<table border="1"> <tr><td>A</td><td>PTFE / PTFE</td></tr> <tr><td>B</td><td>PTFE / FG / SSB</td></tr> </table>	A	PTFE / PTFE	B	PTFE / FG / SSB				
A	PTFE / PTFE									
B	PTFE / FG / SSB									
Length of Cable	<input type="text"/>	<input type="text" value="Specify"/>								
Termination	<input type="text"/>	<input type="text" value="Refer Termination Styles Sheet"/>								
Nominal Length "L"	<input type="text"/>	<input type="text" value="Specify"/>								

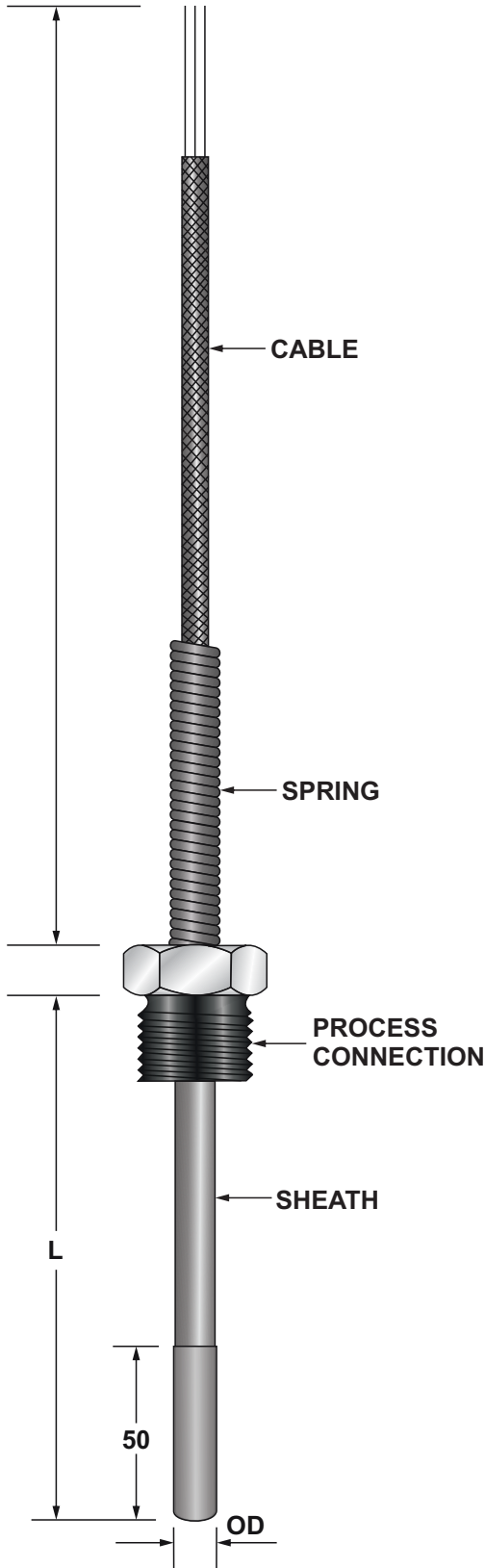
Note :- * 4 Wire available in Simplex only

Process Precision Instruments



RTD TRANSITION JOINT TYPE WITH FIXED FITTING (MINERAL INSULATED)

RTD - 22



Element	<input type="text"/>	<table border="1"> <tr><td>A</td><td>Pt- 100 x 1, Simplex</td></tr> <tr><td>B</td><td>Pt- 100 x 2, Duplex</td></tr> <tr><td>O</td><td>Consult Factory</td></tr> </table>	A	Pt- 100 x 1, Simplex	B	Pt- 100 x 2, Duplex	O	Consult Factory																			
A	Pt- 100 x 1, Simplex																										
B	Pt- 100 x 2, Duplex																										
O	Consult Factory																										
Configuration	<input type="text"/>	<table border="1"> <tr><td>J2</td><td>2 - Wire</td></tr> <tr><td>J3</td><td>3 - Wire</td></tr> <tr><td>J4</td><td>4 - Wire*</td></tr> <tr><td>O</td><td>Consult Factory</td></tr> </table>	J2	2 - Wire	J3	3 - Wire	J4	4 - Wire*	O	Consult Factory																	
J2	2 - Wire																										
J3	3 - Wire																										
J4	4 - Wire*																										
O	Consult Factory																										
Temp. Range	<input type="text"/>	<table border="1"> <tr><td>T1</td><td>-20 to 250°C</td></tr> <tr><td>T2</td><td>-150 to 400°C</td></tr> <tr><td>O</td><td>Consult Factory</td></tr> </table>	T1	-20 to 250°C	T2	-150 to 400°C	O	Consult Factory																			
T1	-20 to 250°C																										
T2	-150 to 400°C																										
O	Consult Factory																										
Sheath Material (Flexible)	<input type="text"/>	<table border="1"> <tr><td>316</td><td>MI SS 316</td></tr> <tr><td>O</td><td>Consult Factory</td></tr> </table>	316	MI SS 316	O	Consult Factory																					
316	MI SS 316																										
O	Consult Factory																										
Sheath "OD"	<input type="text"/>	<table border="1"> <tr><td>3</td><td>3mm / OD1 - 4.5mm</td></tr> <tr><td>5</td><td>5mm / OD1 - 6mm</td></tr> <tr><td>O</td><td>Consult Factory</td></tr> </table>	3	3mm / OD1 - 4.5mm	5	5mm / OD1 - 6mm	O	Consult Factory																			
3	3mm / OD1 - 4.5mm																										
5	5mm / OD1 - 6mm																										
O	Consult Factory																										
Process Connection	<input type="text"/>	<table border="1"> <tr> <td>Threads BSP / NPT</td> <td>1/4"</td> <td>3/8"</td> <td>1/2"</td> <td>3/4"</td> </tr> <tr> <td></td> <td>1"</td> <td>1 1/4"</td> <td>1 1/2"</td> <td>2"</td> </tr> <tr> <td>M -Threads</td> <td colspan="2">M18 X 1.5</td> <td colspan="2">M20 X 1.5</td> </tr> <tr> <td></td> <td colspan="2">M27 X 2</td> <td colspan="2">M33 X 2</td> </tr> <tr> <td>O</td> <td colspan="4">Consult Factory</td> </tr> </table>	Threads BSP / NPT	1/4"	3/8"	1/2"	3/4"		1"	1 1/4"	1 1/2"	2"	M -Threads	M18 X 1.5		M20 X 1.5			M27 X 2		M33 X 2		O	Consult Factory			
Threads BSP / NPT	1/4"	3/8"	1/2"	3/4"																							
	1"	1 1/4"	1 1/2"	2"																							
M -Threads	M18 X 1.5		M20 X 1.5																								
	M27 X 2		M33 X 2																								
O	Consult Factory																										
Type of Cable	<input type="text"/>	<table border="1"> <tr><td>A</td><td>PTFE / PTFE</td></tr> <tr><td>B</td><td>PTFE / FG / SSB</td></tr> </table>	A	PTFE / PTFE	B	PTFE / FG / SSB																					
A	PTFE / PTFE																										
B	PTFE / FG / SSB																										
Length of Cable	<input type="text"/>	<input type="text" value="Specify"/>																									
Termination	<input type="text"/>	<input type="text" value="Refer Termination Styles Sheet"/>																									
Nominal Length "L"	<input type="text"/>	<input type="text" value="Specify"/>																									

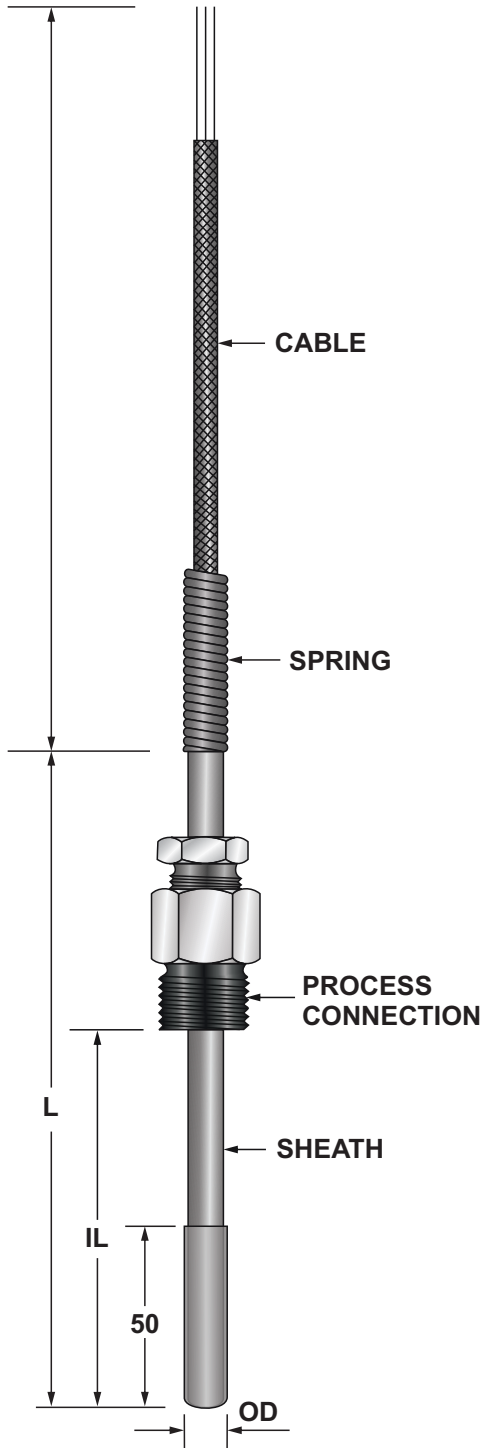
Note :- * 4 Wire available in Simplex only

Process Precision Instruments



RTD TRANSITION JOINT TYPE WITH ADJUSTABLE FITTING (MINERAL INSULATED)

RTD - 23



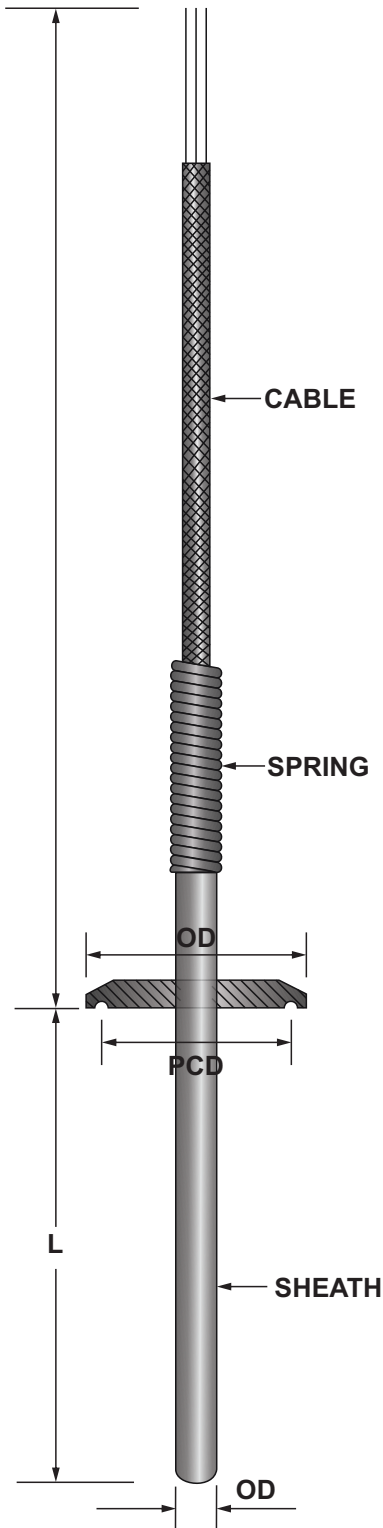
Element		A	Pt- 100 x 1, Simplex			
		B	Pt- 100 x 2, Duplex			
		O	Consult Factory			
Configuration		J2	2 - Wire			
		J3	3 - Wire			
		J4	4 - Wire*			
		O	Consult Factory			
Temp. Range		T1	-20 to 250°C			
		T2	-150 to 400°C			
		O	Consult Factory			
Sheath Material (Flexible)		316	MI SS 316			
		O	Consult Factory			
Sheath "OD"		3	3mm / OD1 - 4.5mm			
		5	5mm / OD1 - 6mm			
		O	Consult Factory			
Process Connection		Threads	1/4"	3/8"	1/2"	3/4"
		BSP / NPT	1"	1 1/4"	1 1/2"	2"
		M -Threads	M18 X 1.5		M20 X 1.5	
			M27 X 2		M33 X 2	
	O	Consult Factory				
Type of Cable		A	PTFE / PTFE			
		B	PTFE / FG / SSB			
Length of Cable		Specify				
Termination		Refer Termination Styles Sheet				
Nominal Length "L"		Specify				

Note :- * 4 Wire available in Simplex only

Process Precision Instruments

RTD TRANSITION JOINT TYPE WITH TRICLOVER FLANGE

RTD - 24

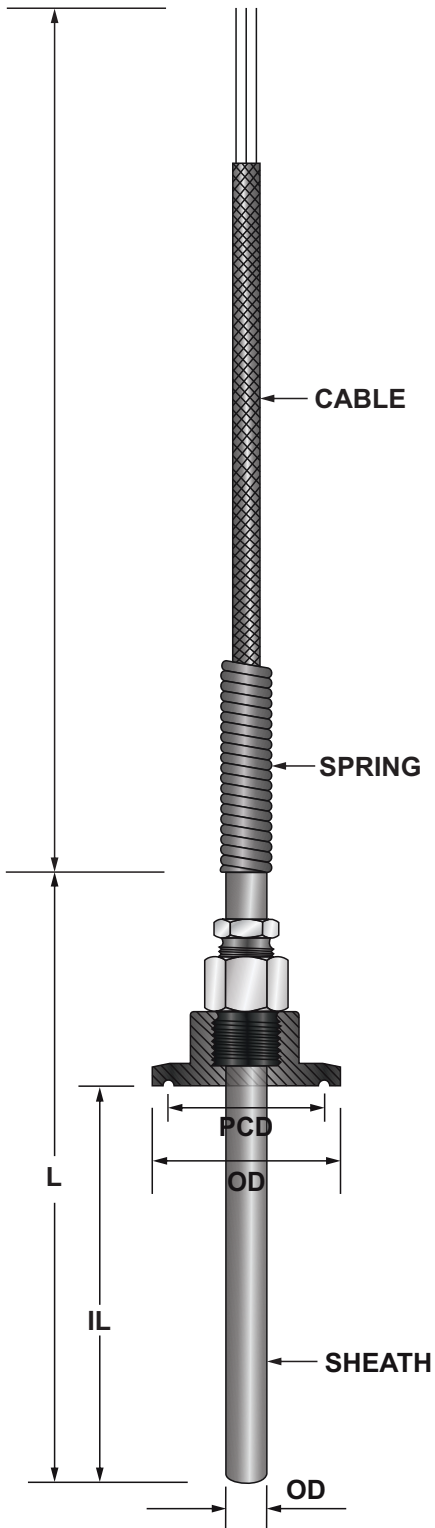


Element	<input type="text"/>	<table border="1"> <tr><td>A</td><td>Pt- 100 x 1, Simplex</td></tr> <tr><td>B</td><td>Pt- 100 x 2, Duplex</td></tr> <tr><td>O</td><td>Consult Factory</td></tr> </table>	A	Pt- 100 x 1, Simplex	B	Pt- 100 x 2, Duplex	O	Consult Factory		
A	Pt- 100 x 1, Simplex									
B	Pt- 100 x 2, Duplex									
O	Consult Factory									
Configuration	<input type="text"/>	<table border="1"> <tr><td>J2</td><td>2 - Wire</td></tr> <tr><td>J3</td><td>3 - Wire</td></tr> <tr><td>J4</td><td>4 - Wire*</td></tr> <tr><td>O</td><td>Consult Factory</td></tr> </table>	J2	2 - Wire	J3	3 - Wire	J4	4 - Wire*	O	Consult Factory
J2	2 - Wire									
J3	3 - Wire									
J4	4 - Wire*									
O	Consult Factory									
Temp. Range	<input type="text"/>	<table border="1"> <tr><td>T1</td><td>-20 to 250°C</td></tr> <tr><td>T2</td><td>-150 to 400°C</td></tr> <tr><td>O</td><td>Consult Factory</td></tr> </table>	T1	-20 to 250°C	T2	-150 to 400°C	O	Consult Factory		
T1	-20 to 250°C									
T2	-150 to 400°C									
O	Consult Factory									
Sheath Material	<input type="text"/>	<table border="1"> <tr><td>316</td><td>SS 316</td></tr> <tr><td>O</td><td>Consult Factory</td></tr> </table>	316	SS 316	O	Consult Factory				
316	SS 316									
O	Consult Factory									
Sheath "OD"	<input type="text"/>	<table border="1"> <tr><td>6</td><td>6mm</td></tr> <tr><td>8</td><td>8mm</td></tr> <tr><td>O</td><td>Consult Factory</td></tr> </table>	6	6mm	8	8mm	O	Consult Factory		
6	6mm									
8	8mm									
O	Consult Factory									
Process Connection	<input type="text"/>	<table border="1"> <tr><td>OD (Specify)</td></tr> <tr><td>PCD (Specify)</td></tr> </table>	OD (Specify)	PCD (Specify)						
OD (Specify)										
PCD (Specify)										
Type of Cable	<input type="text"/>	<table border="1"> <tr><td>A</td><td>PTFE / PTFE</td></tr> <tr><td>B</td><td>PTFE / FG / SSB</td></tr> </table>	A	PTFE / PTFE	B	PTFE / FG / SSB				
A	PTFE / PTFE									
B	PTFE / FG / SSB									
Length of Cable	<input type="text"/>	<input type="text" value="Specify"/>								
Termination	<input type="text"/>	<input type="text" value="Refer Termination Styles Sheet"/>								
Nominal Length "L"	<input type="text"/>	<input type="text" value="Specify"/>								

Note :- * 4 Wire available in Simplex only

Process Precision Instruments

RTD - 25



Element	<input type="text"/>	<table border="1"> <tr><td>A</td><td>Pt- 100 x 1, Simplex</td></tr> <tr><td>B</td><td>Pt- 100 x 2, Duplex</td></tr> <tr><td>O</td><td>Consult Factory</td></tr> </table>	A	Pt- 100 x 1, Simplex	B	Pt- 100 x 2, Duplex	O	Consult Factory		
A	Pt- 100 x 1, Simplex									
B	Pt- 100 x 2, Duplex									
O	Consult Factory									
Configuration	<input type="text"/>	<table border="1"> <tr><td>J2</td><td>2 - Wire</td></tr> <tr><td>J3</td><td>3 - Wire</td></tr> <tr><td>J4</td><td>4 - Wire*</td></tr> <tr><td>O</td><td>Consult Factory</td></tr> </table>	J2	2 - Wire	J3	3 - Wire	J4	4 - Wire*	O	Consult Factory
J2	2 - Wire									
J3	3 - Wire									
J4	4 - Wire*									
O	Consult Factory									
Temp. Range	<input type="text"/>	<table border="1"> <tr><td>T1</td><td>-20 to 250°C</td></tr> <tr><td>T2</td><td>-150 to 400°C</td></tr> <tr><td>O</td><td>Consult Factory</td></tr> </table>	T1	-20 to 250°C	T2	-150 to 400°C	O	Consult Factory		
T1	-20 to 250°C									
T2	-150 to 400°C									
O	Consult Factory									
Sheath Material	<input type="text"/>	<table border="1"> <tr><td>316</td><td>SS 316</td></tr> <tr><td>O</td><td>Consult Factory</td></tr> </table>	316	SS 316	O	Consult Factory				
316	SS 316									
O	Consult Factory									
Sheath "OD"	<input type="text"/>	<table border="1"> <tr><td>6</td><td>6mm</td></tr> <tr><td>8</td><td>8mm</td></tr> <tr><td>O</td><td>Consult Factory</td></tr> </table>	6	6mm	8	8mm	O	Consult Factory		
6	6mm									
8	8mm									
O	Consult Factory									
Process Connection	<input type="text"/>	<table border="1"> <tr><td>OD (Specify)</td></tr> <tr><td>PCD (Specify)</td></tr> </table>	OD (Specify)	PCD (Specify)						
OD (Specify)										
PCD (Specify)										
Type of Cable	<input type="text"/>	<table border="1"> <tr><td>A</td><td>PTFE / PTFE</td></tr> <tr><td>B</td><td>PTFE / FG / SSB</td></tr> </table>	A	PTFE / PTFE	B	PTFE / FG / SSB				
A	PTFE / PTFE									
B	PTFE / FG / SSB									
Length of Cable	<input type="text"/>	<input type="text" value="Specify"/>								
Termination	<input type="text"/>	<input type="text" value="Refer Termination Styles Sheet"/>								
Nominal Length "L"	<input type="text"/>	<input type="text" value="Specify"/>								

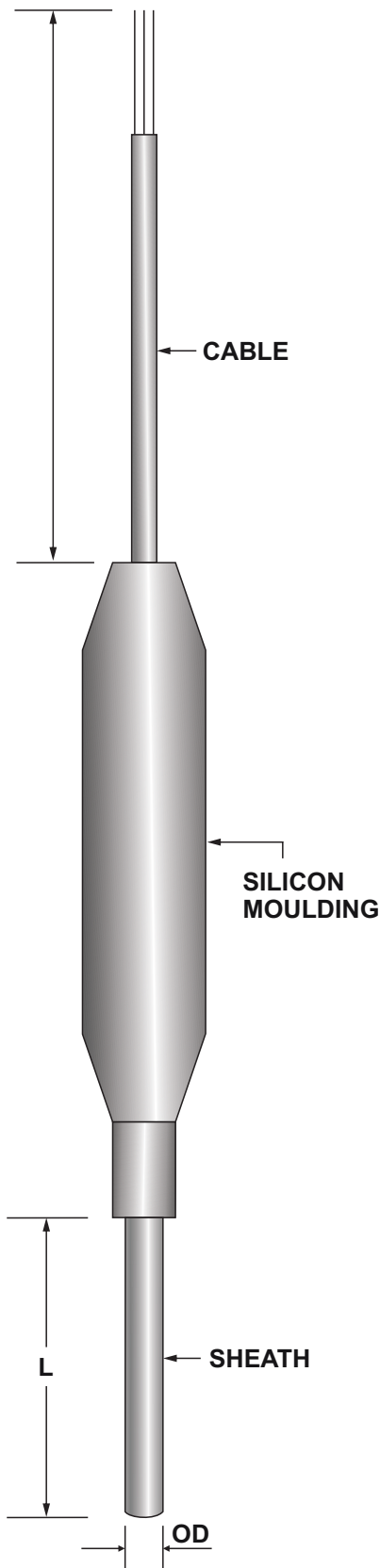
Note :- * 4 Wire available in Simplex only

Process Precision Instruments

101, Diamond Industrial Estate, Navghar, Vasai Road (E), Dist. Palghar - 401210, Maharashtra, India
 Sales : 8208199048 / 8208141446 Support : 07498799226 / 08767395333
 sales@ppiindia.net www.ppiindia.net



RTD - 26

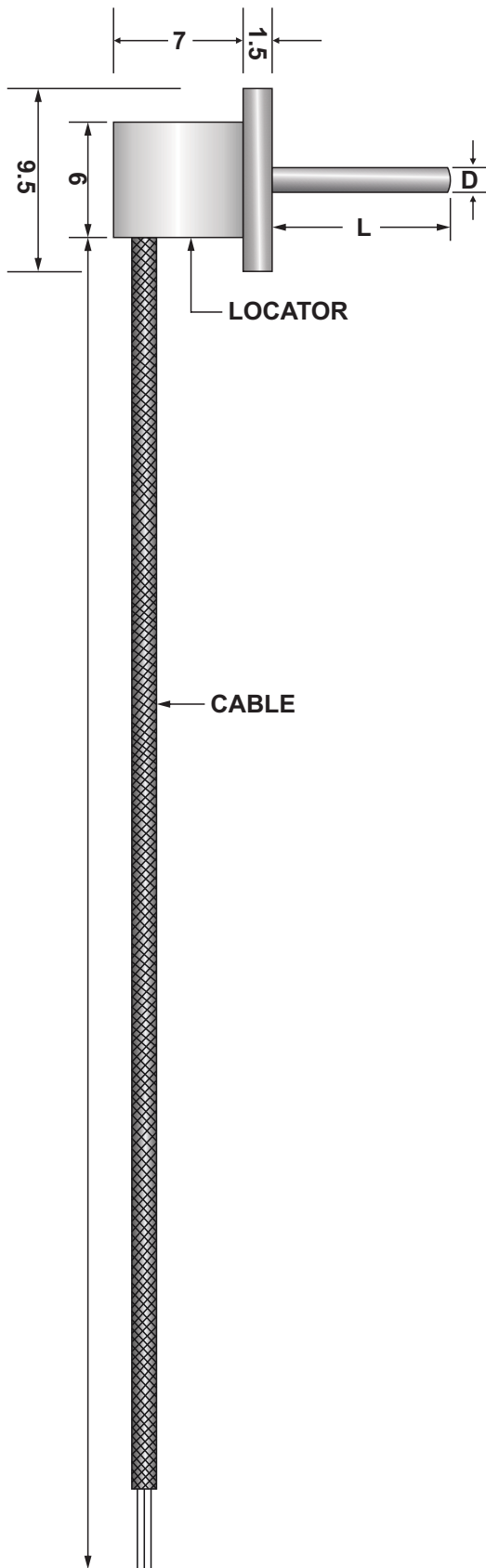


Element	<input type="text"/>	A	Pt- 100 x 1, Simplex
		B	Pt- 100 x 2, Duplex
		O	Consult Factory
Configuration	<input type="text"/>	J2	2 - Wire
		J3	3 - Wire
		O	Consult Factory
Temp. Range	<input type="text"/>	T1	-20 to 150°C
		O	Consult Factory
Sheath Material	<input type="text"/>	316	SS 316
		O	Consult Factory
Sheath "OD"	<input type="text"/>	6	6mm
		O	Consult Factory
Type of Cable	<input type="text"/>	A	PTFE / SILICON
		O	Consult Factory
Length of Cable	<input type="text"/>	<input type="text" value="Specify"/>	
Termination	<input type="text"/>	<input type="text" value="Refer Termination Styles Sheet"/>	
Nominal Length "L"	<input type="text"/>	<input type="text" value="Specify"/>	

Process Precision Instruments



RTD - 27



Element	<input type="text"/>	A	Pt- 100 x 1, Simplex
		O	Consult Factory
Configuration	<input type="text"/>	J2	2 - Wire
		J3	3 - Wire
		O	Consult Factory
Temp. Range	<input type="text"/>	T1	-20 to 250°C
		O	Consult Factory
Sheath Material	<input type="text"/>	316	SS 316
		O	Consult Factory
Sheath "OD"	<input type="text"/>	2	2mm
		O	Consult Factory
Type of Cable	<input type="text"/>	A	PTFE / PTFE
		B	PTFE / FG / SSB
Lenght of Cable	<input type="text"/>	<input type="text" value="Specify"/>	
Termination	<input type="text"/>	<input type="text" value="Refer Termination Styles Sheet"/>	
Nominal Length "L"	<input type="text"/>	<input type="text" value="Specify"/>	

Process Precision Instruments

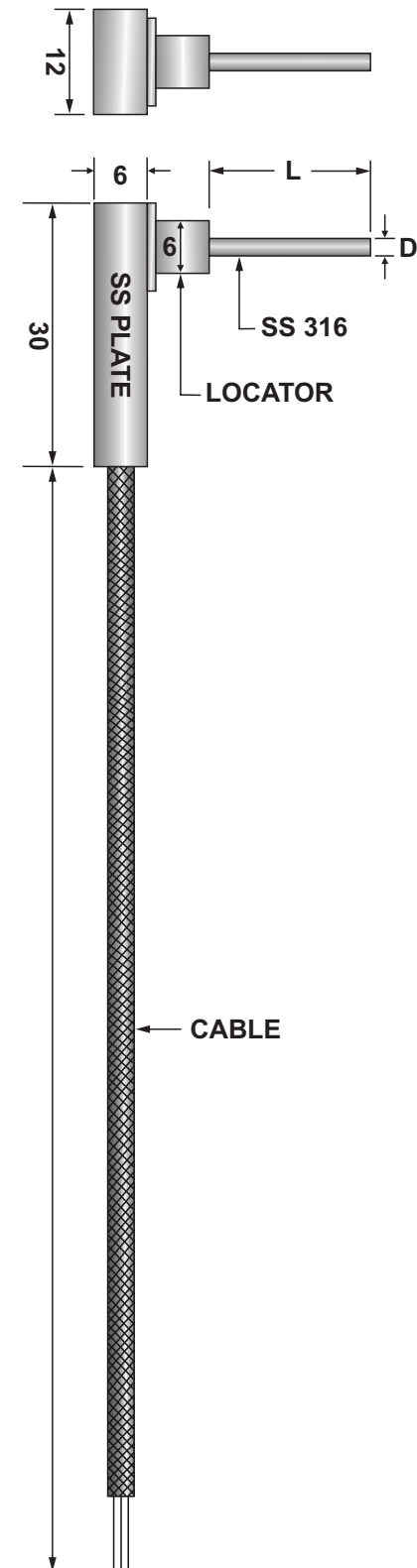
101, Diamond Industrial Estate, Navghar, Vasai Road (E), Dist. Palghar - 401210, Maharashtra, India

Sales : 8208199048 / 8208141446 Support : 07498799226 / 08767395333

sales@ppiindia.net www.ppiindia.net



RTD - 28



Element	<input type="text"/>	A	Pt- 100 x 1, Simplex
		O	Consult Factory
Configuration	<input type="text"/>	J2	2 - Wire
		J3	3 - Wire
		O	Consult Factory
Temp. Range	<input type="text"/>	T1	-20 to 250°C
		O	Consult Factory
Sheath Material	<input type="text"/>	316	SS 316
		O	Consult Factory
Sheath "OD"	<input type="text"/>	2	2mm
		O	Consult Factory
Type of Cable	<input type="text"/>	A	PTFE / PTFE
		B	PTFE / FG / SSB
Length of Cable	<input type="text"/>	<input type="text" value="Specify"/>	
Termination	<input type="text"/>	<input type="text" value="Refer Termination Styles Sheet"/>	
Nominal Length "L"	<input type="text"/>	<input type="text" value="Specify"/>	

Process Precision Instruments

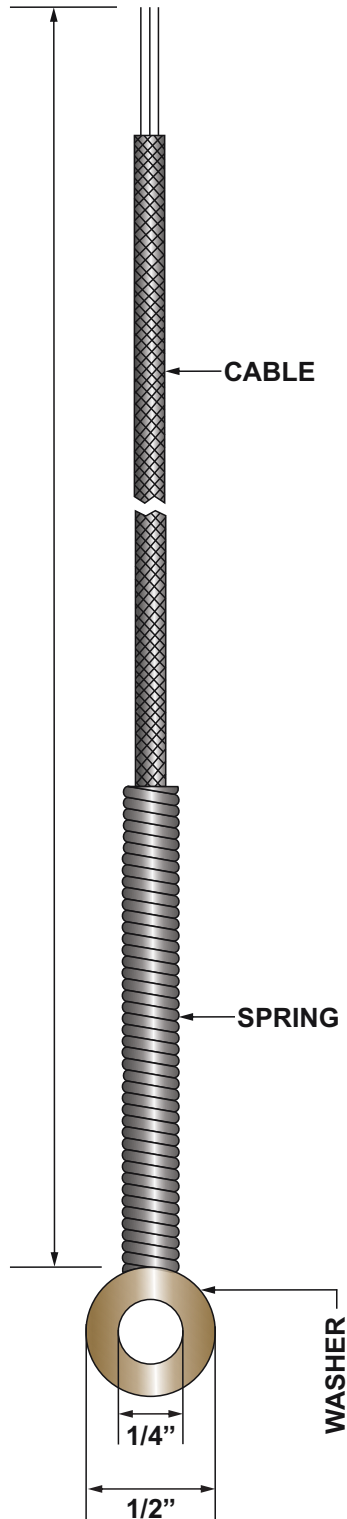
101, Diamond Industrial Estate, Navghar, Vasai Road (E), Dist. Palghar - 401210, Maharashtra, India

Sales : 8208199048 / 8208141446 Support : 07498799226 / 08767395333

sales@ppiindia.net www.ppiindia.net



RTD - 29



Element	<input type="text"/>	A	Pt- 100 x 1, Simplex
		O	Consult Factory
Configuration	<input type="text"/>	J2	2 - Wire
		J3	3 - Wire
		O	Consult Factory
Temp. Range	<input type="text"/>	T1	-20 to 250°C
		T2	-150 to 400°C
		O	Consult Factory
Washer Material	<input type="text"/>	B	BRASS
		O	Consult Factory
Washer OD / ID	<input type="text"/>	A	1/2" / 1/4"
		O	Consult Factory
Type of Cable	<input type="text"/>	A	PTFE / PTFE
		B	PTFE / FG / SSB
Lenght of Cable	<input type="text"/>	Specify	
Termination	<input type="text"/>	Refer Termination Styles Sheet	

Process Precision Instruments

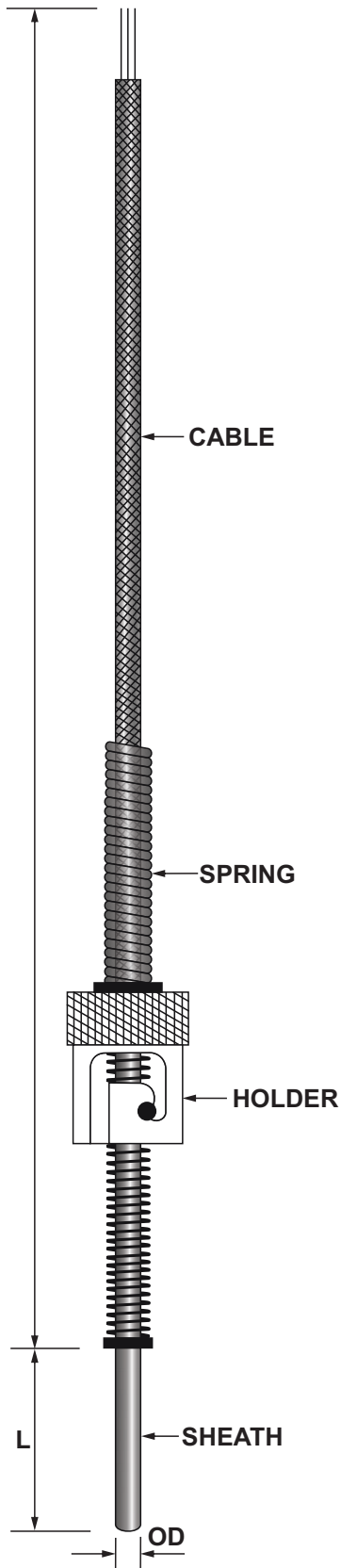
101, Diamond Industrial Estate, Navghar, Vasai Road (E), Dist. Palghar - 401210, Maharashtra, India

Sales : 8208199048 / 8208141446 Support : 07498799226 / 08767395333

sales@ppiindia.net www.ppiindia.net



RTD - 30



Element	A	Pt- 100 x 1, Simplex
	O	Consult Factory
Configuration	J2	2 - Wire
	J3	3 - Wire
	O	Consult Factory
Temp. Range	T1	-20 to 250°C
	T2	-150 to 400°C
	O	Consult Factory
Sheath Material	316	SS 316
	O	Consult Factory
Tip "OD"	3	3mm
	4.7	4.7mm
	6	6mm
	O	Consult Factory
Tip "L"	Specify	
Holder (ID)	A	1/2"
	B	16mm
	O	Consult Factory
Type of Cable	A	PTFE / PTFE
	B	PTFE / FG / SSB
Length of Cable	Specify	
Termination	Refer Termination Styles Sheet	

Process Precision Instruments

101, Diamond Industrial Estate, Navghar, Vasai Road (E), Dist. Palghar - 401210, Maharashtra, India

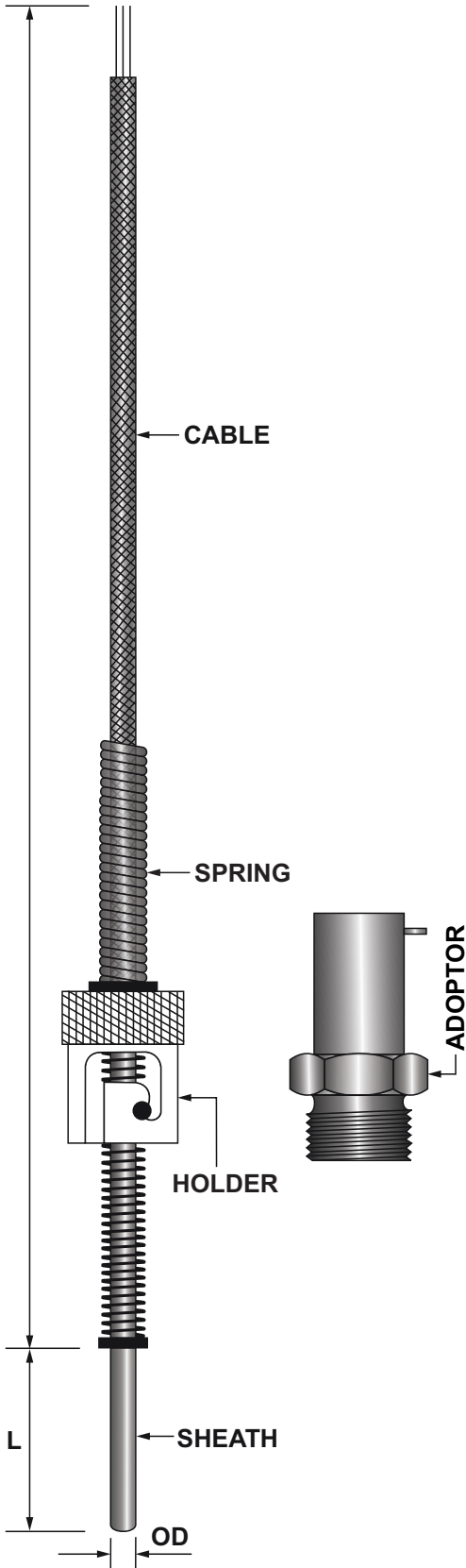
Sales : 8208199048 / 8208141446 Support : 07498799226 / 08767395333

sales@ppiindia.net www.ppiindia.net



RTD BAYONET (SPRING LOADED) WITH ADOPTOR

RTD - 31



Element	<input type="text"/>	A	Pt- 100 x 1, Simplex
		O	Consult Factory
Configuration	<input type="text"/>	J2	2 - Wire
		J3	3 - Wire
		O	Consult Factory
Temp. Range	<input type="text"/>	T1	-20 to 250°C
		T2	-150 to 400°C
		O	Consult Factory
Sheath Material	<input type="text"/>	316	SS 316
		O	Consult Factory
Tip "OD"	<input type="text"/>	3	3mm
		4.7	4.7mm
		6	6mm
		O	Consult Factory
Tip "L"	<input type="text"/>	Specify	
Holder (ID)	<input type="text"/>	A	1/2"
		B	16mm
		O	Consult Factory
Adaptor	<input type="text"/>	A	1/8" BSP
		B	1/2" BSW
		C	M 12
		D	M 14
		O	Consult Factory
Type of Cable	<input type="text"/>	A	PTFE / PTFE
		B	PTFE / FG / SSB
Lenght of Cable	<input type="text"/>	Specify	
Termination	<input type="text"/>	Refer Termination Styles Sheet	

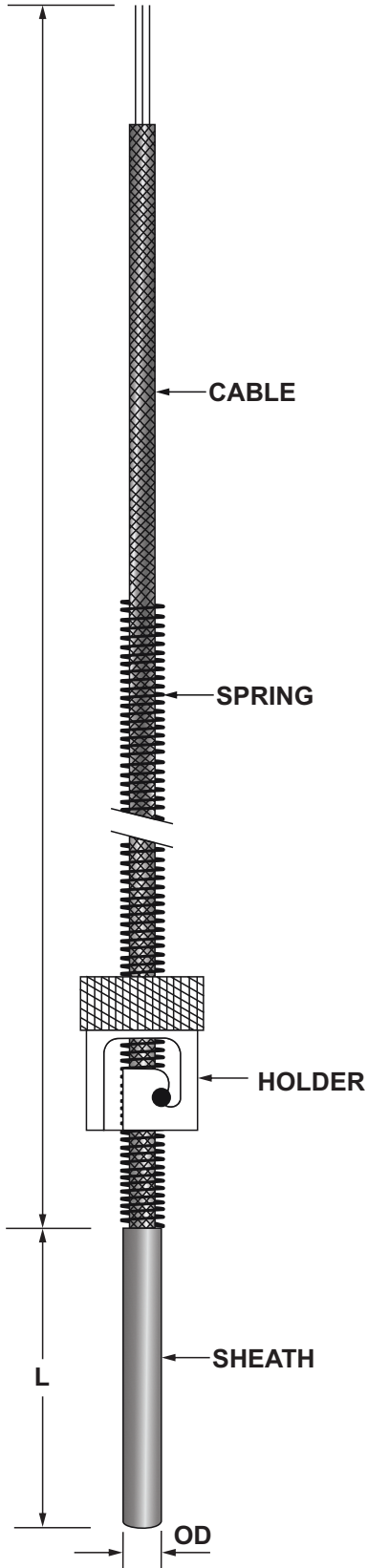
Process Precision Instruments

📍 101, Diamond Industrial Estate, Navghar, Vasai Road (E), Dist. Palghar - 401210, Maharashtra, India

☎ Sales : 8208199048 / 8208141446 Support : 07498799226 / 08767395333

✉ sales@ppiindia.net 🖱 www.ppiindia.net

RTD - 32



Element	<input type="text"/>	A	Pt- 100 x 1, Simplex
		O	Consult Factory
Configuration	<input type="text"/>	J2	2 - Wire
		J3	3 - Wire
		O	Consult Factory
Temp. Range	<input type="text"/>	T1	-20 to 250°C
		T2	-150 to 400°C
		O	Consult Factory
Sheath Material	<input type="text"/>	316	SS 316
		O	Consult Factory
Tip "OD"	<input type="text"/>	3	3mm
		4.7	4.7mm
		6	6mm
		O	Consult Factory
Tip "L"	<input type="text"/>	Specify	
Holder (ID)	<input type="text"/>	A	1/2"
		B	16mm
		O	Consult Factory
Type of Cable	<input type="text"/>	A	PTFE / PTFE
		B	PTFE / FG / SSB
Length of Cable	<input type="text"/>	Specify	
Termination	<input type="text"/>	Refer Termination Styles Sheet	

Process Precision Instruments

📍 101, Diamond Industrial Estate, Navghar, Vasai Road (E), Dist. Palghar - 401210, Maharashtra, India

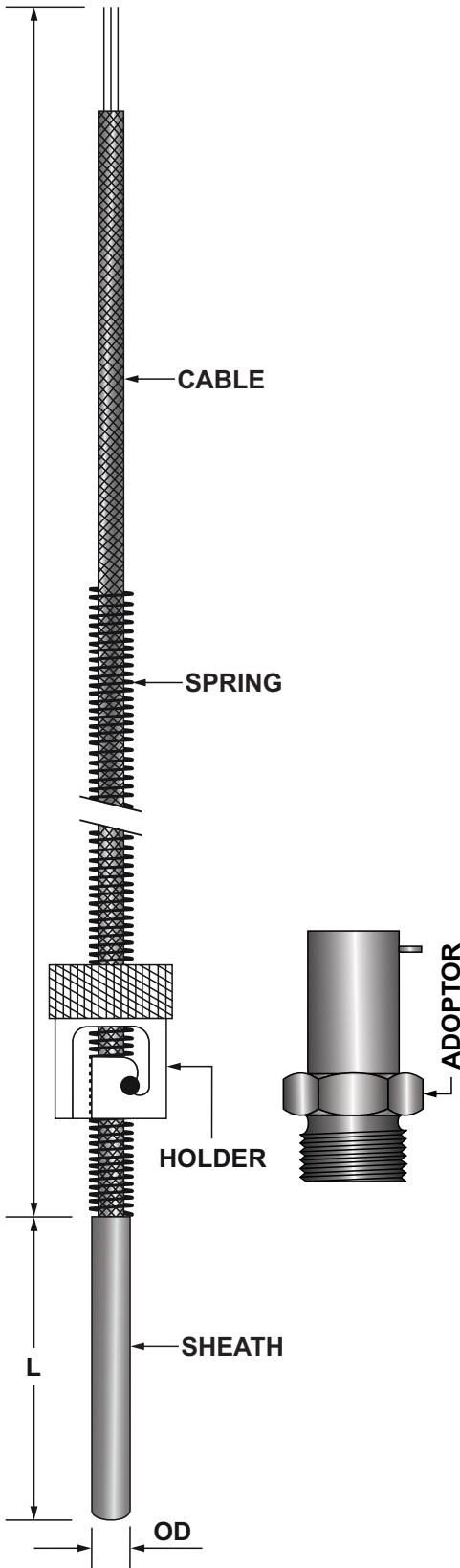
☎ Sales : 8208199048 / 8208141446 Support : 07498799226 / 08767395333

✉ sales@ppiindia.net 🖱 www.ppiindia.net



RTD BAYONET (ADJUSTABLE) WITH ADOPTOR

RTD - 33



Element	<input type="text"/>	A	Pt- 100 x 1, Simplex
		O	Consult Factory
Configuration	<input type="text"/>	J2	2 - Wire
		J3	3 - Wire
		O	Consult Factory
Temp. Range	<input type="text"/>	T1	-20 to 250°C
		T2	-150 to 400°C
		O	Consult Factory
Sheath Material	<input type="text"/>	316	SS 316
		O	Consult Factory
Tip "OD"	<input type="text"/>	3	3mm
		4.7	4.7mm
		6	6mm
		O	Consult Factory
Tip "L"	<input type="text"/>	Specify	
Holder (ID)	<input type="text"/>	A	1/2"
		B	16mm
		O	Consult Factory
Adaptor	<input type="text"/>	A	1/8" BSP
		B	1/2" BSW
		C	M 12
		D	M 14
		O	Consult Factory
Type of Cable	<input type="text"/>	A	PTFE / PTFE
		B	PTFE / FG / SSB
Lenght of Cable	<input type="text"/>	Specify	
Termination	<input type="text"/>	Refer Termination Styles Sheet	

Process Precision Instruments

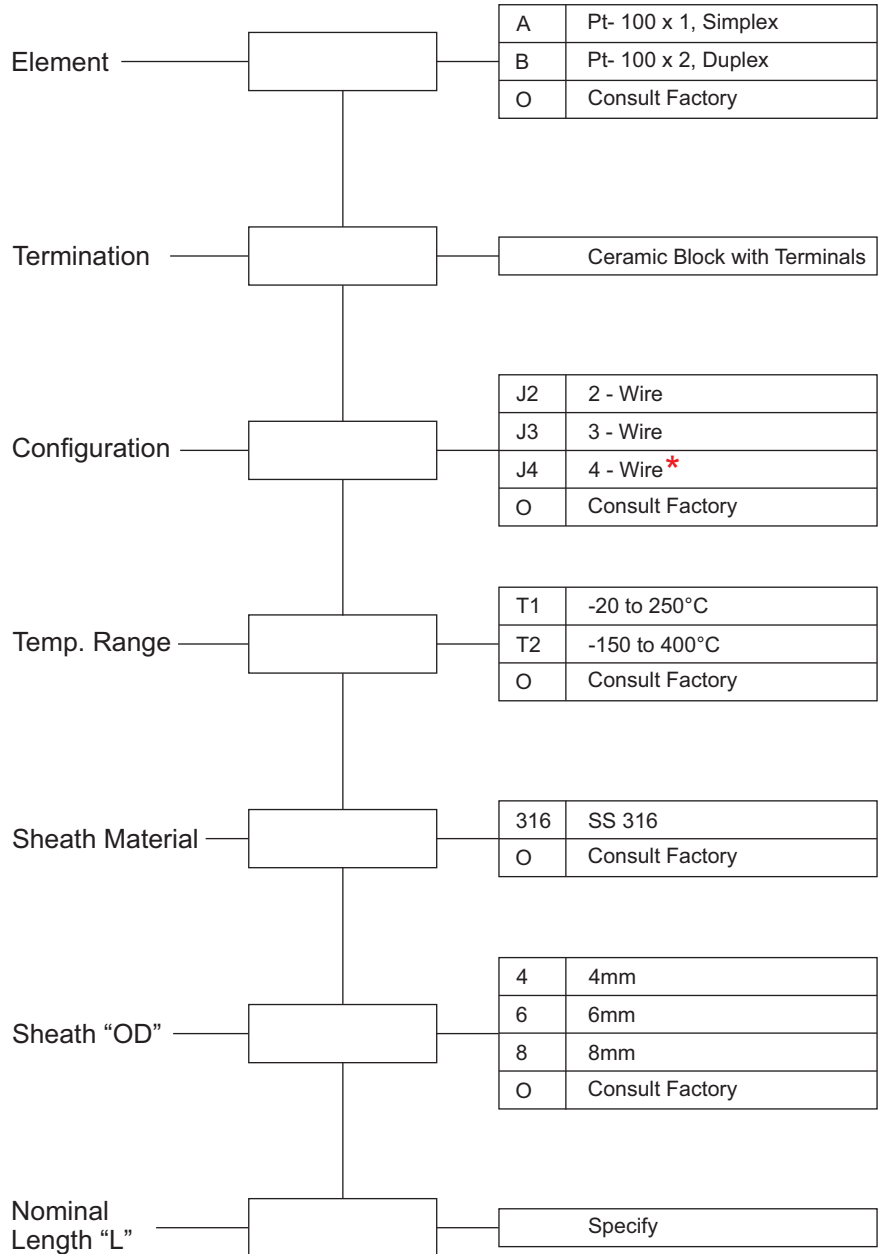
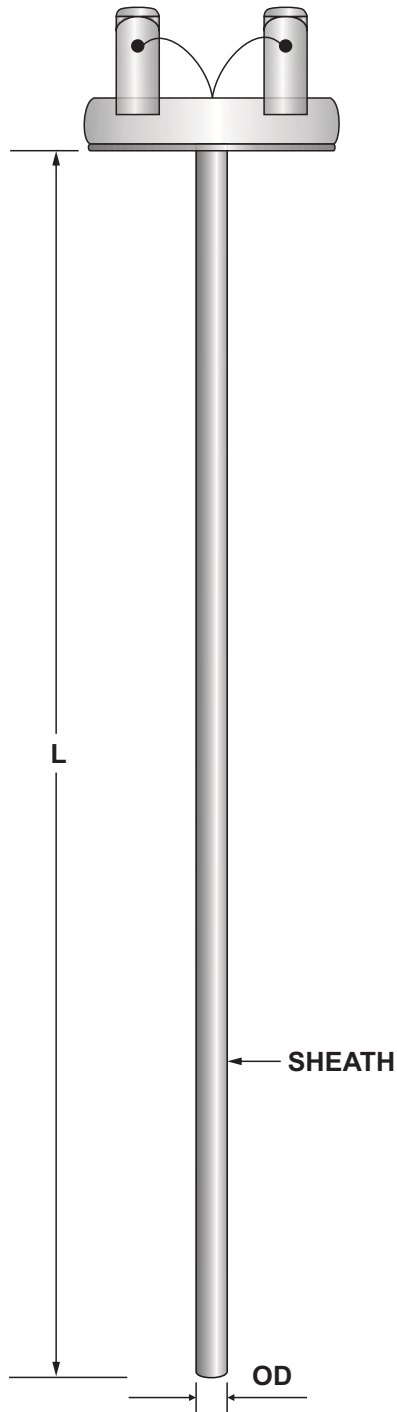
📍 101, Diamond Industrial Estate, Navghar, Vasai Road (E), Dist. Palghar - 401210, Maharashtra, India

☎ Sales : 8208199048 / 8208141446 Support : 07498799226 / 08767395333

✉ sales@ppiindia.net 🖱 www.ppiindia.net



RTD - 34

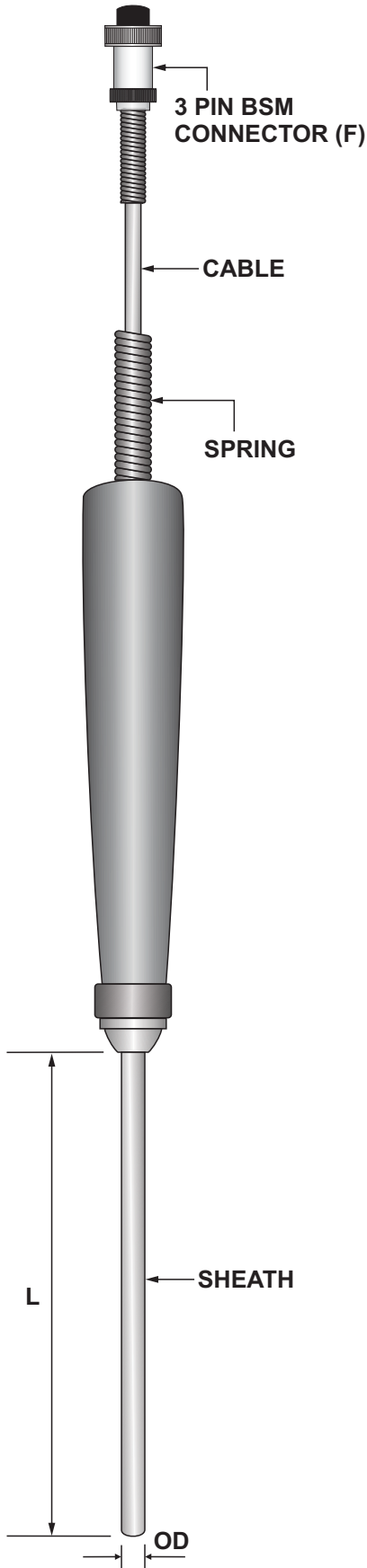


Note :- * 4 Wire available in Simplex only

Process Precision Instruments

RTD GENERAL PURPOSE IMMERSSION PROBE

RTD - 35



Element		Pt- 100 x 1, Simplex
Temp. Range	T1	-20 to 250°C
	T2	-150 to 400°C
	O	Consult Factory
Sheath Material	316	SS 316
	O	Consult Factory
Sheath "OD"	4	4mm
	O	Consult Factory
Type of Cable		PVC / PVC
	O	Consult Factory
Length of Cable		1 Mtr
	O	Consult Factory
Termination		3 Pin BSM Connector (F)
Nominal Length "L"		300mm
	O	Consult Factory

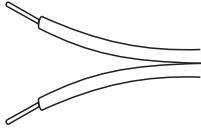
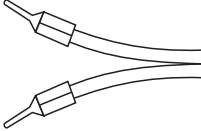
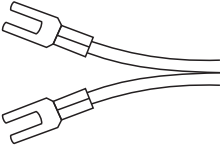
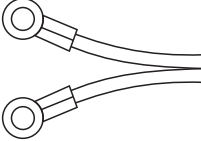
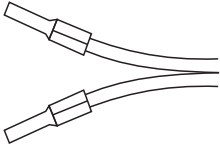
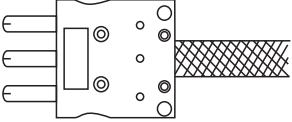
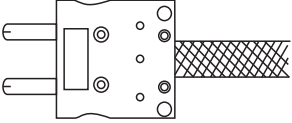
Process Precision Instruments

101, Diamond Industrial Estate, Navghar, Vasai Road (E), Dist. Palghar - 401210, Maharashtra, India

Sales : 8208199048 / 8208141446 Support : 07498799226 / 08767395333

sales@ppiindia.net www.ppiindia.net



BARE LEADS CODE BR	
PIN TYPE CODE PN	
FORK TYPE LUGS CODE FR	
RING TYPE LUGS CODE RG	
FLAT LUGS CODE FL	
MINIATURE PLUG CODE MP	
MINIATURE PLUG CODE MP	
MINIATURE SOCKET CODE MS	