



### Features

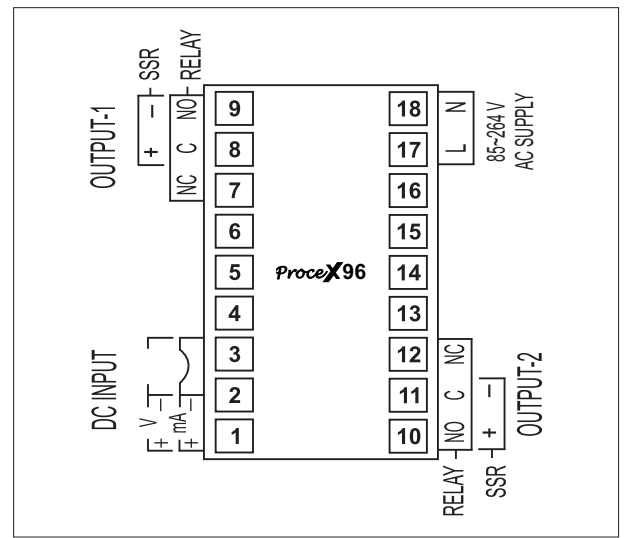
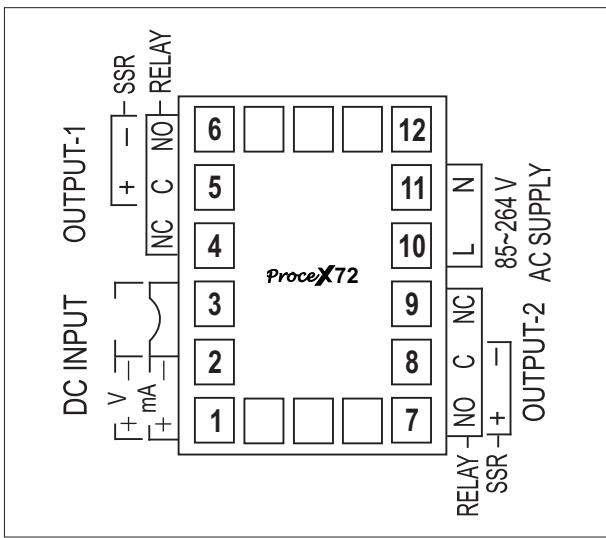
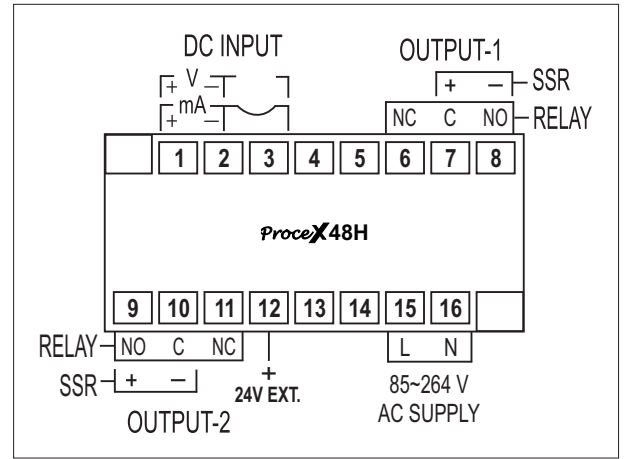
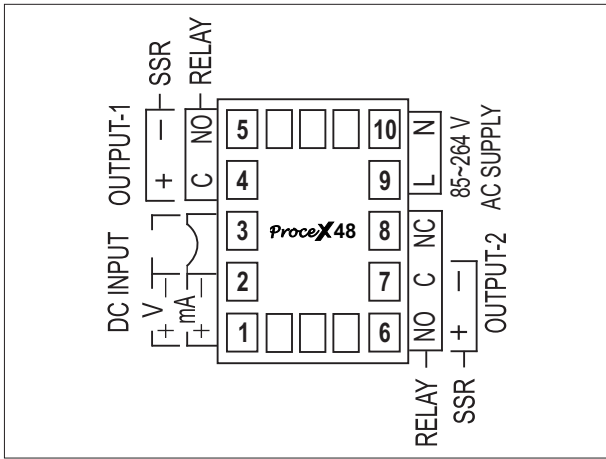
- 4 Digit Display
- DC Linear Voltage / Current Input
- User Programmable Process Value Range
- Facility to View & Store Min / Max Process Value
- Upto 2 Programmable Alarms
- Sizes (mm) : *ProceX 48* : 48(H) X 48(W) X 85(D)  
*ProceX 48H* : 48(H) X 96(W) X 65(D)  
*ProceX 72* : 72(H) X 72(W) X 65(D)  
*ProceX 96* : 96(H) X 96(W) X 65(D)

### Specifications

Display	
Digital Readout	4 digits, 0.3" bright Red LED, 7 Segment (ProceX48 & ProceX48H) 4 digits, 0.5" bright Red LED, 7 Segment (ProceX72 & ProceX96)
Status Indicators	2 Red LEDs (3mm Round)
Keys	
Type	3 Tactile Switches
Functions	PROGRAM, DOWN, UP
Signal Input	
Type	User Programmable : 0-20 mA, 4-20 mA, 0-5 VDC, 0-10 VDC
Accuracy	± 0.25% of reading ± 1 LSD
Display Range	User Adjustable from -1999 to 9999 Counts
Display Resolution	Settable As : 1, 0.1, 0.01

ADC	16 Bit ( $\pm 32,768$ Counts), Sigma-Delta ( $\Sigma\Delta$ )	
Sampling Time	200mS (5 Samples per Second)	
Input Resistance	> 8 MOhm	
CMR	> 100dB at 50/60 Hz	
Signal Conditioning	L-C Analog Filter	
Zero Offset	User Adjustable over Full Range	
<b>Excitation Voltage (Available in model Procex48H only)</b>		
Rating	24 VDC @ 40 mA	
<b>Alarms</b>		
Channels	2, Independent	
Type	Settable as : Process Low, Process High	
Logic	Settable as : Normal, Reverse	
Output-1 (For Alarm-1)	Relay Change-over Contacts rated 10A/230VAC, Resistive Load	
Output-2 (For Alarm-2)	Relay Change-over Contacts rated 10A/230VAC, Resistive Load	
<b>Power Supply</b>		
Type	Switch Mode (SMPS)	
Line Voltage	85~264 VAC/VDC, 50/60Hz	
Consumption	5VA Max	
<b>Physical</b>		
Mounting	Plug-in with Panel Mounting Clamps	
Panel Cutout (mm)	<b>ProceX48</b> : 45(H) X 45(W) <b>ProceX72</b> : 68(H) X 68(W)	<b>ProceX48H</b> : 45(H) X 92(W) <b>ProceX96</b> : 92(H) X 92(W)
Terminals	Screw Type	
Weight	225gm, Appx.	
<b>Environmental</b>		
Operating Ambient	0~55°C & 5~90%RH Non-condensing	
EMC Standards	EN50081-2 & EN 50082-2 Generic Stds for Industrial Environment	
Atmospheres	Not Suitable for use in Corrosive or Explosive Atmospheres. The Panel in which the Instrument is Mounted must be free of Electrically Conductive Pollution.	

# Back Panel Terminations



## Ordering Code

Input		Output-1		Output-2		Power Supply		Options		Size	
DC	DC Volts/Current	0	None	0	None	0	85~264 VAC	N	None	44	ProceX48
		1	Relay	1	Relay					49	ProceX48H
		2	SSR Drive	2	SSR Drive					77	ProceX72
										99	ProceX96

Example Code

**DC - 1 - 0 - 0 - N - 44**

DC Volts/Current Input, Output-1 Relay, Output-2 None, 85~264 VAC Supply, no option, 48 X 48 Size.