

DOMS-12

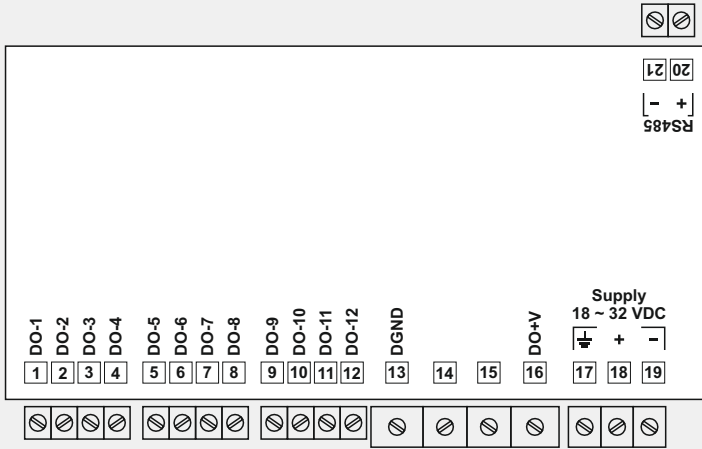
12 Channel Digital Output Module
MODBUS over RS485 Serial Interface

Operation Manual

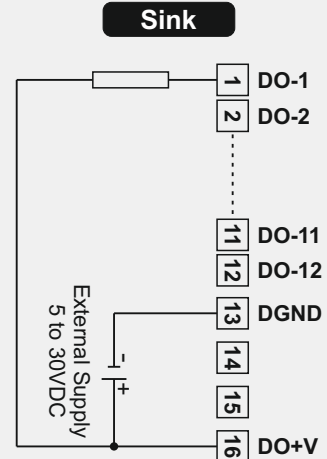
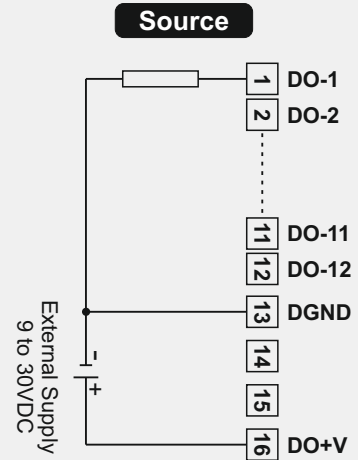
This brief manual is primarily meant for quick reference to wiring connections and parameter searching. For more details on operation and application; please log on to www.ppiindia.net



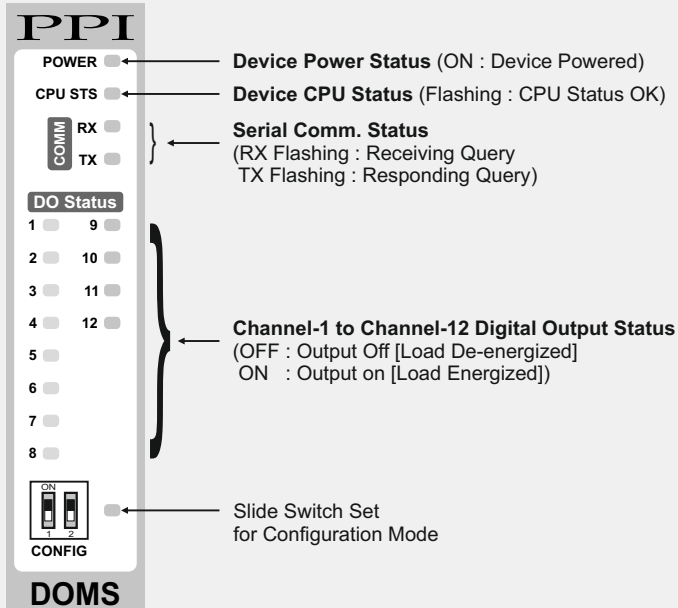
ELECTRICAL CONNECTIONS



DIGITAL OUTPUT CHANNELS



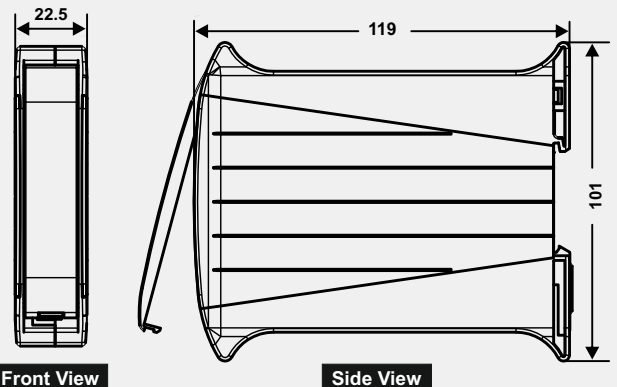
FRONT PANEL & CONFIGURATION MODE



Configuration Mode

Switch Position	Down	Up
Mode Indicator	OFF	ON
Operation Mode	Normal	Configuration
Communication Parameter Values	User Set values for Module Slave ID, Baud Rate & Parity	Module Slave ID : 1 Baud Rate : 9600 Parity : None

OVERALL DIMENSION



Width (W)	22.5 mm
Height (H)	101.0 mm
Depth (D)	119.0 mm