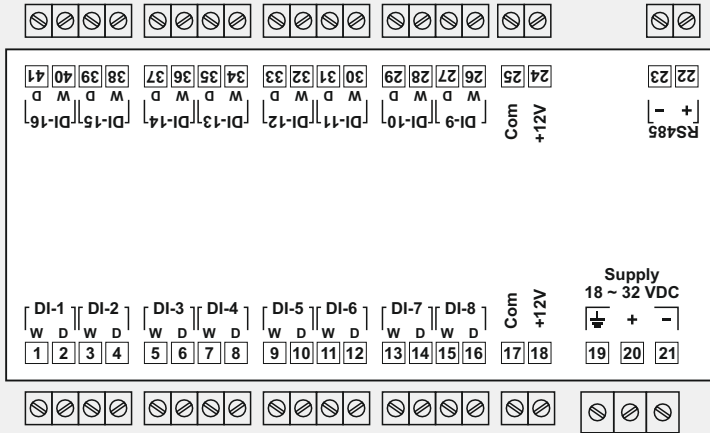
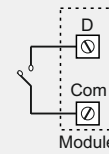


ELECTRICAL CONNECTIONS

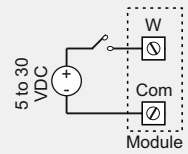


DIGITAL INPUT CHANNELS

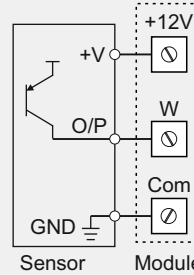
Dry Contact



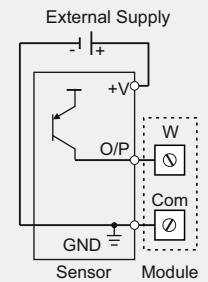
Voltage Level



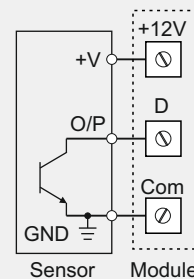
PNP Input (12V Internal Sensor Excitation)



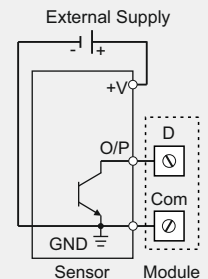
PNP Input (5 to 30VDC External Sensor Excitation)



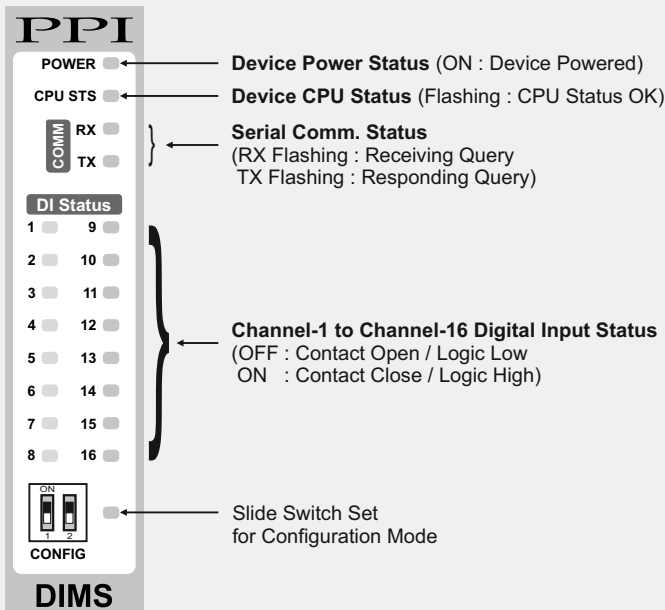
NPN Input (12V Internal Sensor Excitation)



NPN Input (5 to 30VDC External Sensor Excitation)



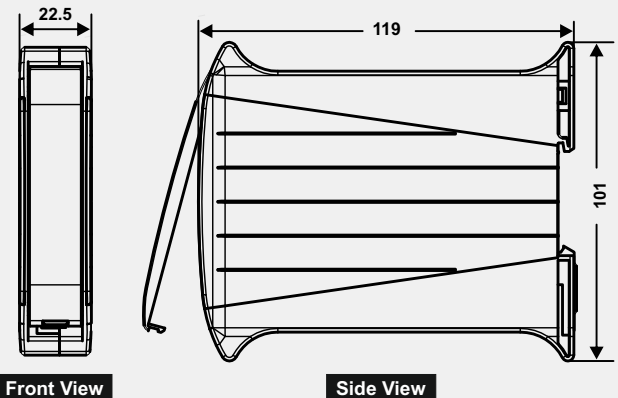
FRONT PANEL & CONFIGURATION MODE



Configuration Mode

| | | |
|--------------------------------|---|--|
| Switch Position | Down | Up |
| Mode Indicator | OFF | ON |
| Operation Mode | Normal | Configuration |
| Communication Parameter Values | User Set values for Module Slave ID, Baud Rate & Parity | Module Slave ID : 1 Baud Rate : 9600 Parity : None |

OVERALL DIMENSION



| | |
|------------|----------|
| Width (W) | 22.5 mm |
| Height (H) | 101.0 mm |
| Depth (D) | 119.0 mm |